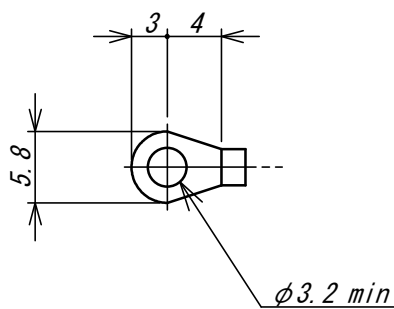


△ 【適合圧着端子】



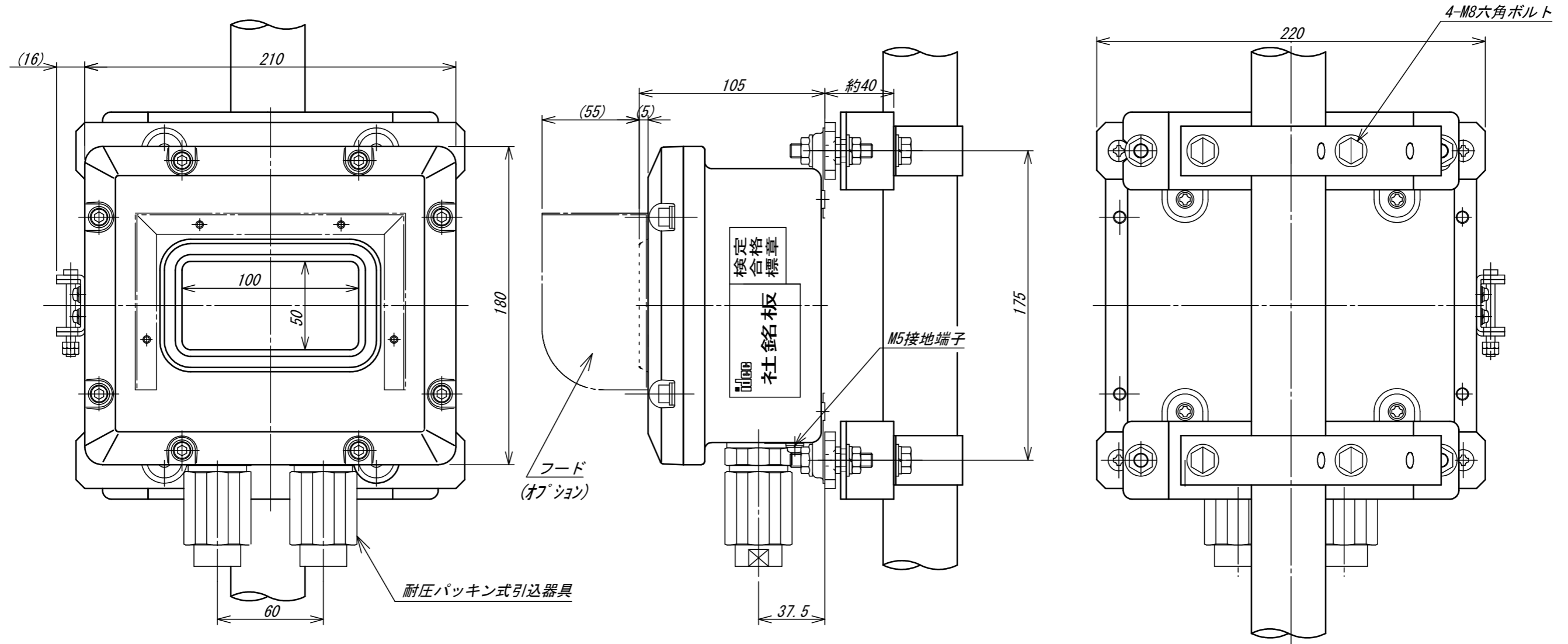
TSURUGA ELECTRIC CORPORATION All Rights Reserved.

|   |                              |                |                     |
|---|------------------------------|----------------|---------------------|
| REVISED   | DATE<br><i>Sep. 26, 2000</i> | APPROVED<br>BY | TITLE               |
|   | SCALE                        |                | CHECKED<br>BY       |
| △ Mar. 11, 2025 サイズ変更 山本<br>△ Sep. 3, 2015 Y. M | DESIGNED<br>BY               | DRAWN<br>BY    | DRAWING No.         |
|   | TSURUGA ELECTRIC CORPORATION |                | <i>FB-00523-2</i> / |

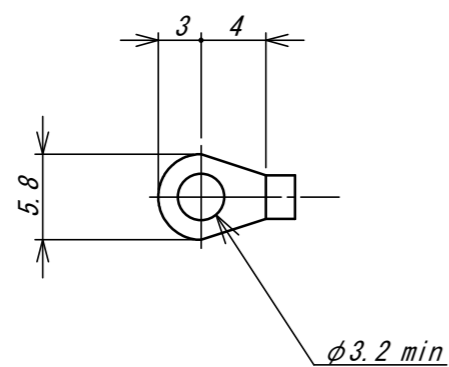
EX1R-D5  
耐圧防爆形表示器

*FB-00523-2* /

本図は、呼び径1・1/4鋼管に取り付けた例です。

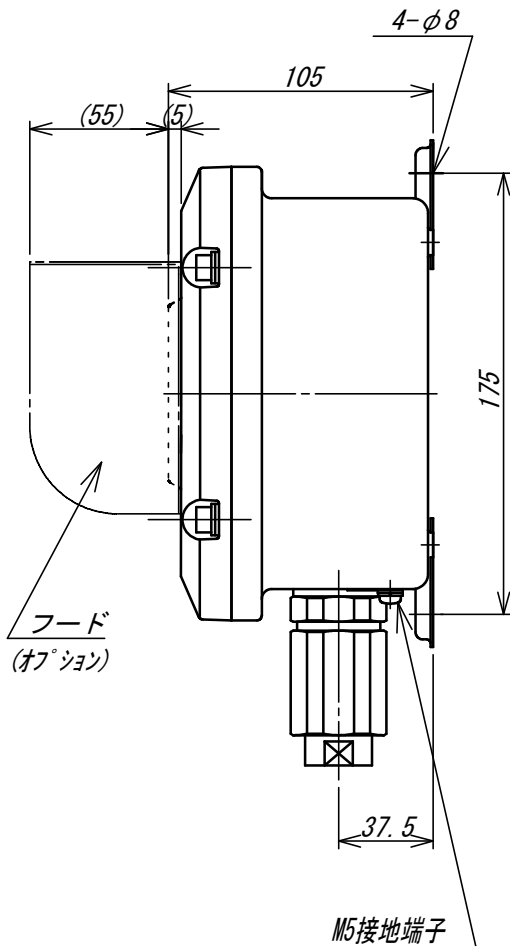
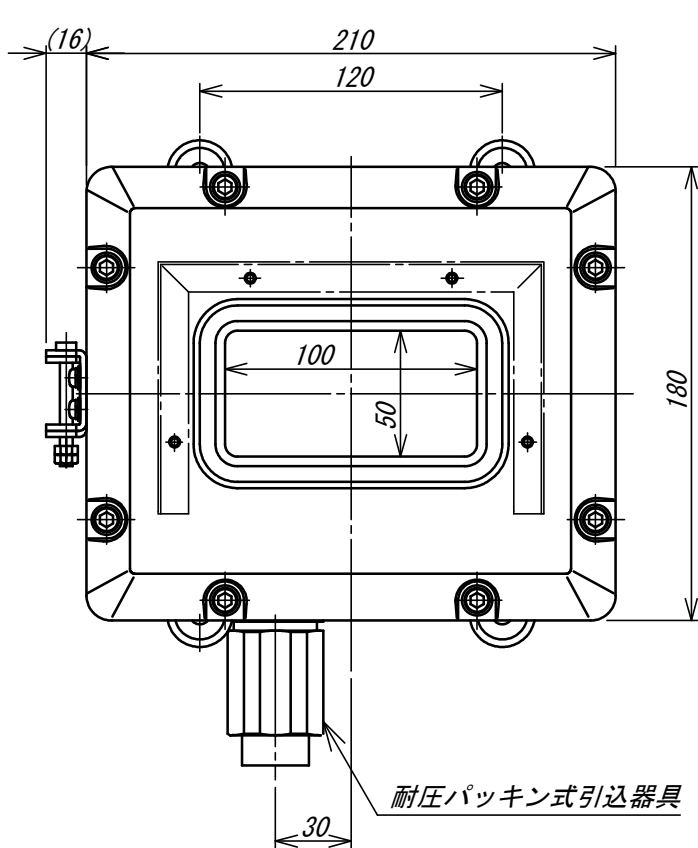


△ 【適合圧着端子】

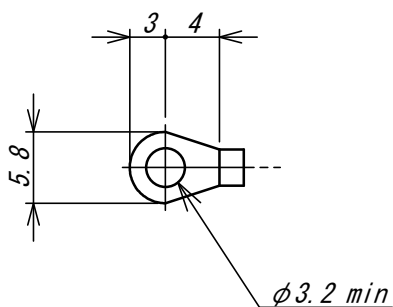


TSURUGA ELECTRIC CORPORATION All Rights Reserved.

|                          |                              |               |             |   |
|--------------------------|------------------------------|---------------|-------------|---|
| REVISED                  | DATE                         | Apr. 22. 2004 | APPROVED BY | TITLE<br>EX1R-D5<br>耐圧防爆形表示器<br>ポール取り付け外形図<br>DRAWING No.<br>FC-01229-1 |
|                          | SCALE                        |               | CHECKED BY  |   |
|                          | DESIGNED BY                  |               | DRAWN BY    |   |
|                          | TSURUGA ELECTRIC CORPORATION |               |             |   |
| △ Mar. 11. 2025 サイズ変更 山本 |                              |               |             | 1/1   |



⚠ 【適合圧着端子】



TSURUGA ELECTRIC CORPORATION All Rights Reserved.

|         |                              |                |                                    |                                  |
|---------|------------------------------|----------------|------------------------------------|----------------------------------|
| REVISED | DATE<br><i>Dec. 9, 2020</i>  | APPROVED<br>BY | TITLE<br>EX1R-D5-19B-0<br>耐圧防爆形表示器 |                                  |
|         | SCALE                        |                | CHECKED<br>BY                      | DRAWING No.<br><i>FB-00960-1</i> |
|         | DESIGNED<br>BY               | DRAWN<br>BY    | <i>1/1</i>                         |                                  |
|         | TSURUGA ELECTRIC CORPORATION |                |                                    |                                  |

⚠ Mar. 11. 2025 サイズ変更 山本