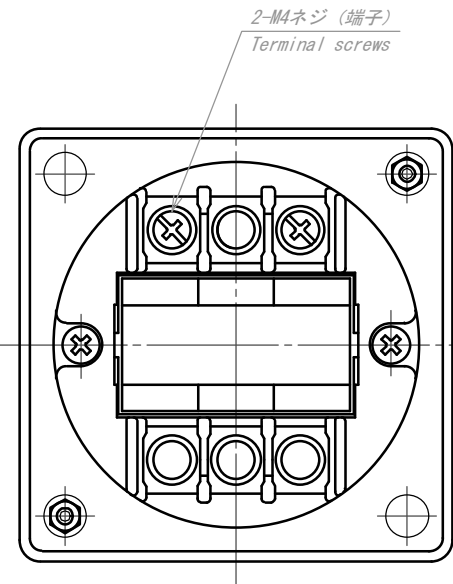
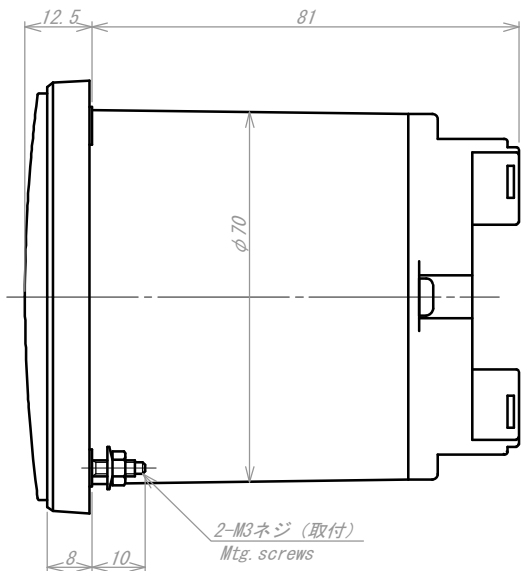
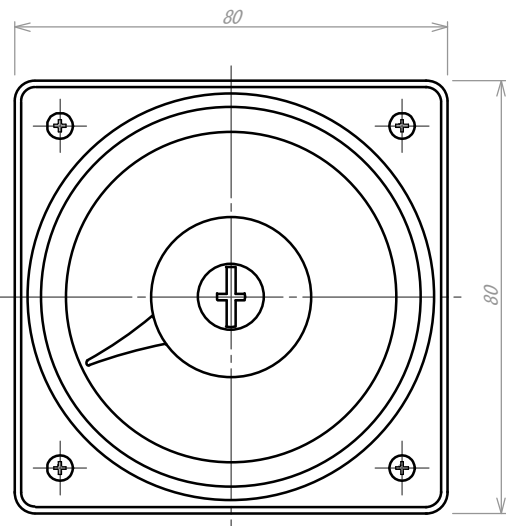
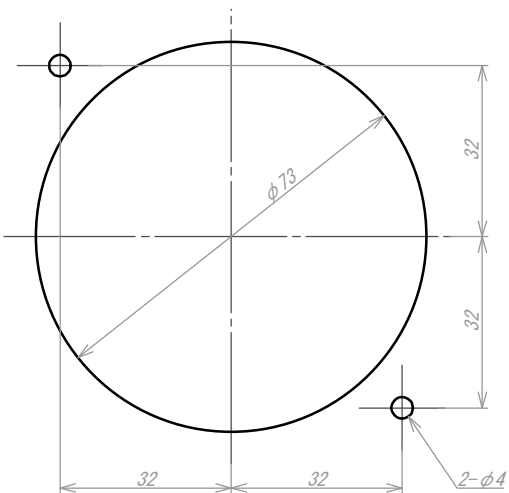


FC-01630

DRAWING No.



パネルカット寸法
PANEL CUT-OUT

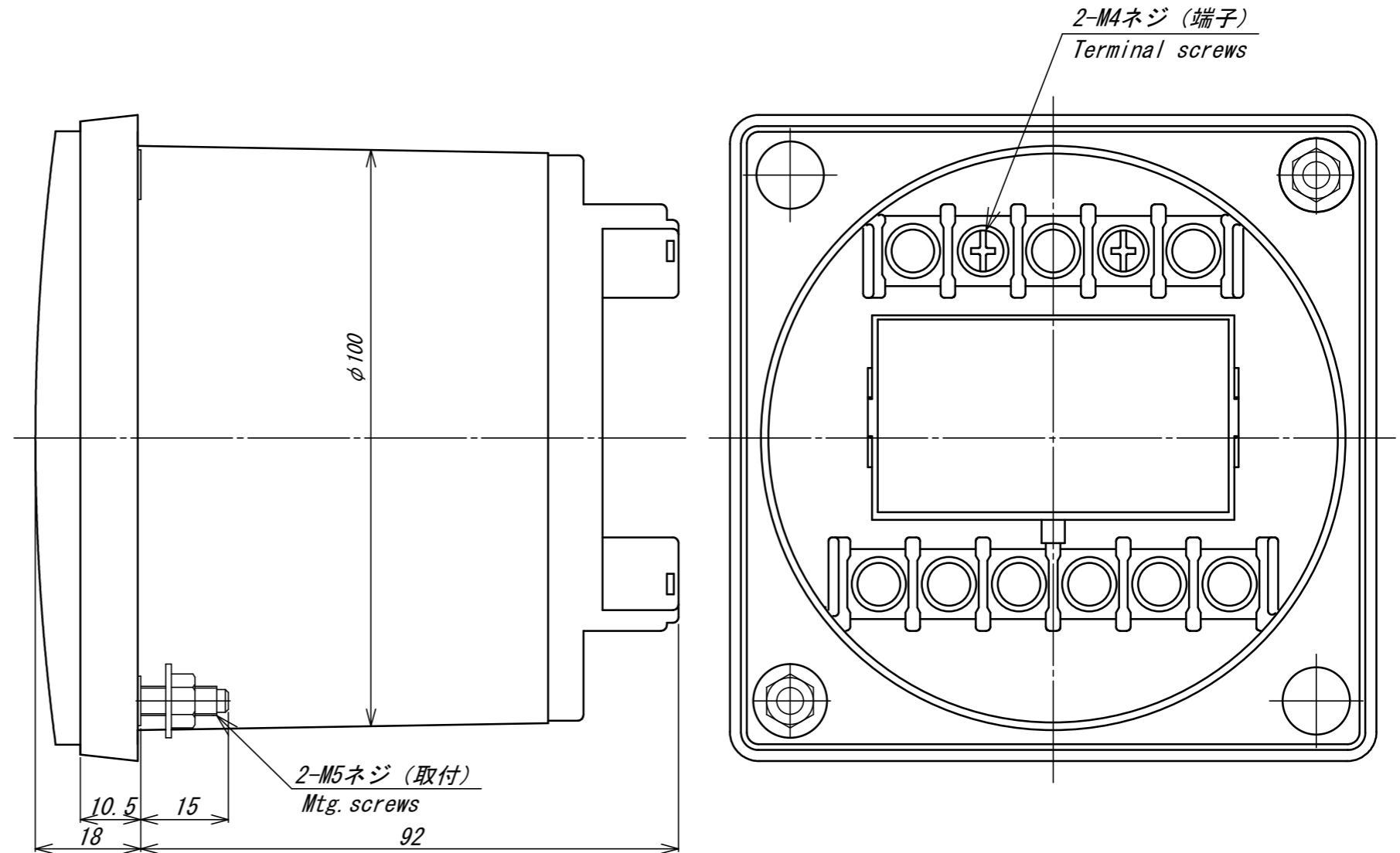
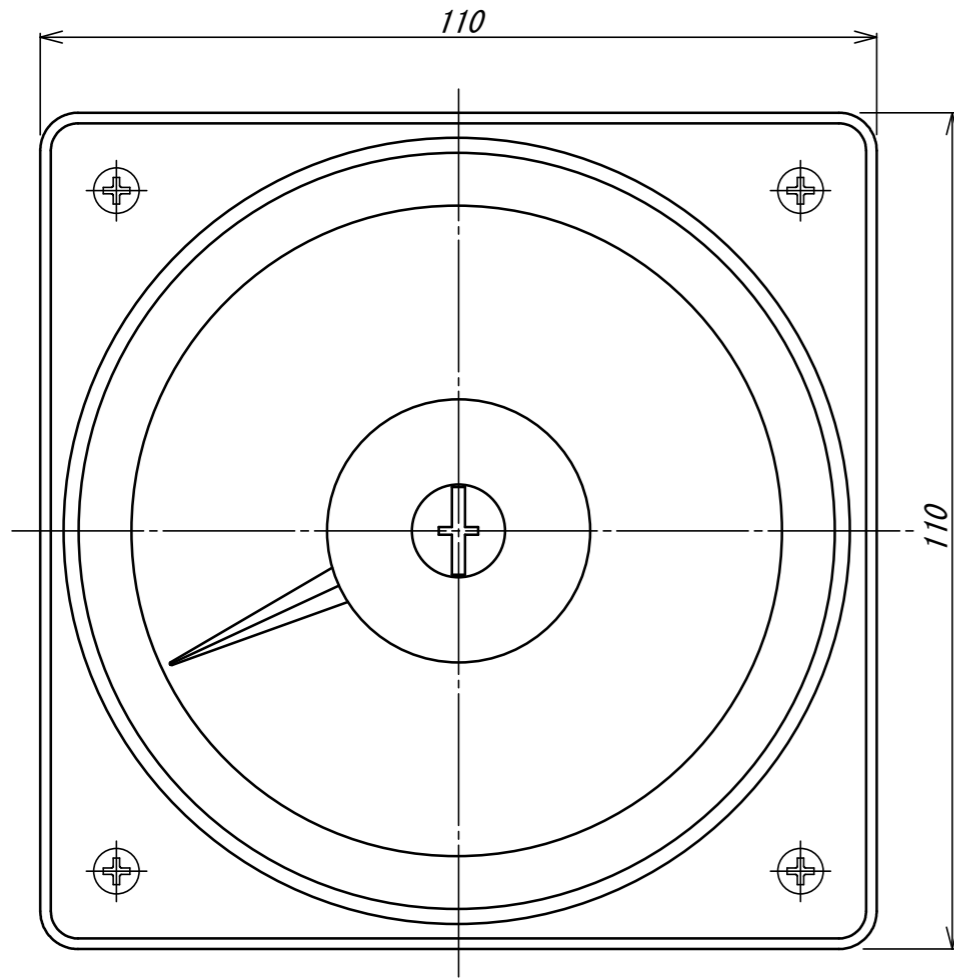


TSURUGA ELECTRIC CORPORATION. All rights reserved.

REVISED	DATE	Nov. 20, 2013	APPROVED BY	TITILE
	SCALE		CHECKED BY	T□W-80
	DESIGNED BY		DRAWN BY	DRAWING No.
	TSURUGA ELECTRIC CORPORATION			FC-01630

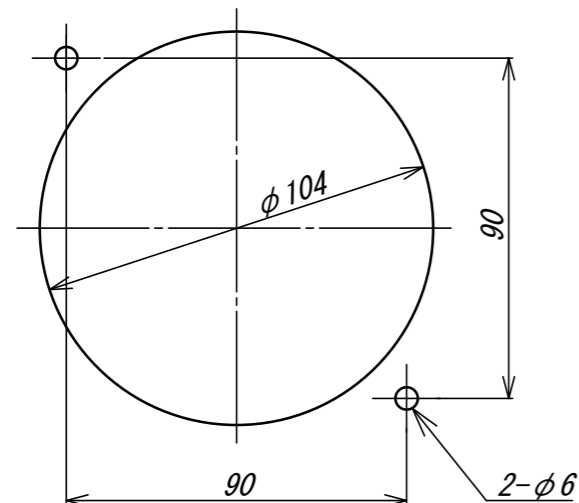
FC-01721

DRAWING No.



パネルカット寸法 : (1/2)

PANEL CUT-OUT : (1/2)



REVISED	DATE	Oct. 3, 2018	APPROVED BY	TITLE	T□W-110DA/AA
	SCALE	1 : 1	CHECKED BY		
	DESIGNED BY		DRAWN BY	DRAWING No.	FC-01721
	TSURUGA ELECTRIC CORPORATION				