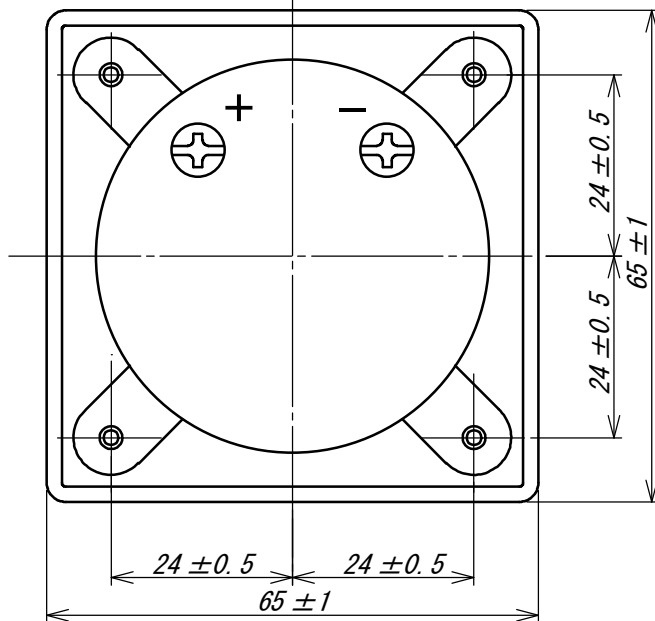
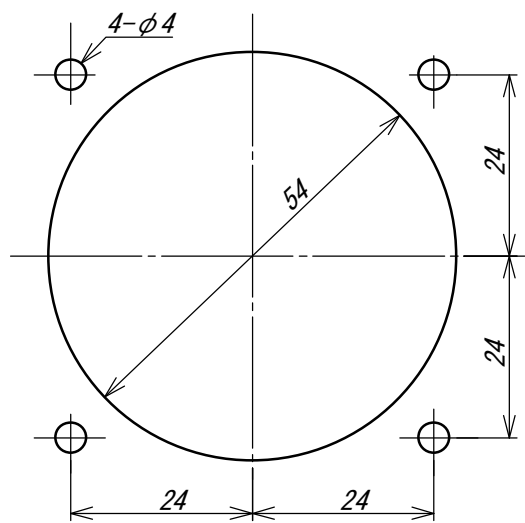


BACK VIEW

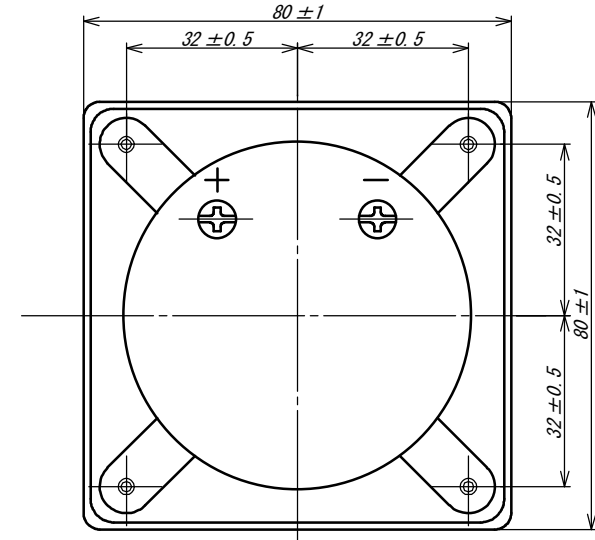
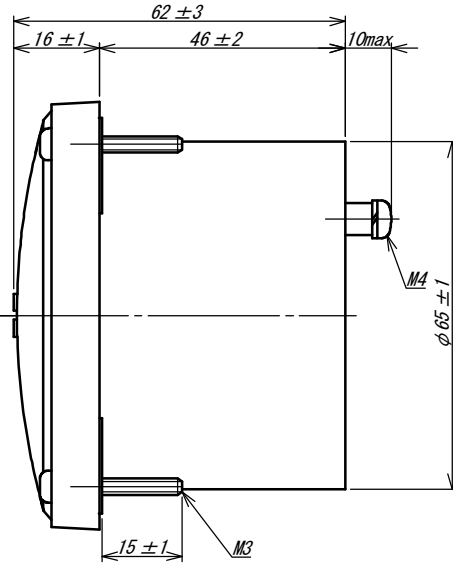
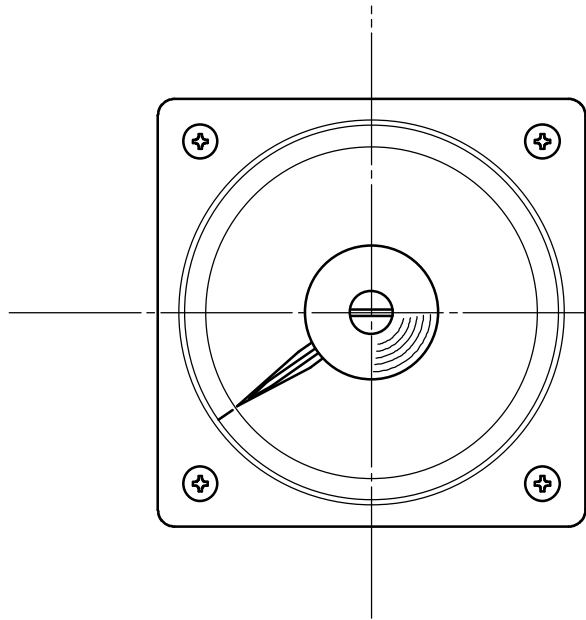


PANEL CUT-OUT

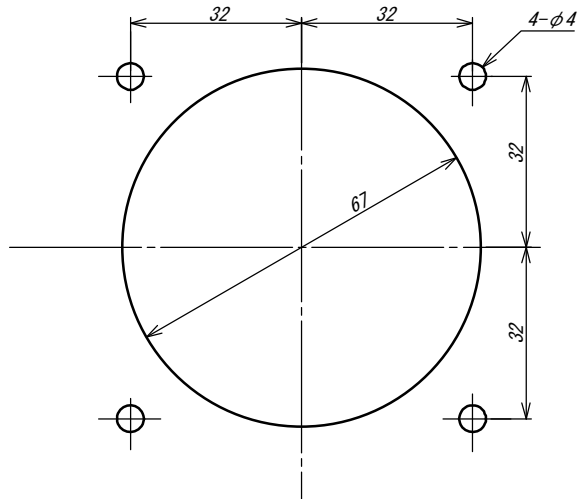


TSURUGA ELECTRIC CORPORATION. All rights reserved.

| | | | | | |
|---|------------------------------|---------------|-------------|--------------|-------------|
| REVISED | DATE | Oct. 14, 1991 | APPROVED BY | TITLE | T□W-2C |
| | SCALE | | CHECKED BY | | |
| ⚠ Jan. 19, 2013 H. Matsunami ⚠ Oct. 19, 1994 H. Fujimoto | DESIGNED BY | | DRAWN BY | H. Matsunami | DRAWING No. |
| | TSURUGA ELECTRIC CORPORATION | | | | FB-00261-2 |

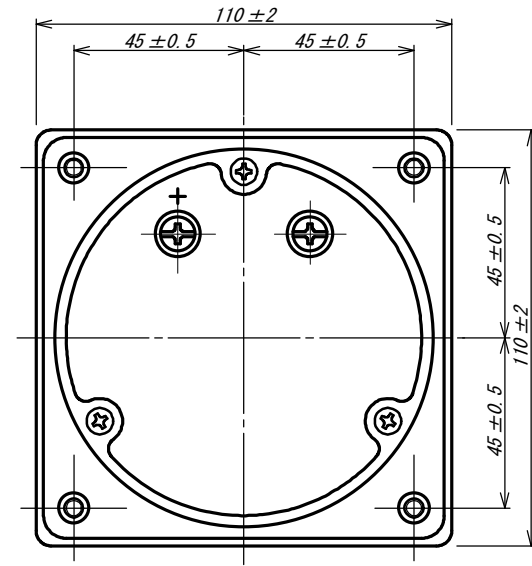
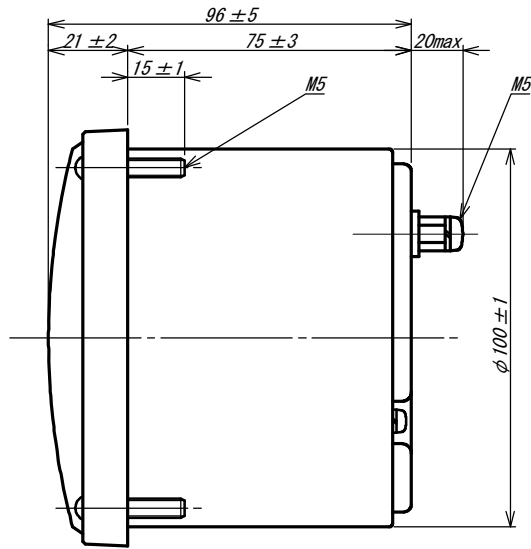
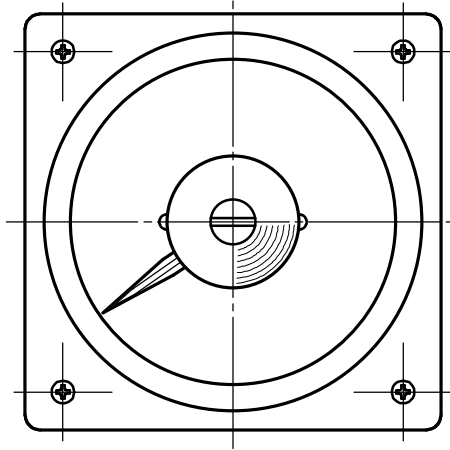


PANEL CUT-OUT

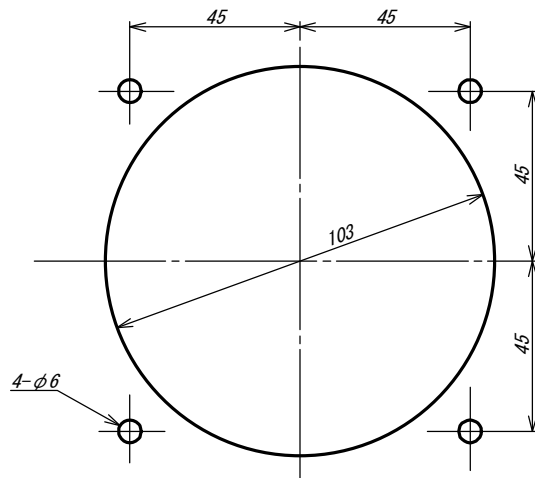


TSURUGA ELECTRIC CORPORATION. All rights reserved.

| | | | | |
|------------------------------|-------------|---------------|--------------|-------------|
| REVISED | DATE | Dec. 11. 2012 | APPROVED BY | TITLE |
| | SCALE | | CHECKED BY | T□W-25 |
| | DESIGNED BY | | DRAWN BY | DRAWING No. |
| | | | H. Matsunami | FC-01598 |
| TSURUGA ELECTRIC CORPORATION | | | | 1/1 |



PANEL CUT-OUT



| | | | |
|---|--------------|----------|-------------|
| REVISED | DATE | APPROVED | TITLE |
| | Sep. 3, 1990 | BY | |
| DESIGNED | SCALE | CHECKED | DRAWING No. |
| | | BY | |
| BY | BY | DRAWN | FC-00219-1 |
| | | BY | |
| TSURUGA ELECTRIC CORPORATION Nov. 2, 2004 S. Okano | | | |