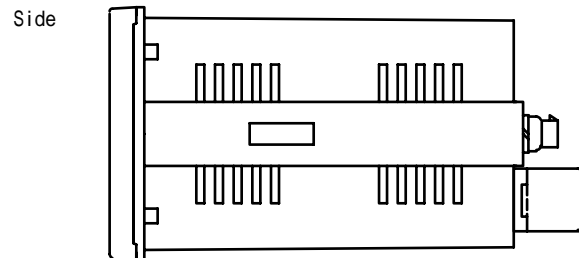
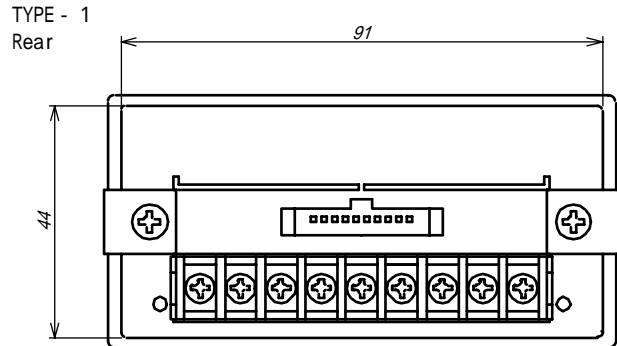
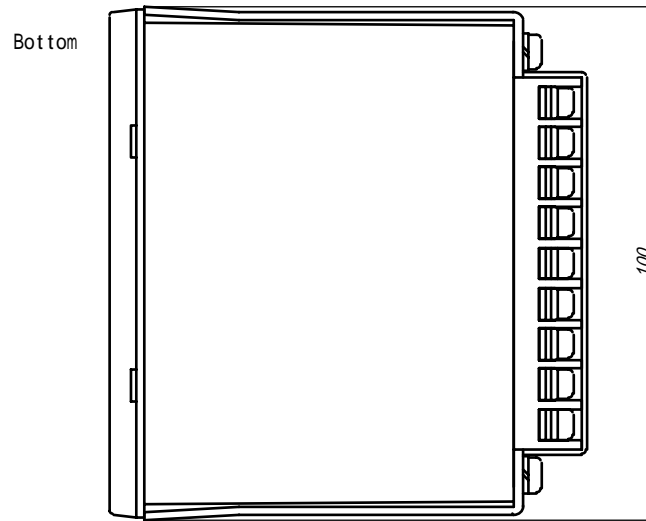
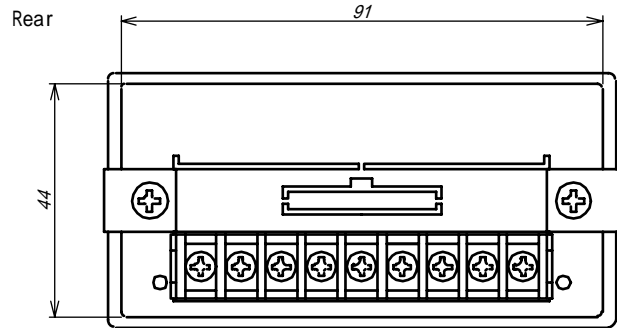
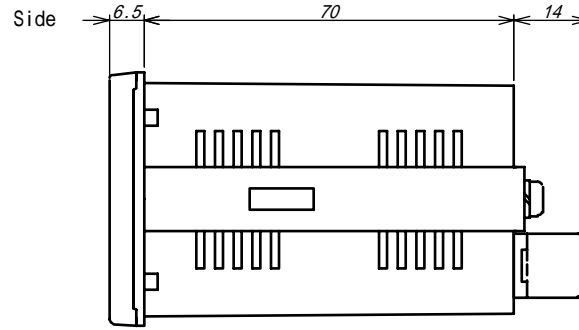


FC-01283

DRAWING NO.



Panel cut-out dimension $92^{+0.8} \times 45^{+0.6}$
Terminal screws : M3

TSURUGA ELECTRIC CORPORATION. All right.reserved.

REVISED	DATE	Jul. 25, 2005	APPROVED BY	TITLE
	SCALE		CHECKED BY	
	DESIGNED BY	S. Mayumi	DRAWN BY	DRAWING No.
			S. Mayumi	
TSURUGA ELECTRIC CORPORATION				