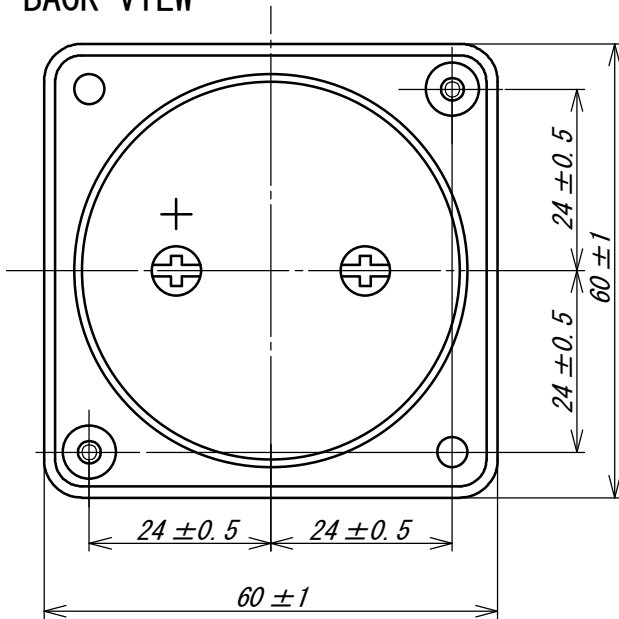
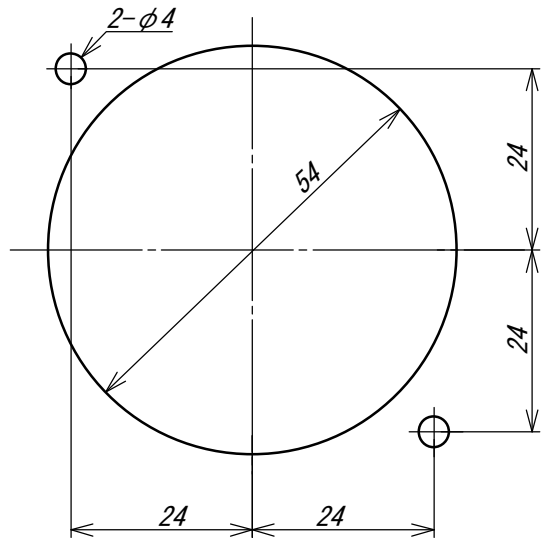


BACK VIEW

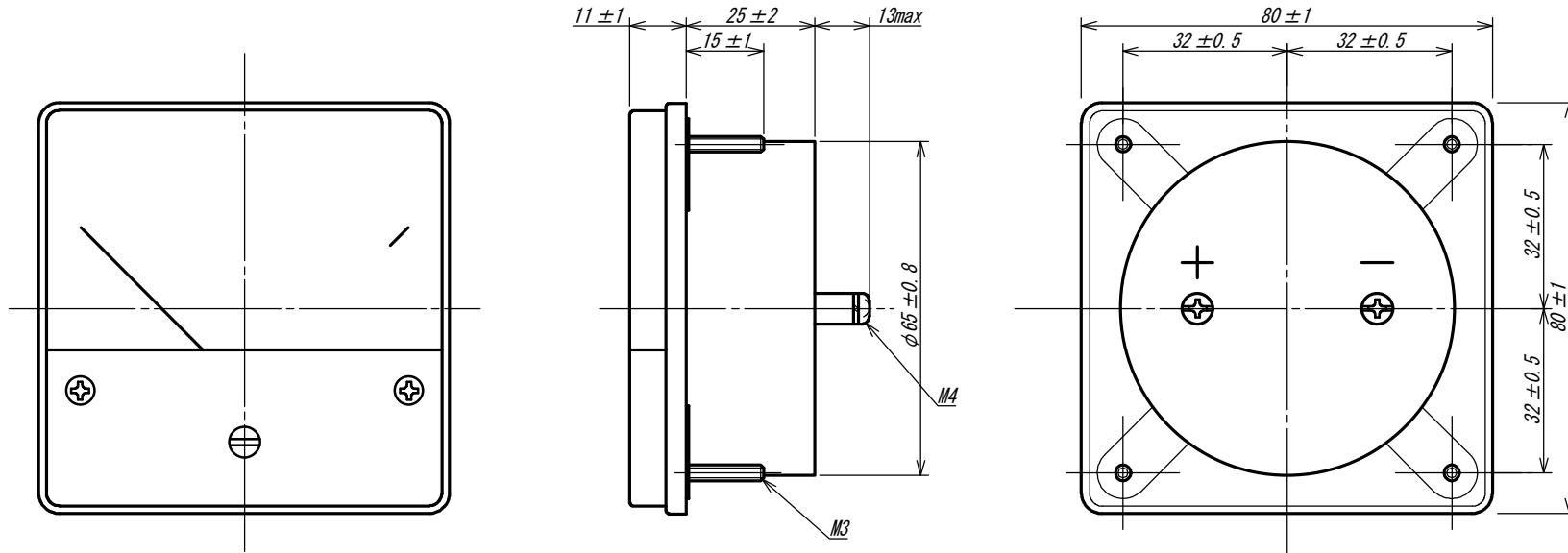


PANEL CUT-OUT

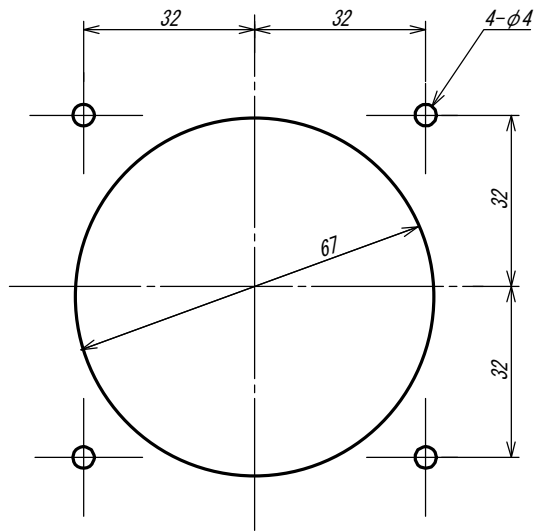


TSURUGA ELECTRIC CORPORATION. All rights reserved.

REVISED	DATE	Dec. 12. 2012	APPROVED BY	TITLE
	SCALE		CHECKED BY	
▲Jan. 19, 2013 H. Matsunami ▲Sep. 18, 1992 H. Hayashi ▲May. 27, 1992 M. Nishiura	DESIGNED BY		DRAWN BY	H. Matsunami
TSURUGA ELECTRIC CORPORATION				DRAWING No. FB-00272-3 1/1



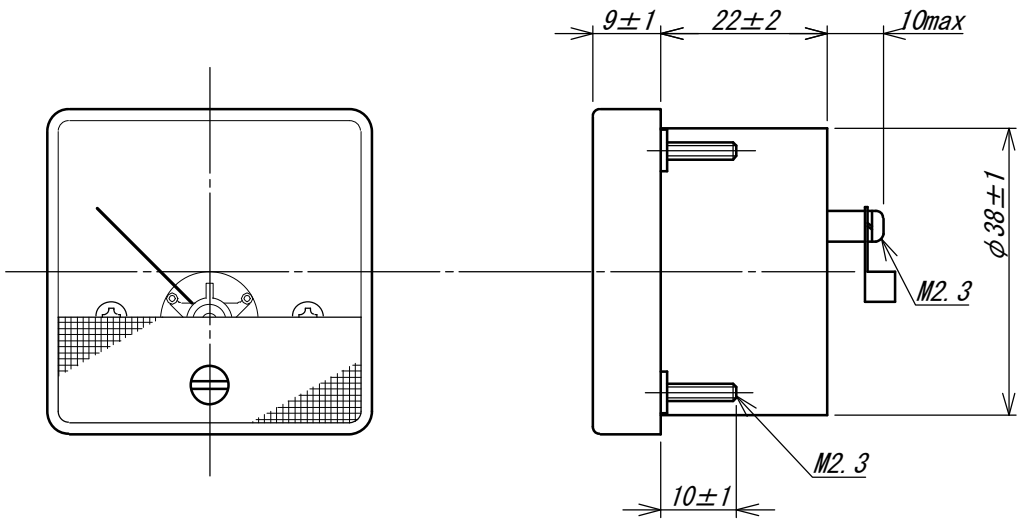
PANEL CUTOUT DIMENSION



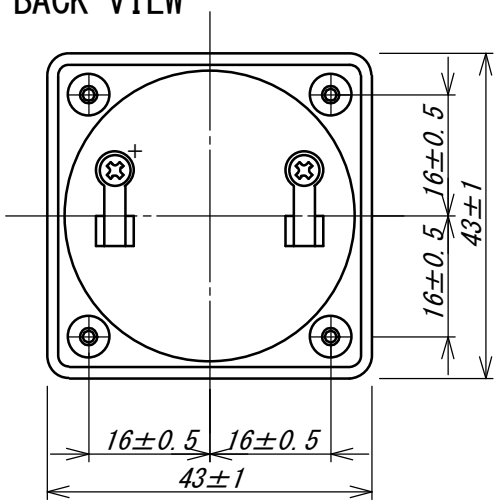
UNIT: mm

TSURUGA ELECTRIC CORPORATION. All rights reserved.

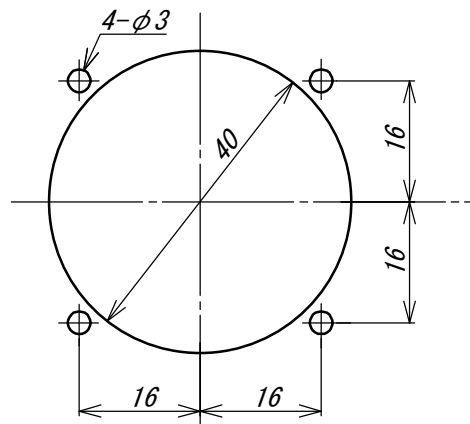
REVISED	DATE	Sep. 9, 1999	APPROVED BY	TITLE	T□RP-25
	SCALE		CHECKED BY		
	DESIGNED BY		DRAWN BY	DRAWING No.	FC-01067
	TSURUGA ELECTRIC CORPORATION				



BACK VIEW



PANEL CUT-OUT



REVISED

DATE *Nov. 30, 2015*

APPROVED BY

TITLE

SCALE

CHECKED BY

T□RD-43

DESIGNED BY

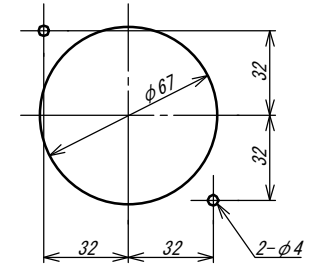
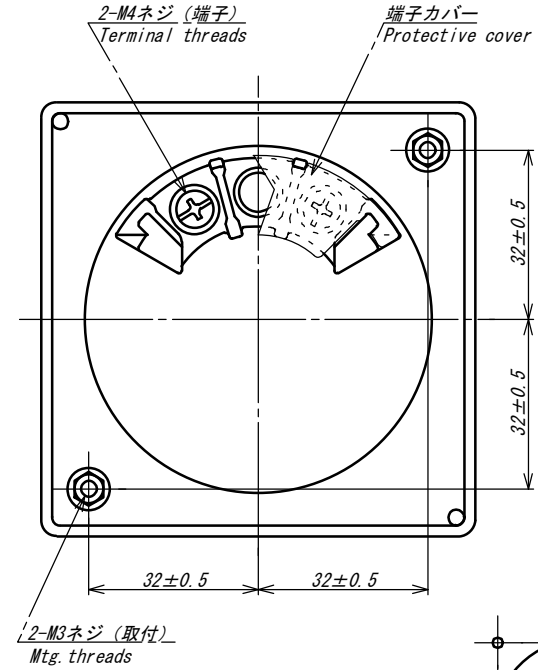
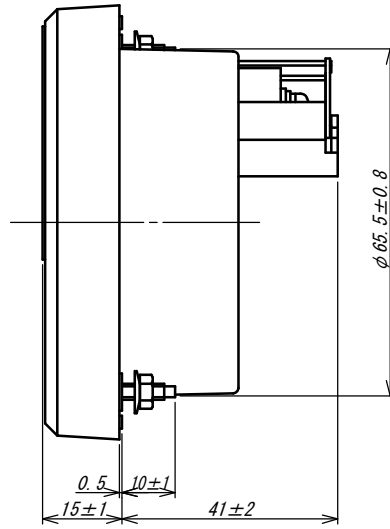
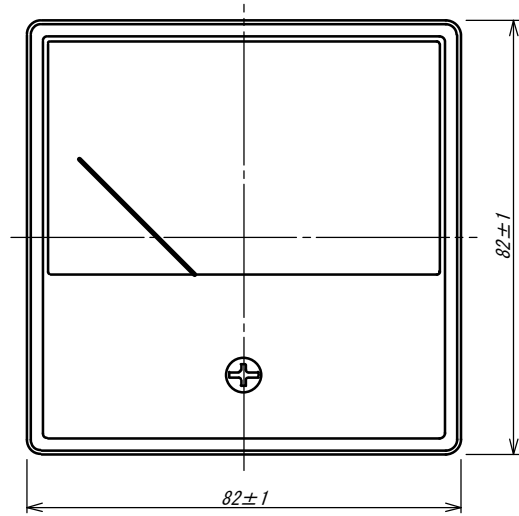
DRAWN BY *S. Okano*

DRAWING No. *FB-00888*

TSURUGA ELECTRIC CORPORATION

TSRp-80形交流電流計外形図オヨビ盤面穴明図

Outline dimension and drilling plan of TSP-80 meter



盤面穴明寸法図 (1/2)
(正面視図)

Panel drilling plan(1/2)
(front view)

REVISED	DATE	Mar. 30, 2016	APPROVED BY	S. Mayumi	TITLE	TSRp-80
	SCALE		CHECKED BY	S. Hayashi		
	DESIGNED BY		DRAWN BY	S. Okano		
	TSURUGA ELECTRIC CORPORATION			DRAWING No.		