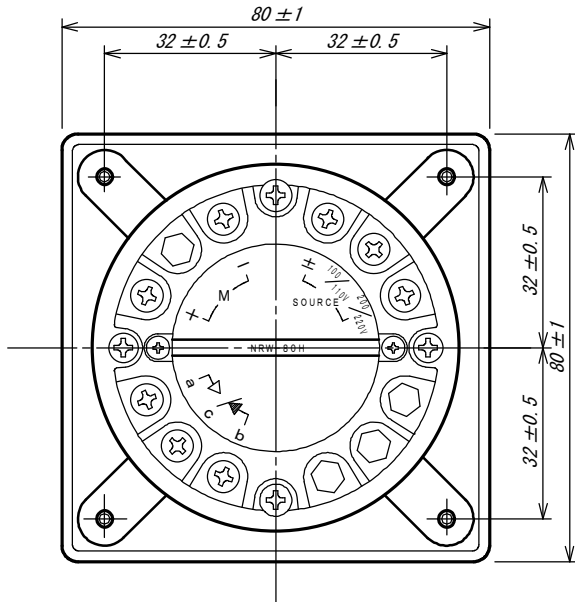


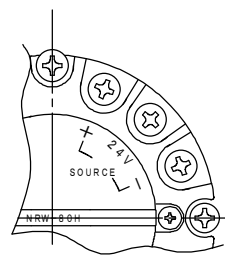
"H" DIMENSION

STANDARD (VOLTMETER, AMMETER & TACHOMETER)	0
AC AMMETER (RANGE 1A~5A)	30

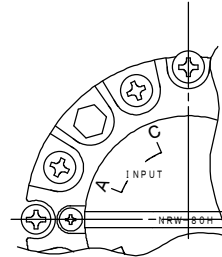
BACK VIEWS



TERMINALS LAYOUT FOR AC POWER SUPPLY

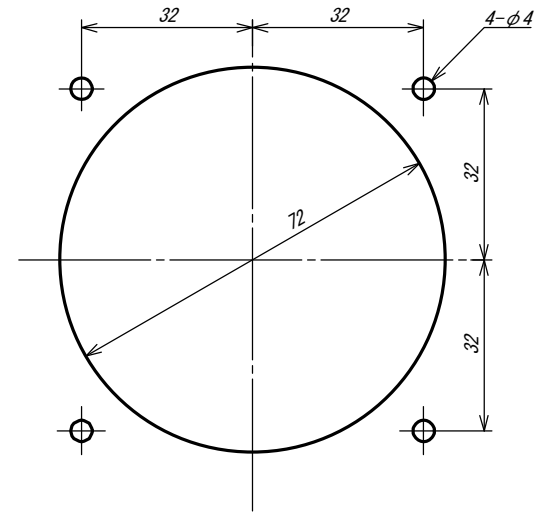


FOR DC POWER SUPPLY

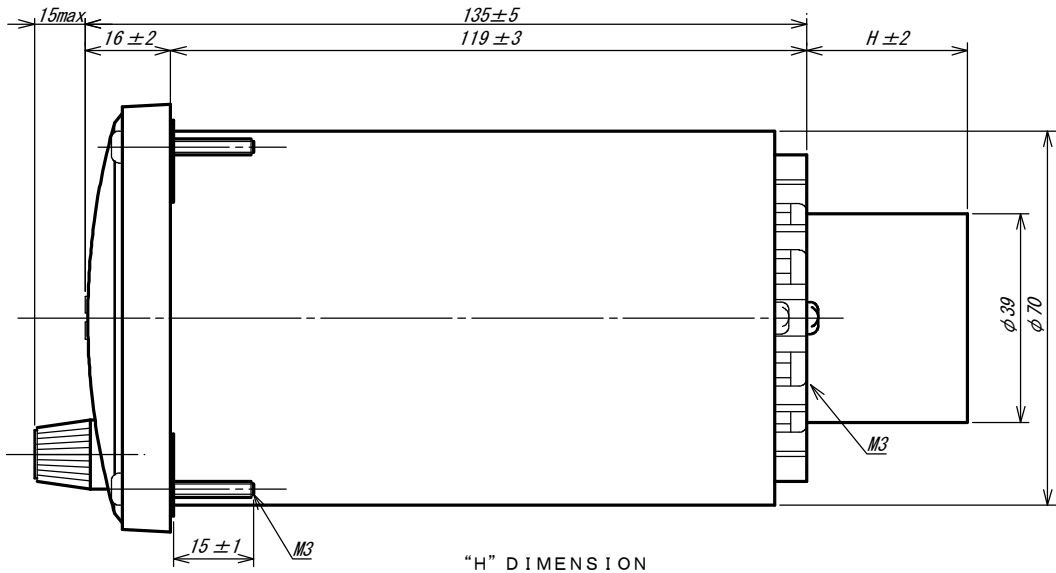
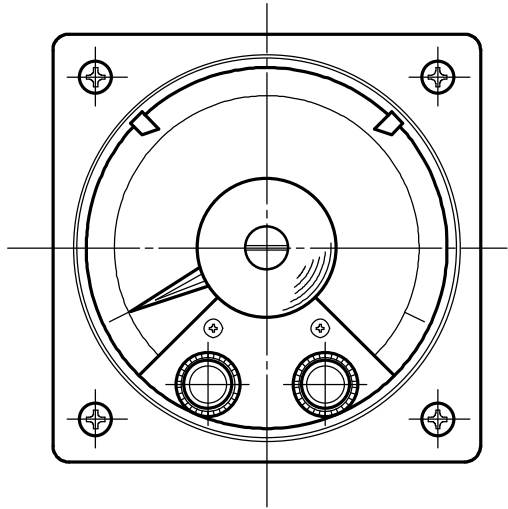


FOR AC INPUT

PANEL CUT-OUT DIMENSION



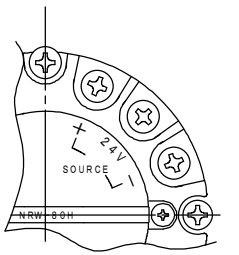
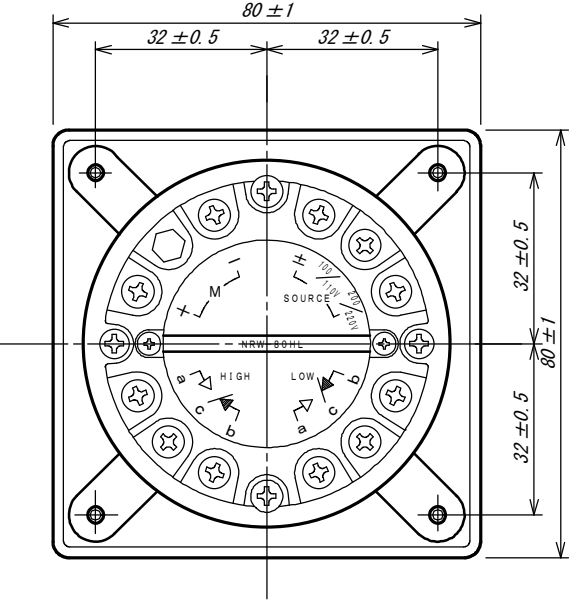
REVISED	DATE Dec. 5, 1991	APPROVED BY	TITLE NRW-80H
	SCALE	CHECKED BY	
	DESIGNED BY	DRAWN BY H. Matsunami	DRAWING No. FC-00376-1
	TSURUGA ELECTRIC CORPORATION		
Dec. 12, 2012 H. Matsunami		1/1	



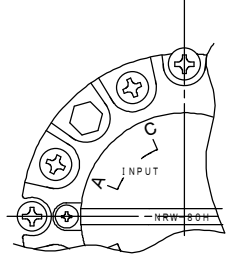
"H" DIMENSION

STANDARD (VOLTMETER, AMMETER & TACHOMETER)	0
AC AMMETER (RANGE 1A~5A)	30

BACK VIEWS

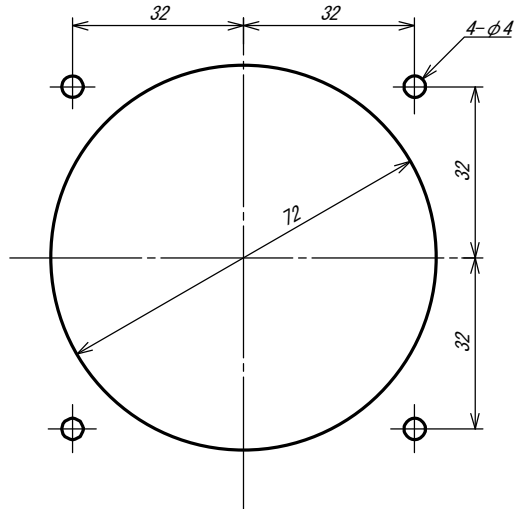


FOR DC POWER SUPPLY



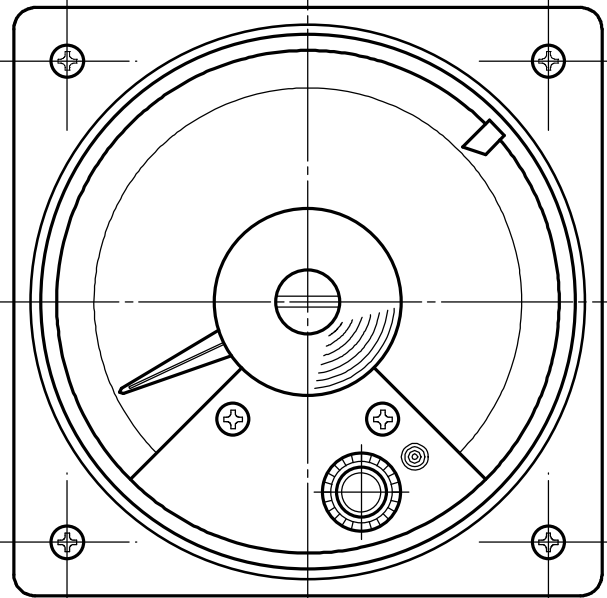
FOR AC INPUT

PANEL CUT-OUT DIMENSION



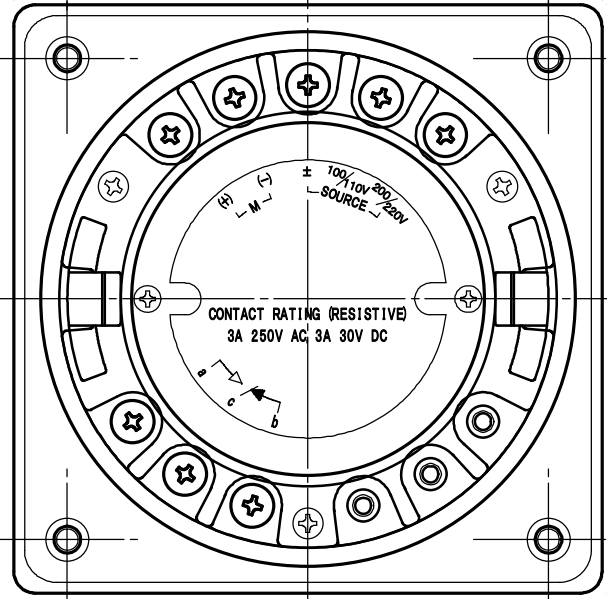
TERMINALS LAYOUT FOR AC POWER SUPPLY

REVISED	DATE	Dec. 5, 1991	APPROVED BY	TITLE
	SCALE		CHECKED BY	
	DESIGNED BY		DRAWN BY	
			H. Matsunami	
	TSURUGA ELECTRIC CORPORATION			DRAWING No.
	H. Matsunami			FC-00313-1
	Dec. 12, 2012			1/1



BACK VIEW

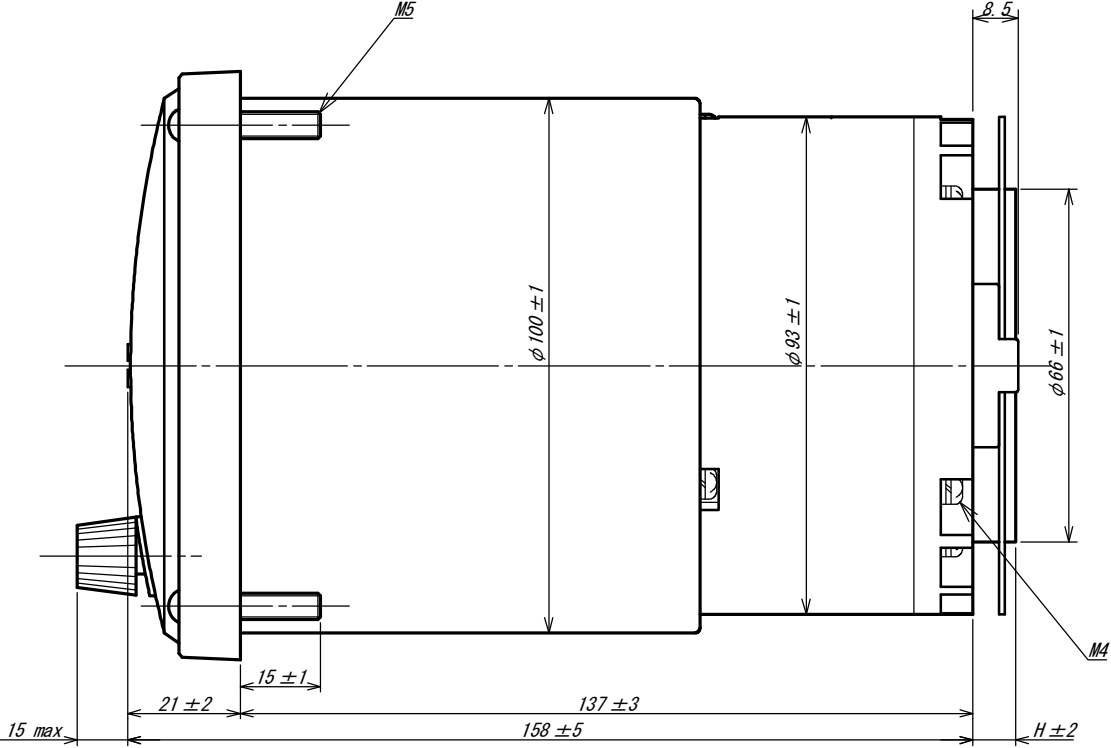
110 ± 2  
45 ± 0.5    45 ± 0.5



CONTACT RATING (RESISTIVE)  
3A 250V AC 3A 30V DC

± 100 10V 200 250V  
SOURCE

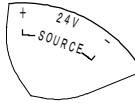
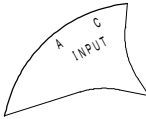
45 ± 0.5  
110 ± 2  
45 ± 0.5



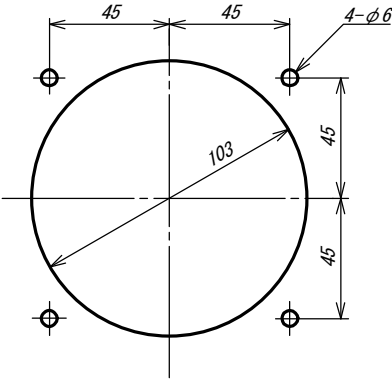
15 max    21 ± 2    15 ± 1    137 ± 3    158 ± 5    8.5    8.5    66 ± 1    H ± 2

FOR AC INPUT

FOR DC POWER SUPPLY



PANEL CUTOUT DIMENSION

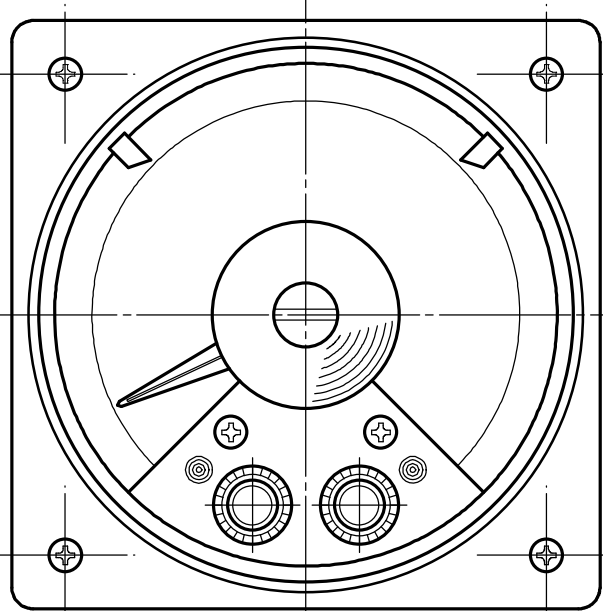


H DIMENSIONS

STANDARD (VOLTMETER, AMMETER & TACHOMETER)	8
WITH A BUILT-IN AMPLIFIER	19.5
AC AMMETER (RANGE 0.5A~5A)	31

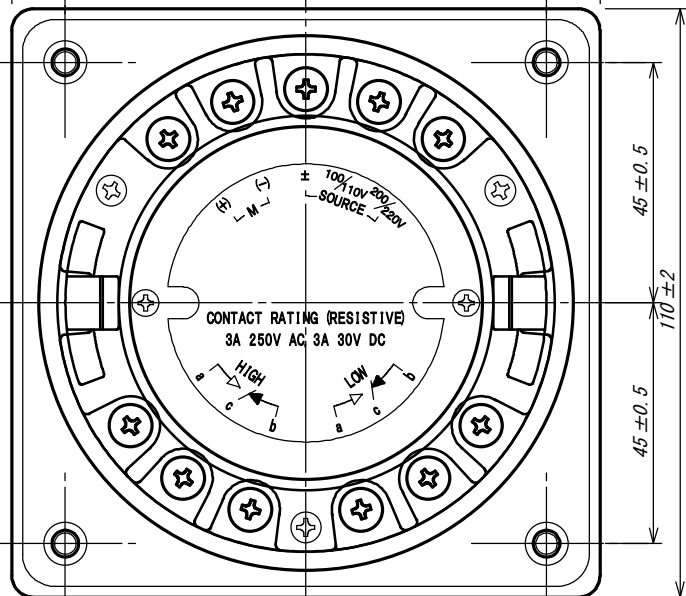
UNIT: mm

REVISED Oct. 16, 2000	DATE Dec. 16, 1998	APPROVED BY	TITLE NRW-110H
	SCALE	CHECKED BY	DRAWING No. FC-01017-1
	DESIGNED BY	DRAWN BY	
	TSURUGA ELECTRIC CORPORATION		



BACK VIEW

110 ± 2  
45 ± 0.5      45 ± 0.5

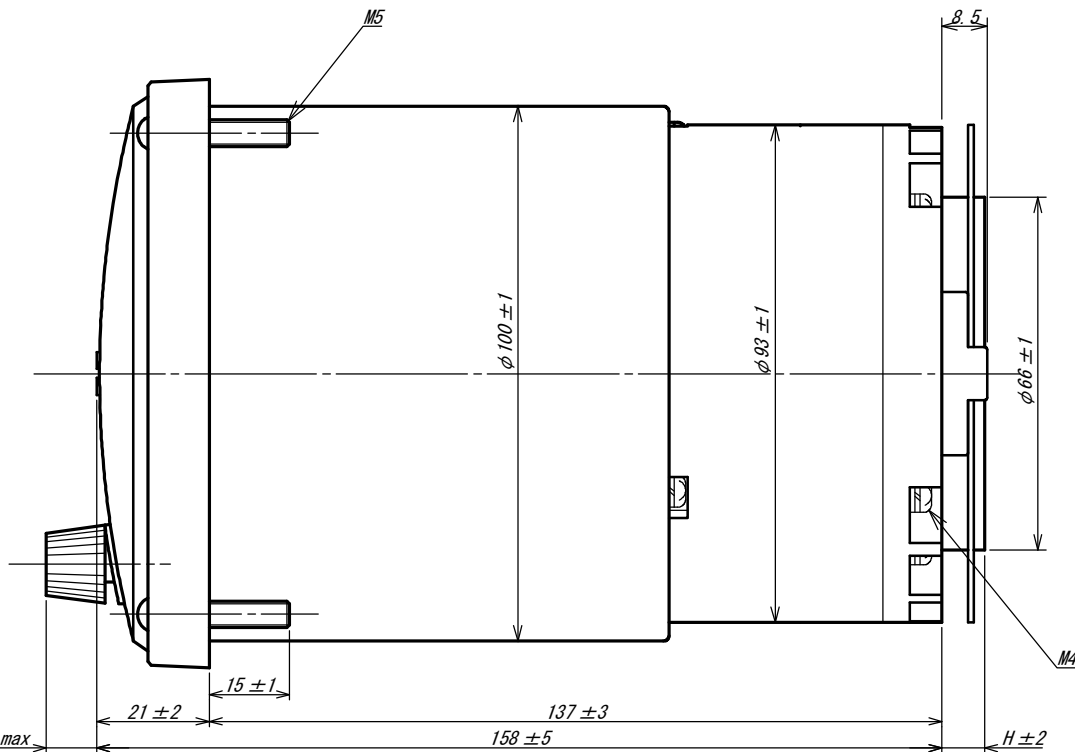


45 ± 0.5  
110 ± 2  
45 ± 0.5

± 100 10V 200 250V  
SOURCE

CONTACT RATING (RESISTIVE)  
3A 250V AC 3A 30V DC

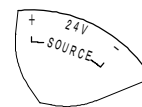
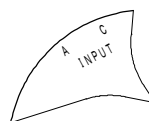
HIGH  
LOW



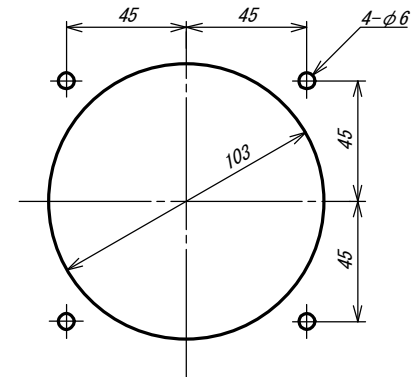
15 max      21 ± 2      15 ± 1      137 ± 3      158 ± 5      H ± 2  
φ100 ± 1      φ83 ± 1      φ66 ± 1      8.5

FOR AC INPUT

FOR DC POWER SUPPLY



PANEL CUTOUT DIMENSION



H DIMENSIONS

STANDARD (VOLTMETER, AMMETER & TACHOMETER)	8
WITH A BUILT-IN AMPLIFIER	19.5
AC AMMETER (RANGE 0.5A~5A)	31

UNIT: mm

REVISED	DATE	Sep. 29, 1998	APPROVED BY	TITLE	NRW-110HL
	SCALE		CHECKED BY		
	DESIGNED BY		DRAWN BY		
	BY		BY		
Oct. 16, 2000	TSURUGA ELECTRIC CORPORATION			DRAWING No.	FC-01010-1