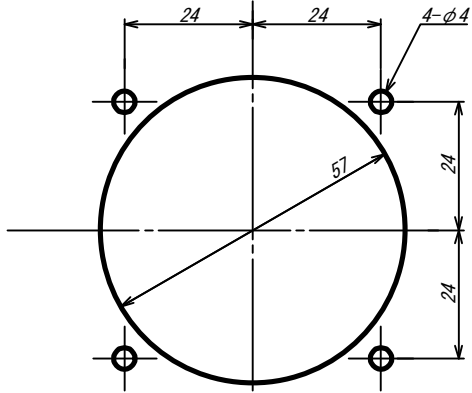
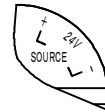
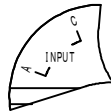


PANEL CUTOUT DIMENSION



FOR AC INPUT

FOR DC POWER SUPPLY



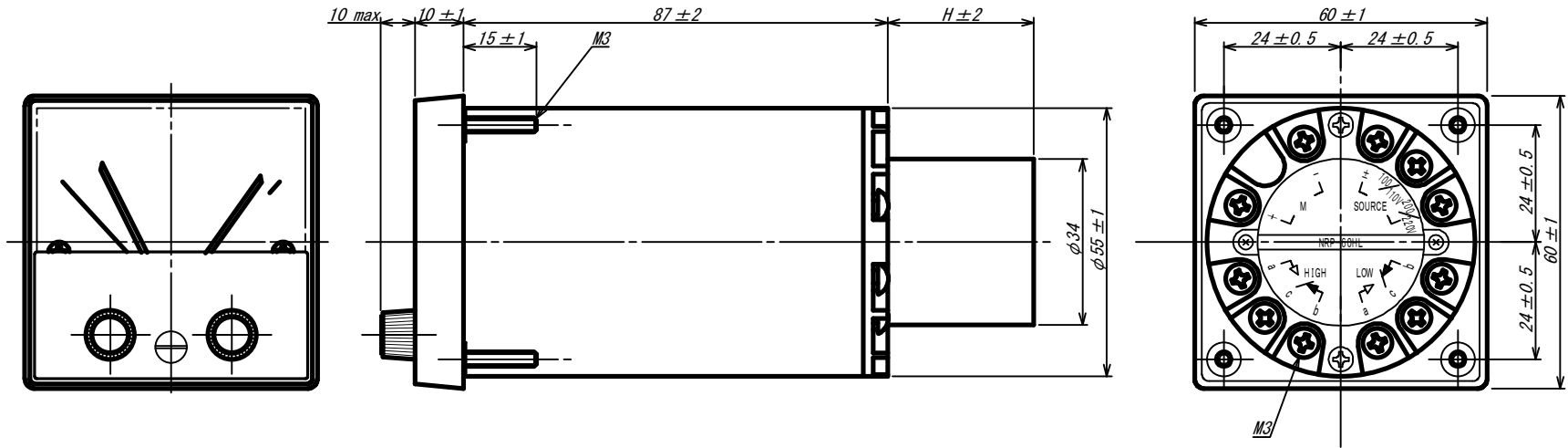
H DIMENSIONS

DC VOLTMETER	0
DC AMMETER	
AC VOLTMETER	
AC AMMETER	
TACHOMETER	
AC AMMETER (R.M.S.-responding)	30

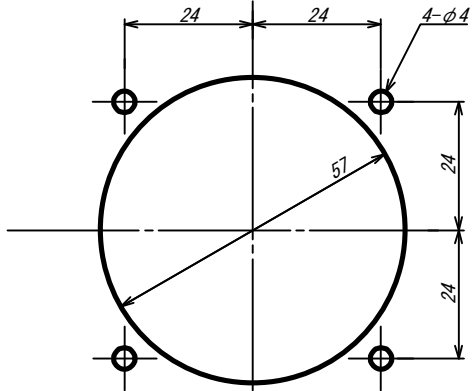
UNIT: mm

TSURUGA ELECTRIC CORPORATION. All rights reserved.

REVISED	DATE	Mar. 26, 1990	APPROVED BY	TITLE
	SCALE		CHECKED BY	
	DESIGNED BY		DRAWN BY	
	BY		BY	
May. 6, 1999 H. Hayashi			TSURUGA ELECTRIC CORPORATION	DRAWING No.
				FC-00183-1

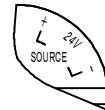
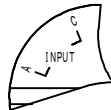


PANEL CUTOUT DIMENSION



FOR AC INPUT

FOR DC POWER SUPPLY



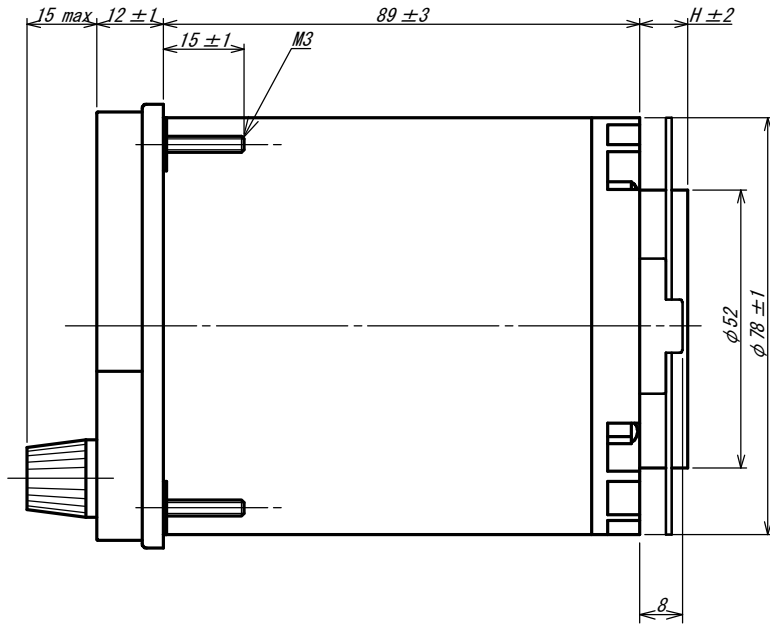
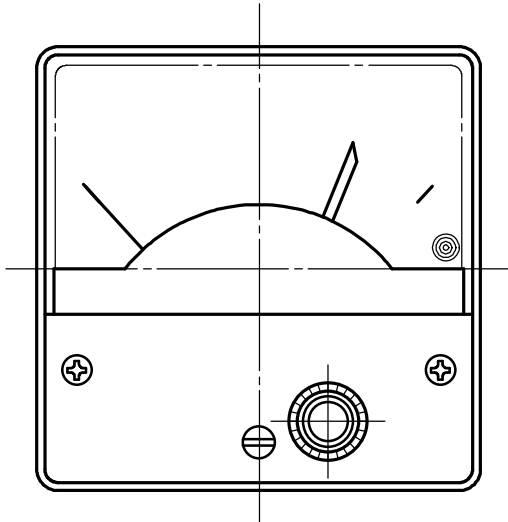
H DIMENSIONS

DC VOLTMETER	0
DC AMMETER	
AC VOLTMETER	
AC AMMETER	
TACHOMETER	
AC AMMETER (R.M.S.-responding)	30

UNIT: mm

TSURUGA ELECTRIC CORPORATION. All rights reserved.

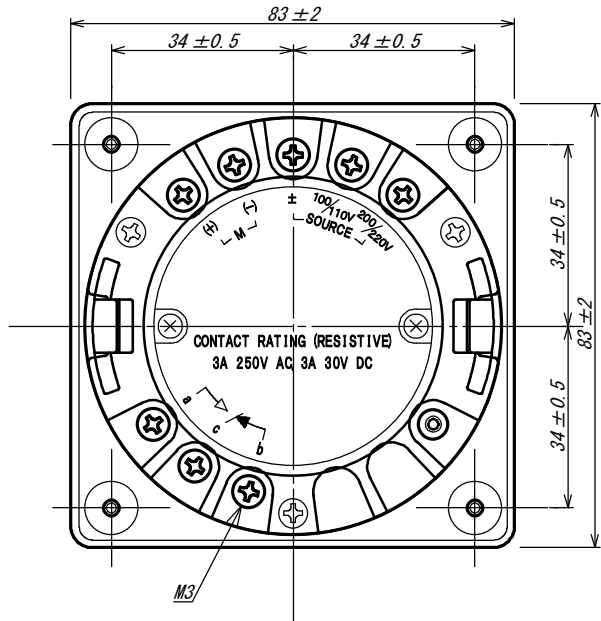
REVISED	DATE	APPROVED BY	TITLE
	Mar. 26, 1990		
	SCALE	CHECKED BY	DRAWING No.
	DESIGNED BY	DRAWN BY	
May. 6, 1999 H. Hayashi TSURUGA ELECTRIC CORPORATION			



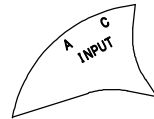
H DIMENSIONS

DC VOLTMETER	0
DC AMMETER	
AC VOLTMETER	
AC AMMETER	8
TACHOMETER	
AC AMMETER (R.M.S.-responding)	32

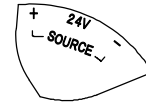
BACK VIEW



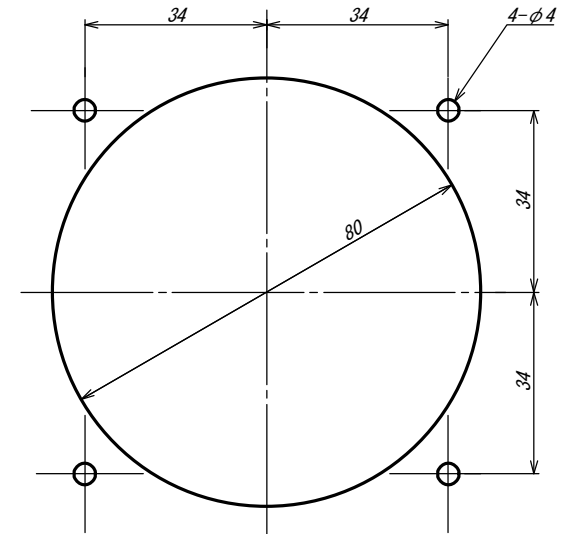
FOR AC INPUT



FOR DC POWER SUPPLY



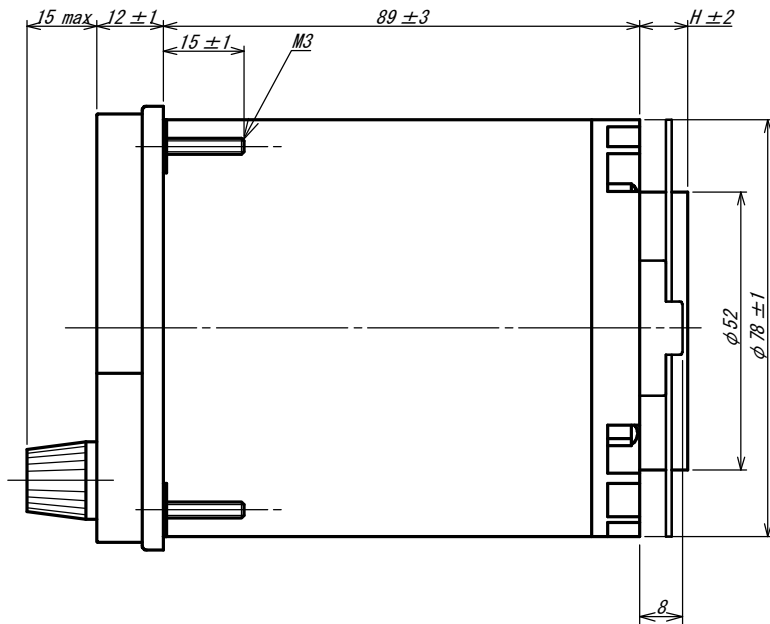
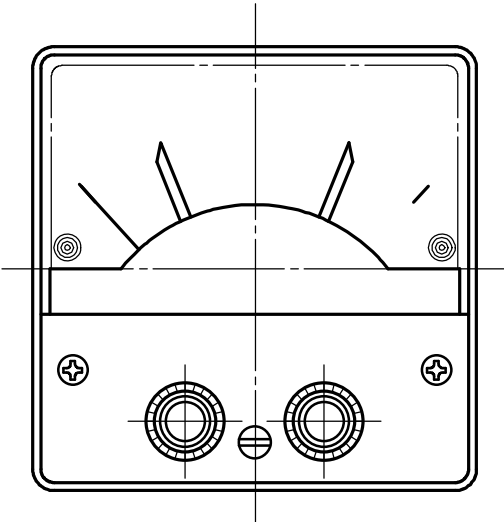
PANEL CUTOUT DIMENSION



UNIT: mm

TSURUGA ELECTRIC CORPORATION. All rights reserved.

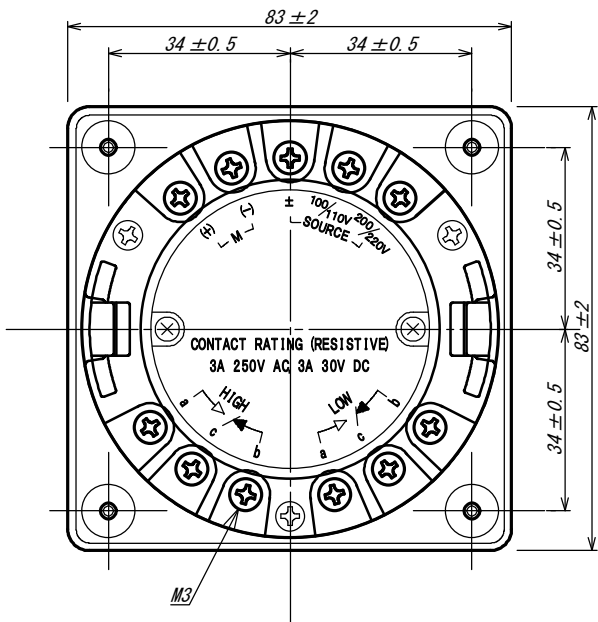
REVISED	DATE	APPROVED BY	TITLE
	Apr. 22, 1999		
	SCALE	CHECKED BY	DRAWING No.
DESIGNED BY	DRAWN BY	TSURUGA ELECTRIC CORPORATION	
Dec. 26, 2000			
Oct. 16, 2000			



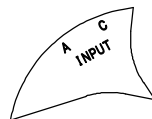
H DIMENSIONS

DC VOLTMETER	0
DC AMMETER	
AC VOLTMETER	8
AC AMMETER	
TACHOMETER	
AC AMMETER (R.M.S.-responding)	32

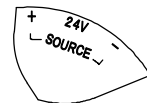
BACK VIEW



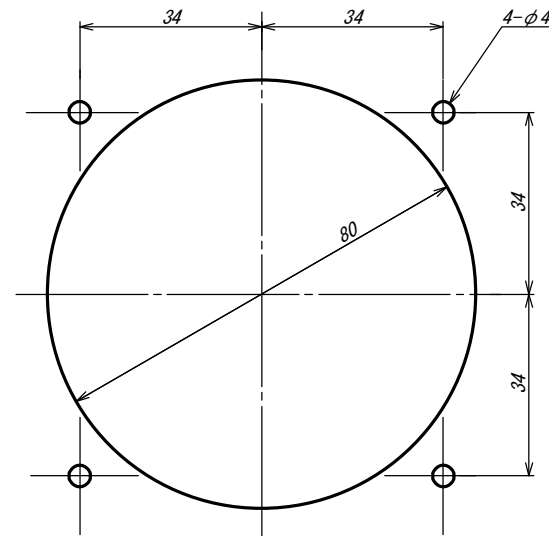
FOR AC INPUT



FOR DC POWER SUPPLY



PANEL CUTOUT DIMENSION



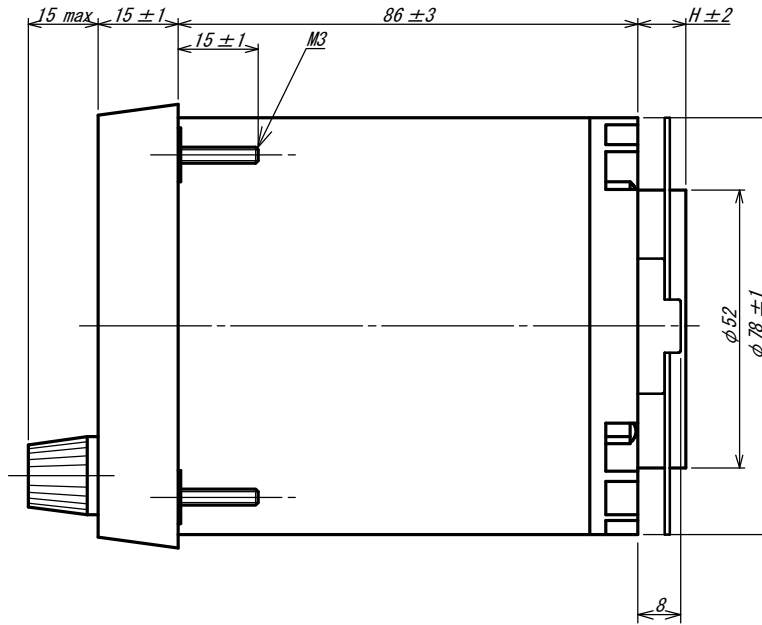
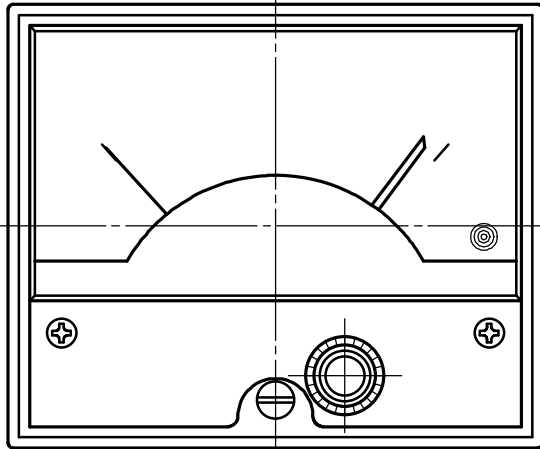
UNIT: mm

TSURUGA ELECTRIC CORPORATION. All rights reserved.

REVISED	DATE	APPROVED BY	TITLE
	Apr. 22, 1999		
	SCALE	CHECKED BY	
	DESIGNED BY	DRAWN BY	
	TSURUGA ELECTRIC CORPORATION		DRAWING No.
			FC-01037-1

Oct. 16, 2000

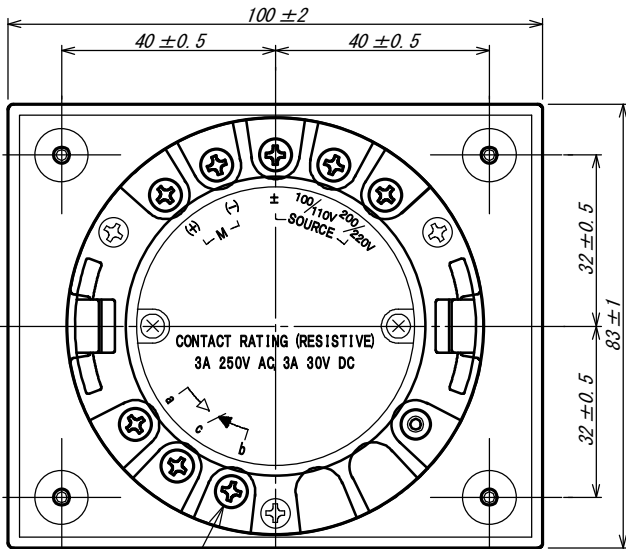
NRP-83HL



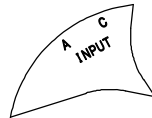
H DIMENSIONS

DC VOLTMETER	0
DC AMMETER	
AC VOLTMETER	
AC AMMETER	8
TACHOMETER	
AC AMMETER (R.M.S.-responding)	32

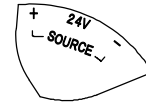
BACK VIEW



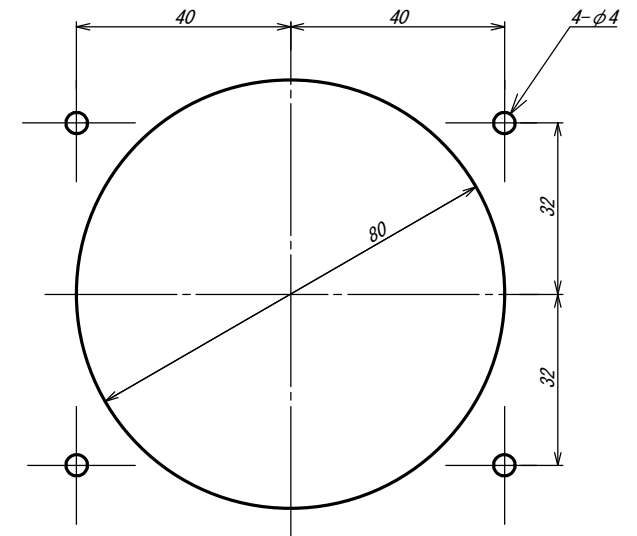
FOR AC INPUT



FOR DC POWER SUPPLY



PANEL CUTOUT DIMENSION

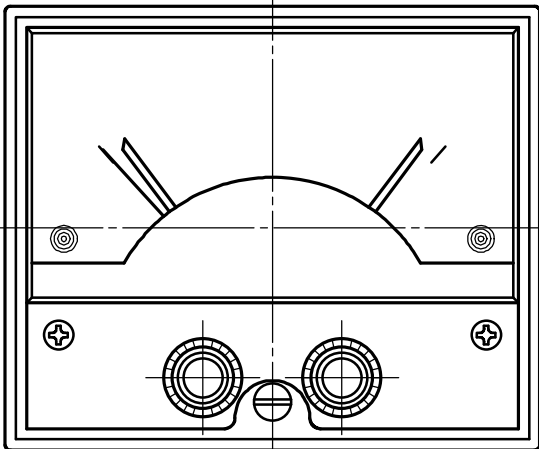


UNIT: mm

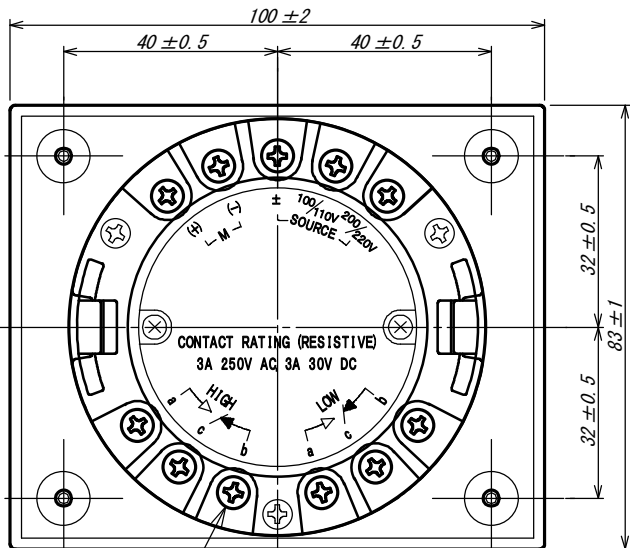
TSURUGA ELECTRIC CORPORATION. All rights reserved.

REVISED	DATE Apr. 22, 1999	APPROVED BY	TITLE NRC-100H
	SCALE	CHECKED BY	DRAWING No. FC-01042-1
	DESIGNED BY	DRAWN BY	
	TSURUGA ELECTRIC CORPORATION		

Oct. 16, 2000

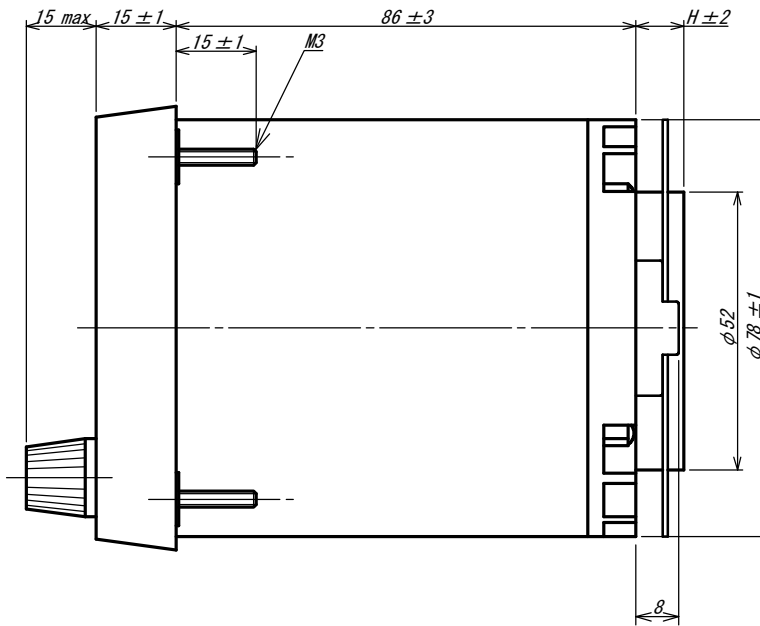


BACK VIEW



M3

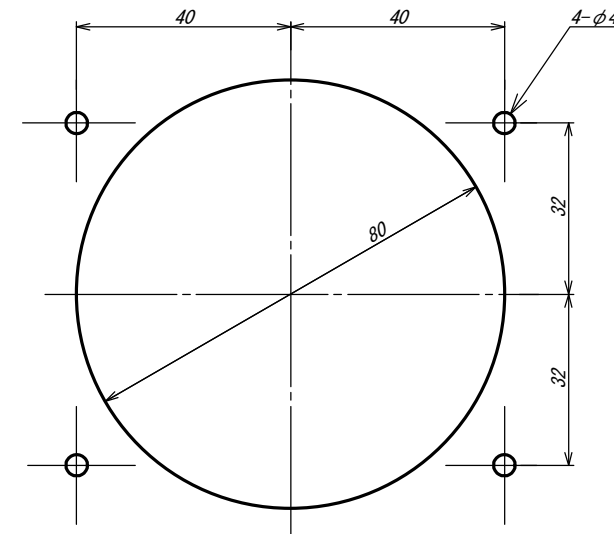
TSURUGA ELECTRIC CORPORATION. All rights reserved.



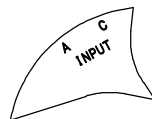
H DIMENNSIONS

DC VOLTMETER	0
DC AMMETER	
AC VOLTMETER	
AC AMMETER	8
TACHOMETER	
AC AMMETER (R.M.S.-responding)	32

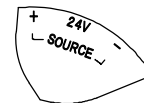
PANEL CUTOUT DIMENSION



FOR AC INPUT



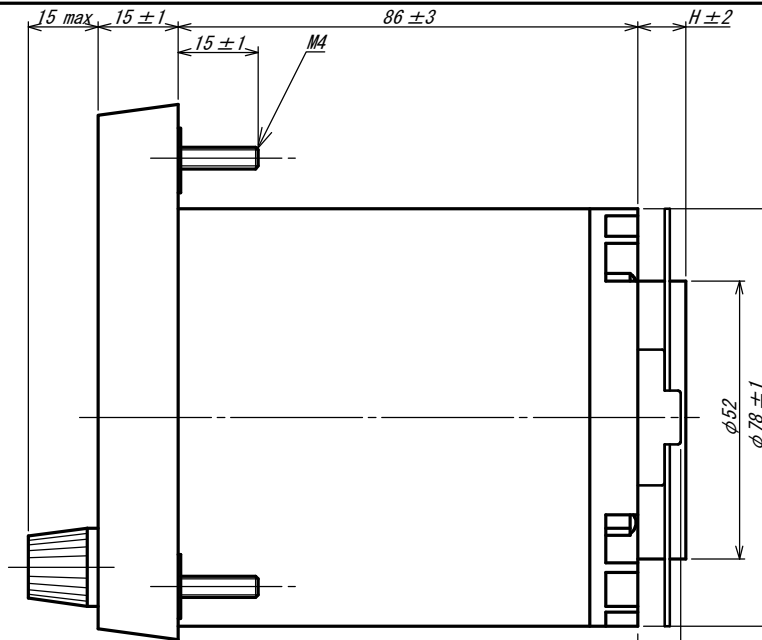
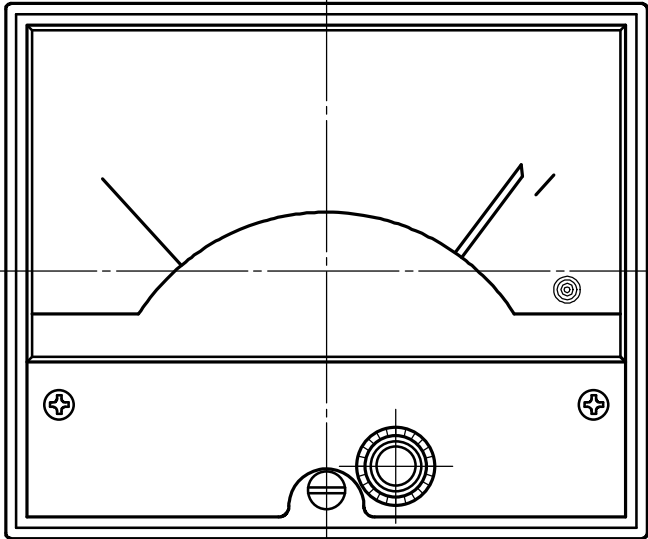
FOR DC POWER SUPPLY



UNIT: mm

REVISED	DATE Apr. 22, 1999	APPROVED BY	TITLE NRC-100HL
	SCALE	CHECKED BY	DRAWING No. FC-01041-1
	DESIGNED BY	DRAWN BY	
	TSURUGA ELECTRIC CORPORATION		

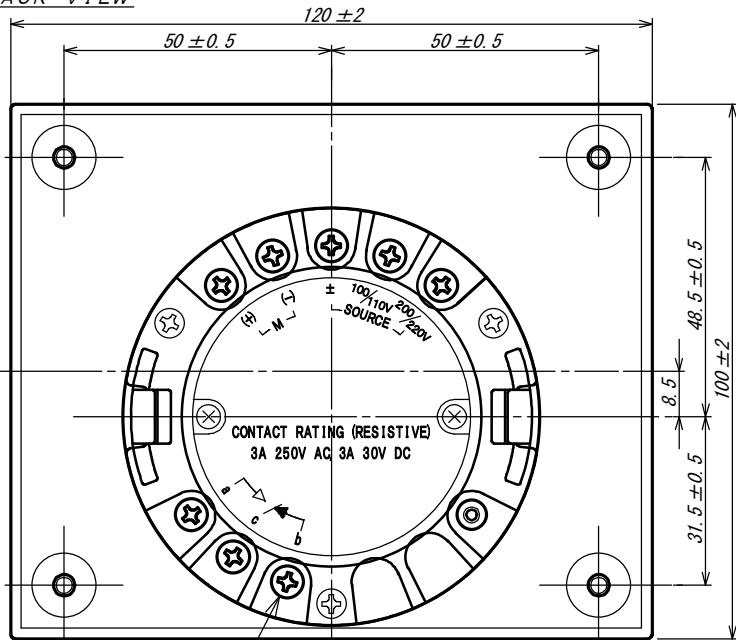
Oct. 16, 2000



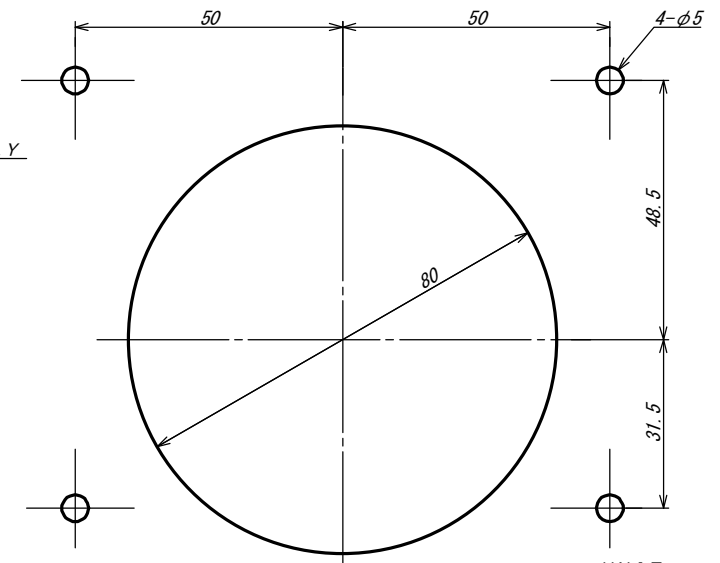
H DIMENNSIONS

DC VOLTMETER	0
DC AMMETER	
AC VOLTMETER	
AC AMMETER	8
TACHOMETER	
AC AMMETER (R.M.S.-responding)	32

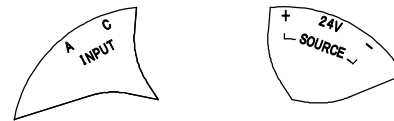
BACK VIEW



PANEL CUTOUT DIMENSION



FOR AC INPUT FOR DC POWER SUPPLY



M3

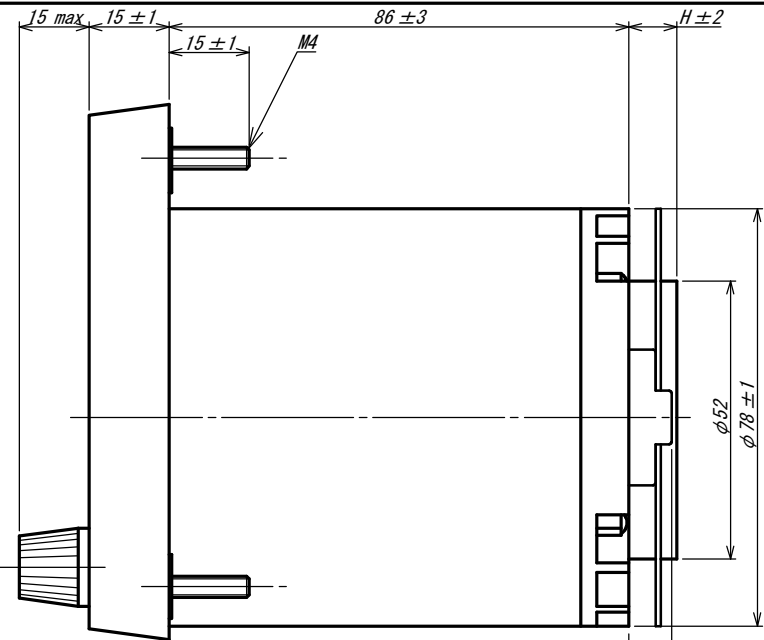
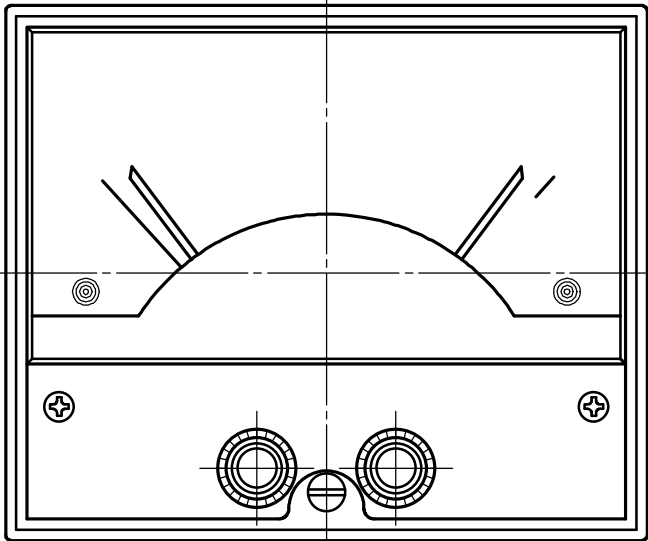
CONTACT RATING (RESISTIVE)
3A 250V AC 3A 30V DC

TSURUGA ELECTRIC CORPORATION. All rights reserved.

UNIT : mm

REVISED	DATE Apr. 26, 1999	APPROVED BY	TITLE NRC-120H
	SCALE	CHECKED BY	DRAWING No. FC-01044-1
	DESIGNED BY	DRAWN BY	
	TSURUGA ELECTRIC CORPORATION		

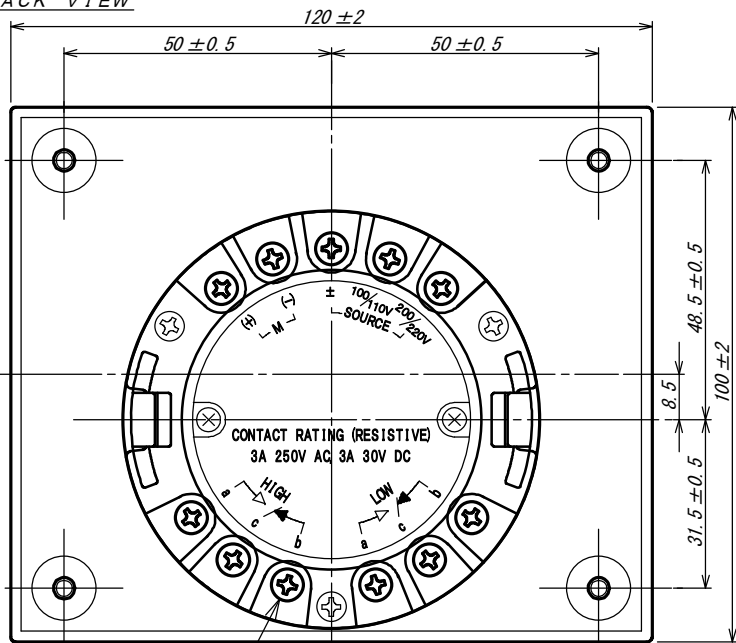
Oct. 16, 2000



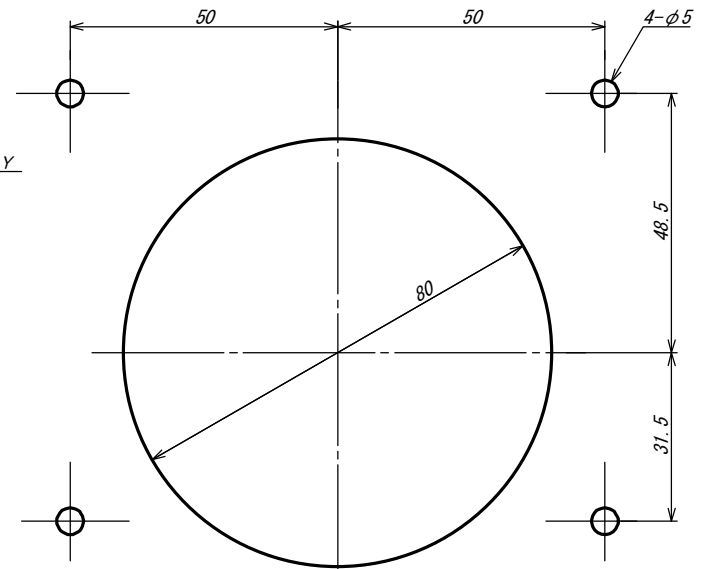
H DIMENNSIONS

DC VOLTMETER	0
DC AMMETER	
AC VOLTMETER	
AC AMMETER	8
TACHOMETER	
AC AMMETER (R.M.S.-responding)	32

BACK VIEW



PANEL CUTOUT DIMENSION



FOR AC INPUT FOR DC POWER SUPPLY



M3

TSURUGA ELECTRIC CORPORATION. All rights reserved.

UNIT: mm

REVISED	DATE Apr. 26, 1999	APPROVED BY	TITLE NRC-120HL
	SCALE	CHECKED BY	DRAWING No. FC-01043-1
	DESIGNED BY	DRAWN BY	
	TSURUGA ELECTRIC CORPORATION		

Oct. 16, 2000