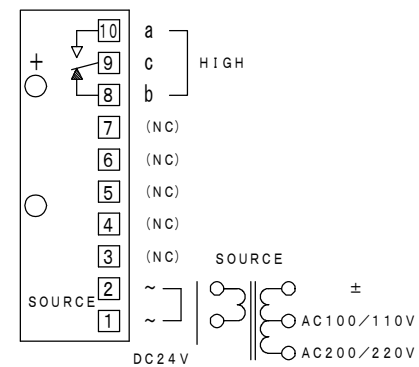
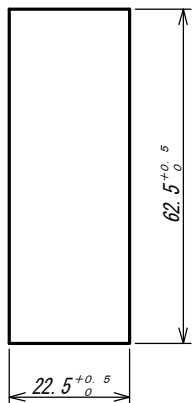


CONNECTION DIAGRAM

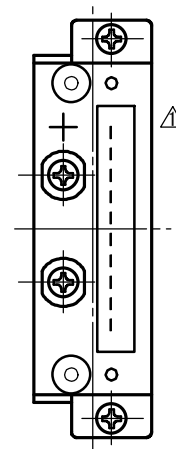
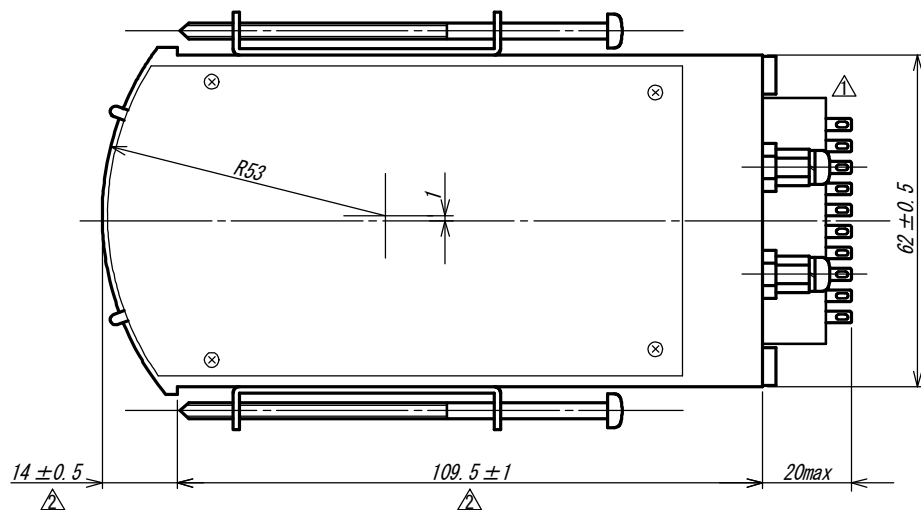
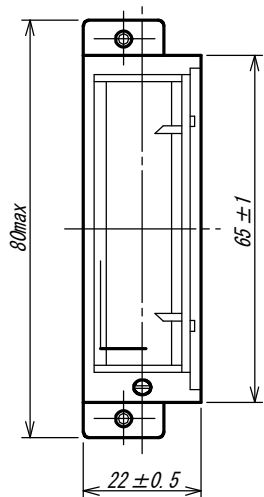
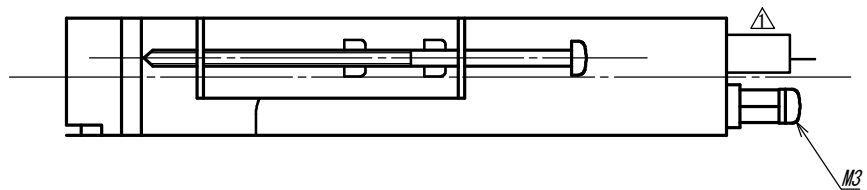
PANEL CUTOUT DIMENSION



TSURUGA ELECTRIC CORPORATION. All rights reserved.

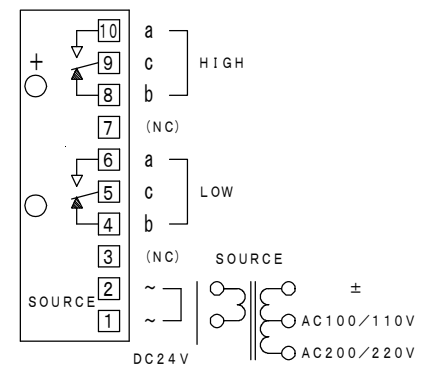
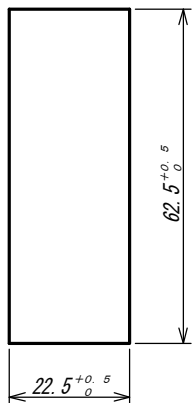
REVISED	DATE	Sep. 9, 1999	APPROVED BY	TITLE NRE-65AH
	SCALE		CHECKED BY	
	DESIGNED BY		DRAWN BY	
	TSURUGA ELECTRIC CORPORATION			

Sep. 26, 2012 S. Okano
 JUL. 25, 2011 S. Mayumi



CONNECTION DIAGRAM

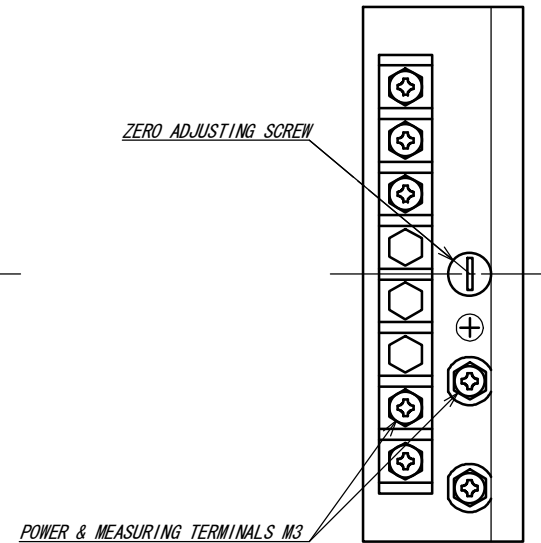
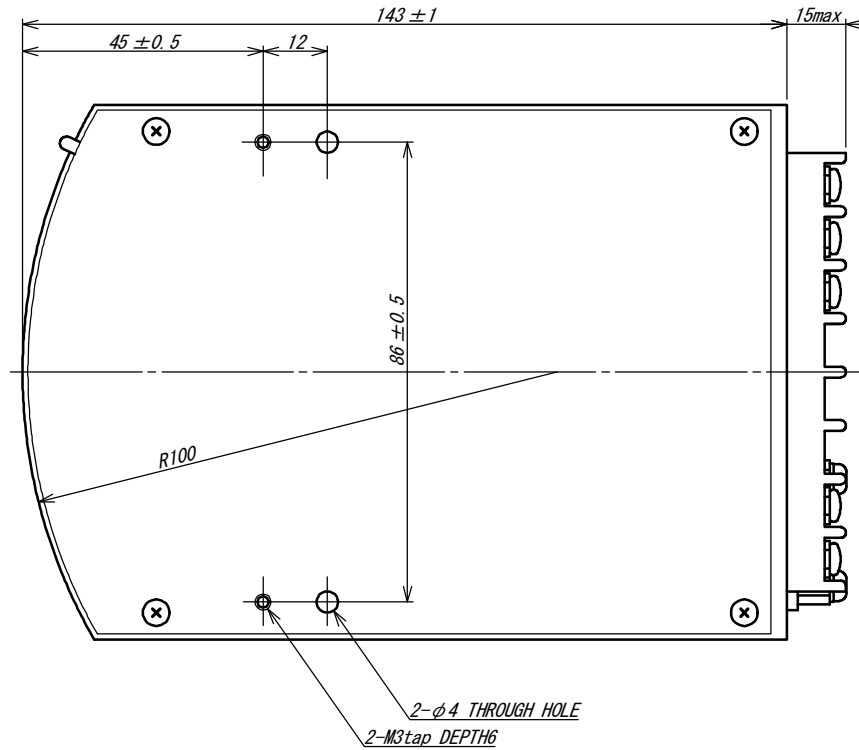
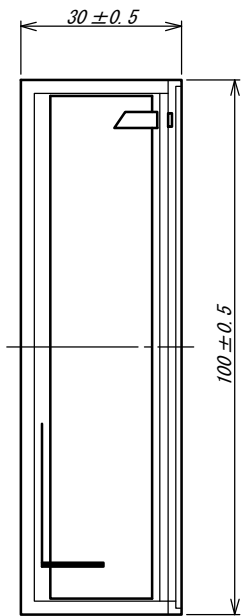
PANEL CUTOUT DIMENSION



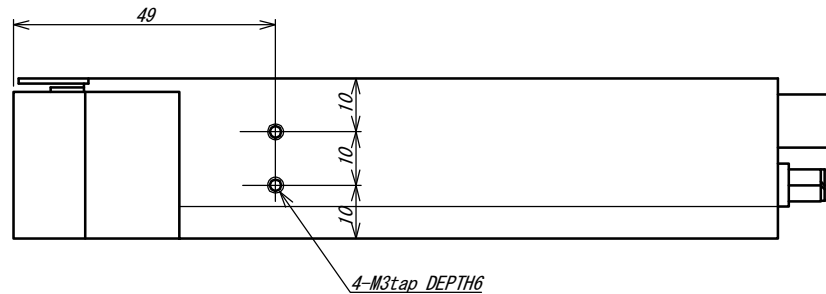
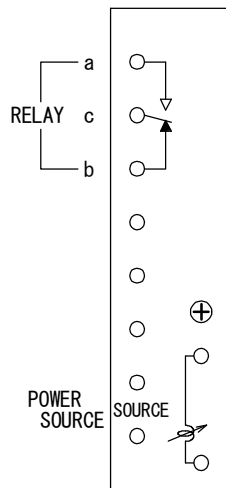
UNIT: mm

TSURUGA ELECTRIC CORPORATION. All rights reserved.

REVISED	DATE	Sep. 9, 1999	APPROVED BY	TITLE NRE-65AHL
	SCALE		CHECKED BY	
	DESIGNED BY		DRAWN BY	
	TSURUGA ELECTRIC CORPORATION			
Sep. 26, 2012 S. Okano JUL. 25, 2011 S. Mayumi				



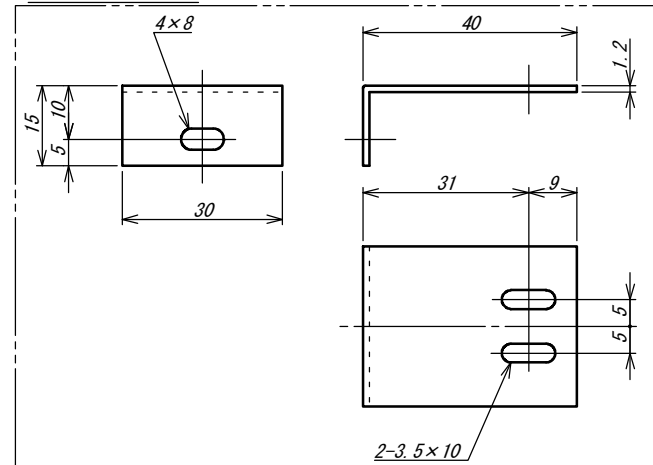
CONNECTION DIAGRAM



PANEL CUTOUT

{ FOR SINGLE UNIT : 101 × 31
 { FOR "N" NUMBER OF UNITS : 101 × (30.5 × N + 1)

MOUNTING BRACKET

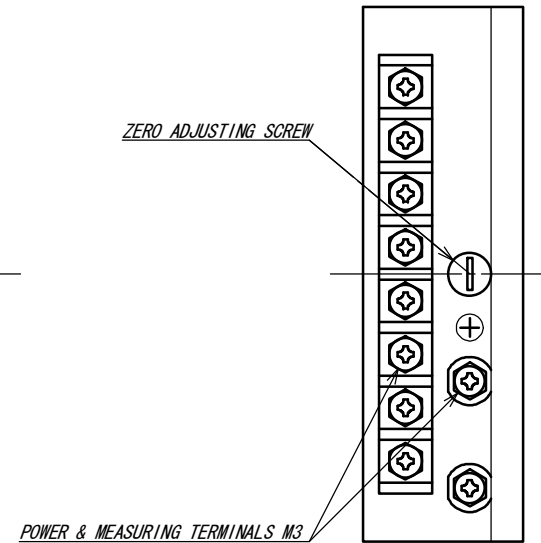
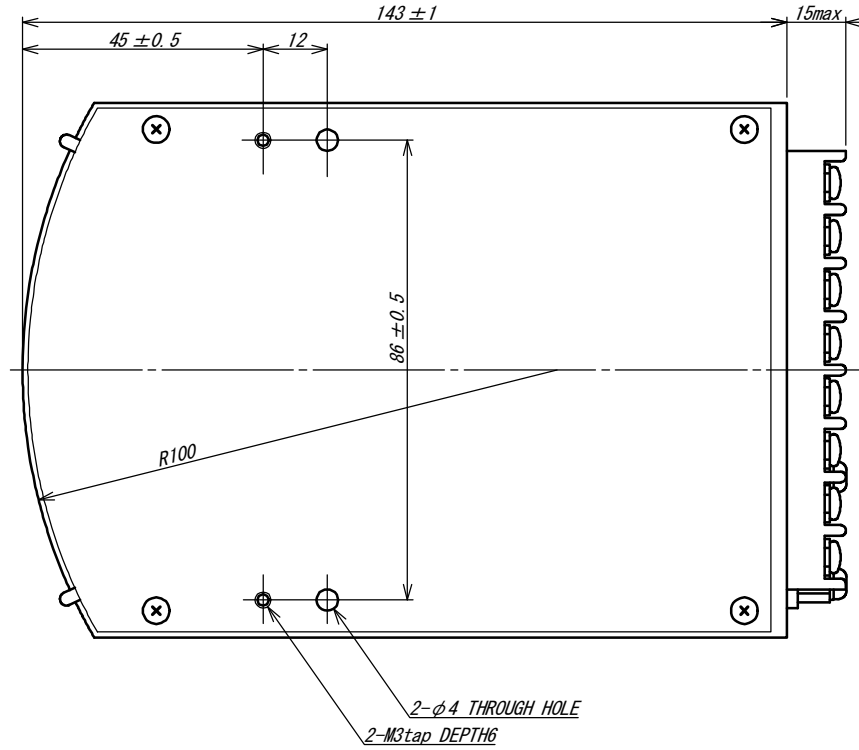
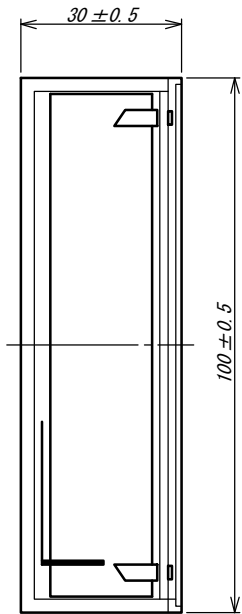


POWER SOURCE

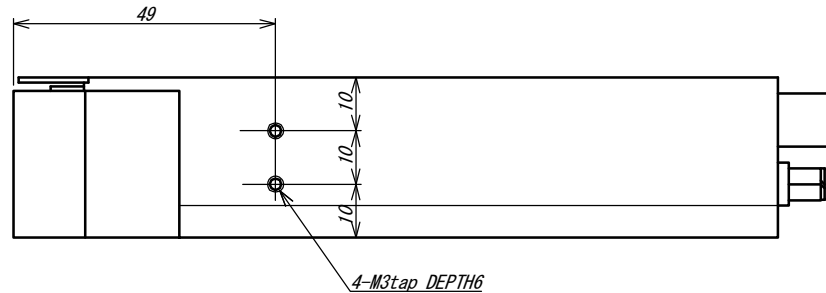
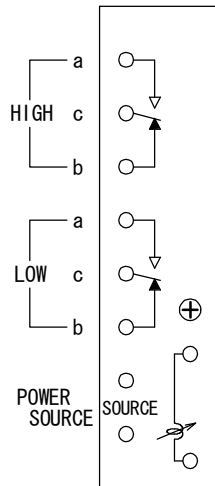
100V/110V AC (90V AC to 120V AC),
 or 200V/220V AC (180V AC to 240V AC), BY USING TRANSFORMER
 or 24V DC

TSURUGA ELECTRIC CORPORATION. All rights reserved.

REVISED	DATE	Jun. 19, 2012	APPROVED BY	TITLE
	SCALE		CHECKED BY	NRE-100AH
	DESIGNED BY		DRAWN BY	S. Okano
	TSURUGA ELECTRIC CORPORATION			DRAWING No.
				FC-01575



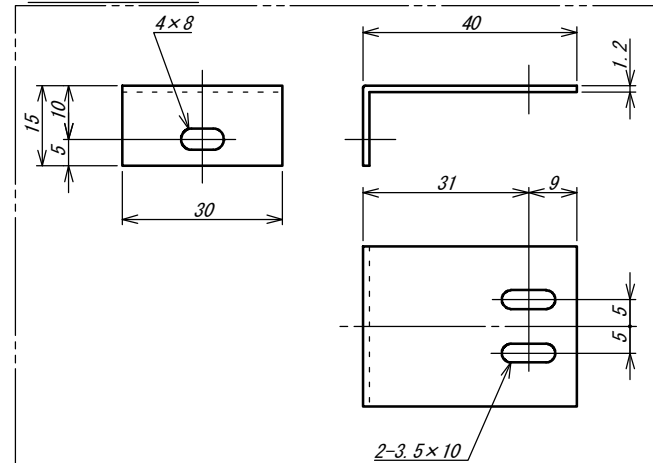
CONNECTION DIAGRAM



PANEL CUTOUT

{ FOR SINGLE UNIT : 101 × 31
 { FOR "N" NUMBER OF UNITS : 101 × (30.5 × N + 1)

MOUNTING BRACKET



POWER SOURCE

100V/110V AC (90V AC to 120V AC),
 or 200V/220V AC (180V AC to 240V AC), BY USING TRANSFORMER
 or 24V DC

TSURUGA ELECTRIC CORPORATION. All rights reserved.

REVISED	DATE	Jun. 19, 2012	APPROVED BY	TITLE NRE-100AHL	
	SCALE		CHECKED BY		
	DESIGNED BY		DRAWN BY		S. Okano
	TSURUGA ELECTRIC CORPORATION				DRAWING No. FC-01574

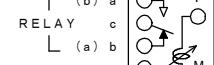
FC-01583

DRAWING No.

CONNECTION DIAGRAM

NORMAL OPEN

(NORMAL CLOSE)



SOURCE \pm 100/110V 24V
 $\left[\begin{array}{l} + \\ - \end{array} \right]$ 200/220V

SCALE PLATE HOLDER

TAG No. PLATE

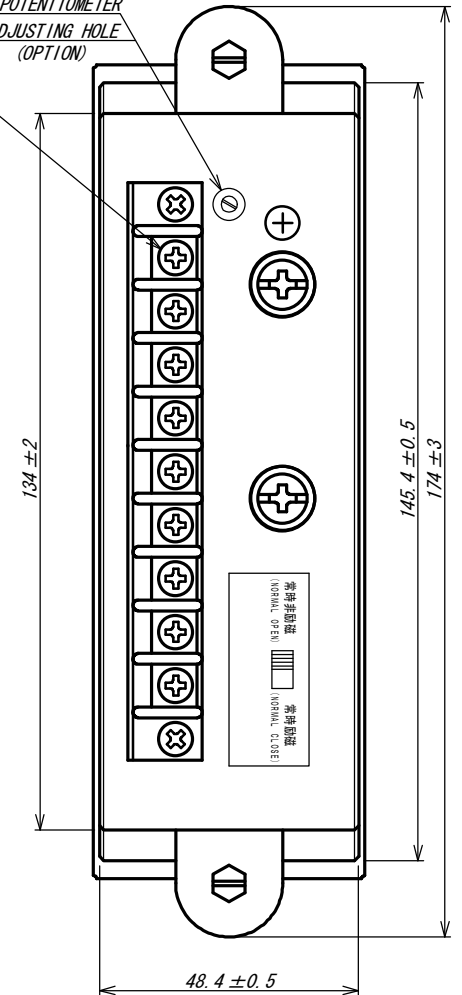
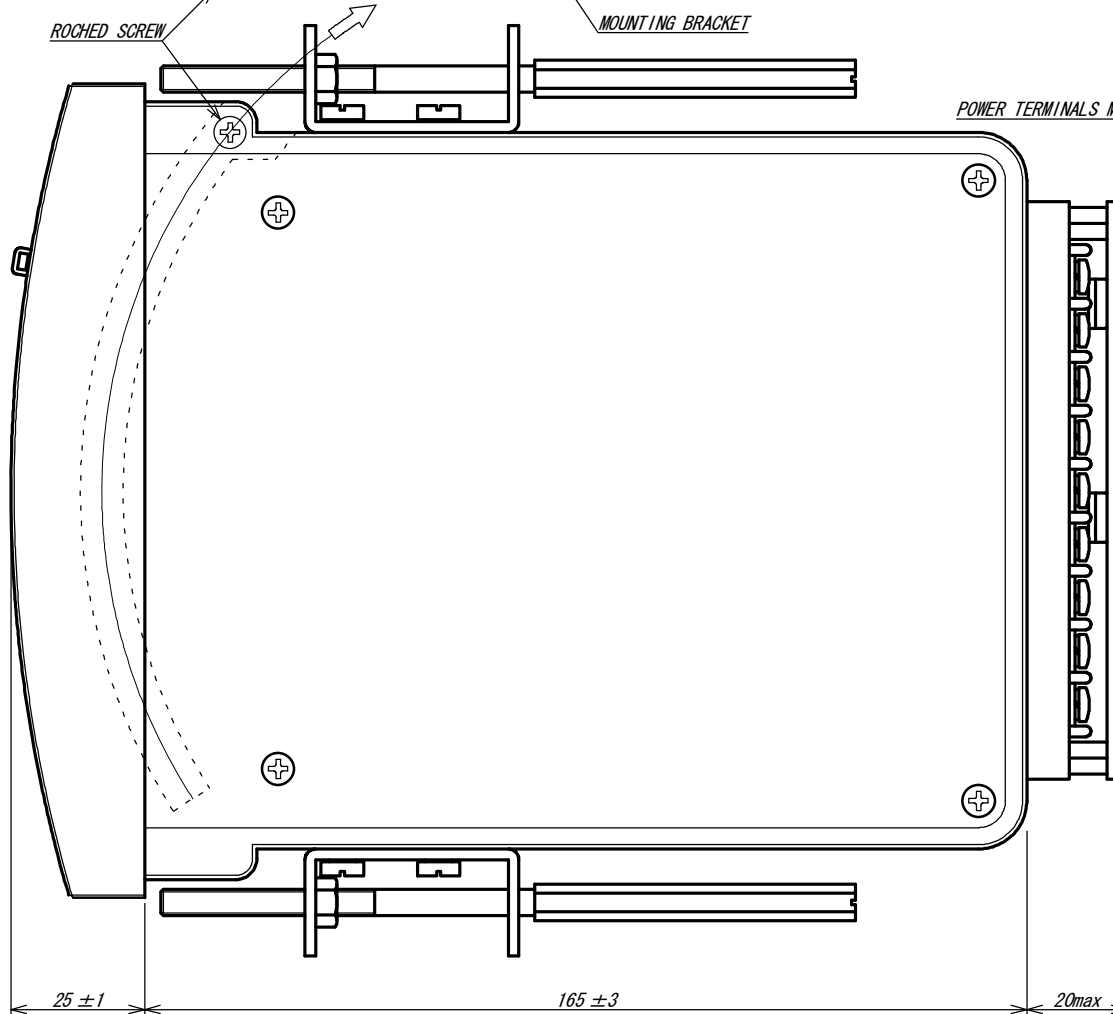
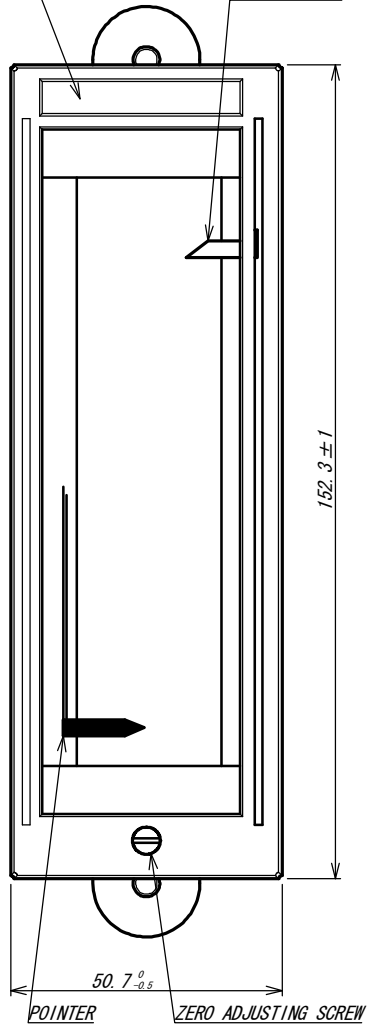
SET POINTERS

ROCHED SCREW

MOUNTING BRACKET

POTENTIOMETER
 ADJUSTING HOLE
 (OPTION)

POWER TERMINALS M3



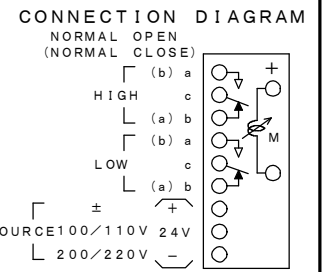
PANEL CUT-OUT

FOR SINGLE UNIT: $146^{+0.5} \times 49^{+0.5}$

FOR "N" NUMBER OF UNITS: $146^{+0.5} \times [(50.7 \times N) - 1.8]^{+0.5}$

TSURUGA ELECTRIC CORPORATION. All rights reserved.

REVISED	DATE	Aug. 6, 2012	APPROVED BY	TITLE NRE-152H	
	SCALE		CHECKED BY		
	DESIGNED BY		DRAWN BY		S. Okano
	TSURUGA ELECTRIC CORPORATION				DRAWING No. FC-01583



SCALE PLATE HOLDER

TAG No. PLATE

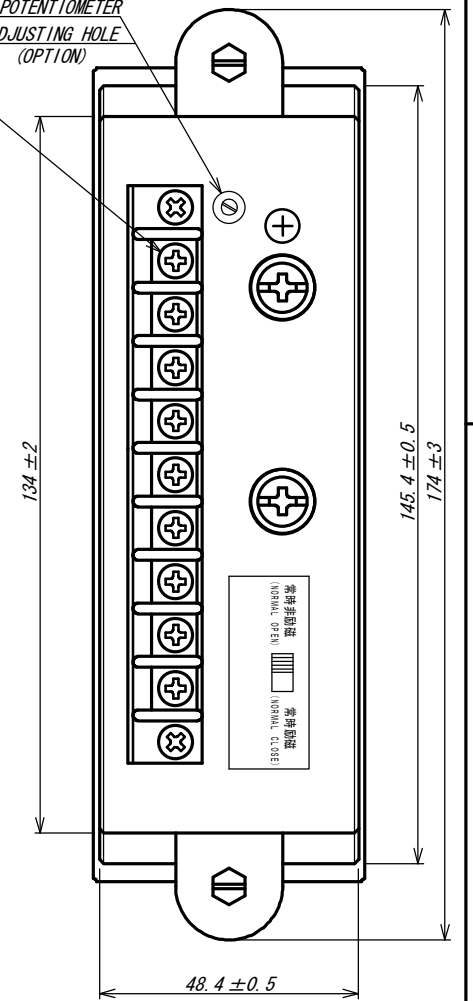
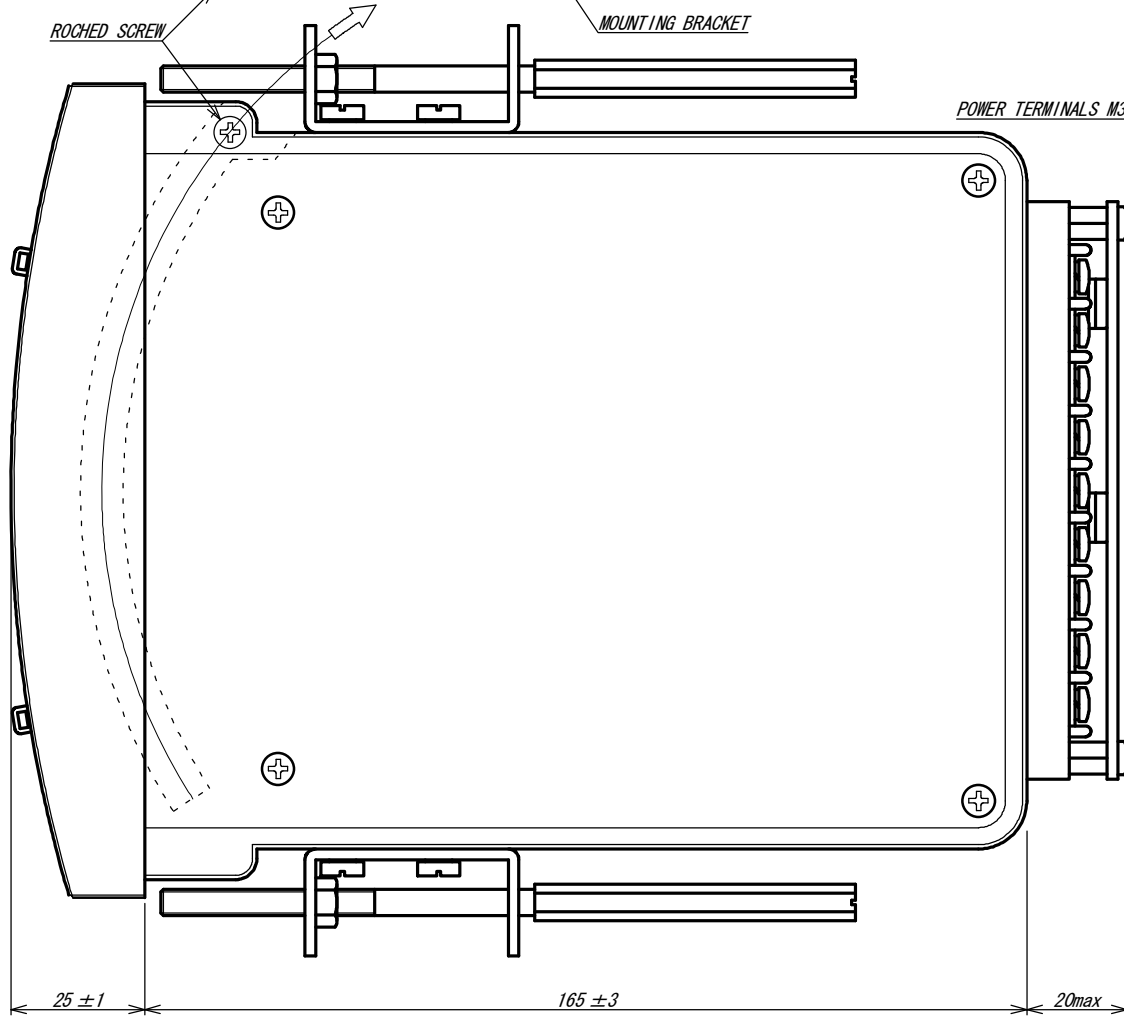
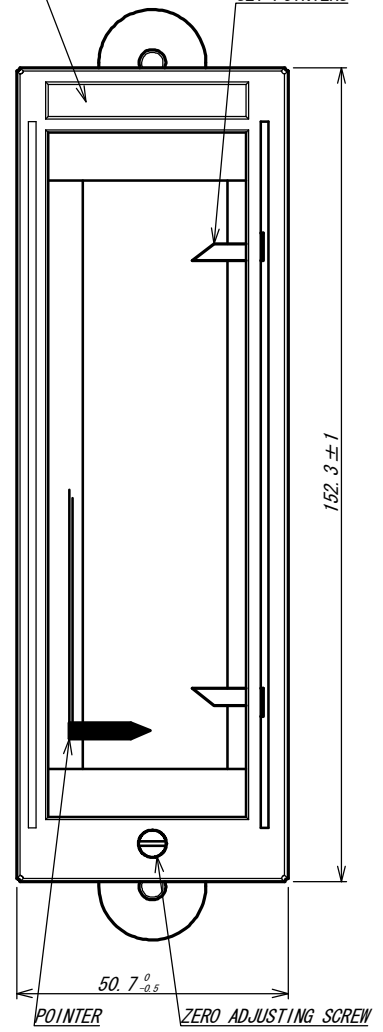
SET POINTERS

ROCHED SCREW

MOUNTING BRACKET

POTENTIOMETER ADJUSTING HOLE (OPTION)

POWER TERMINALS M3



PANEL CUT-OUT

FOR SINGLE UNIT: $146^{+0.5} \times 49^{+0.5}$
FOR "N" NUMBER OF UNITS: $146^{+0.5} \times [(50.7 \times N) - 1.8]^{+0.5}$

TSURUGA ELECTRIC CORPORATION. All rights reserved.

REVISED	DATE	Dec. 3, 1997	APPROVED BY	TITLE	NRE-152HL
	SCALE		CHECKED BY		
	DESIGNED BY		DRAWN BY	S. Okano	DRAWING No.
	TSURUGA ELECTRIC CORPORATION			FC-00978-1	

Aug. 6, 2012