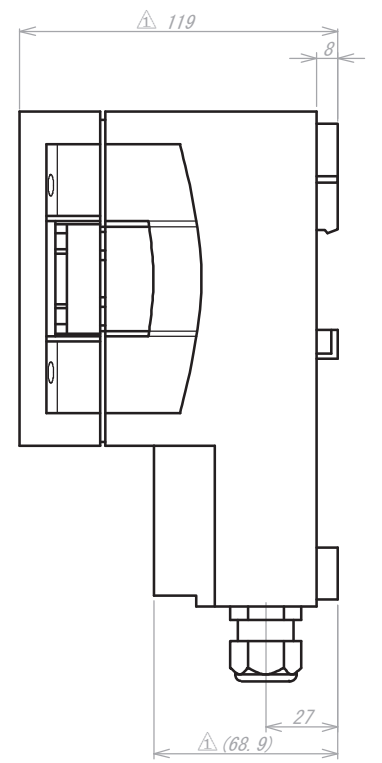
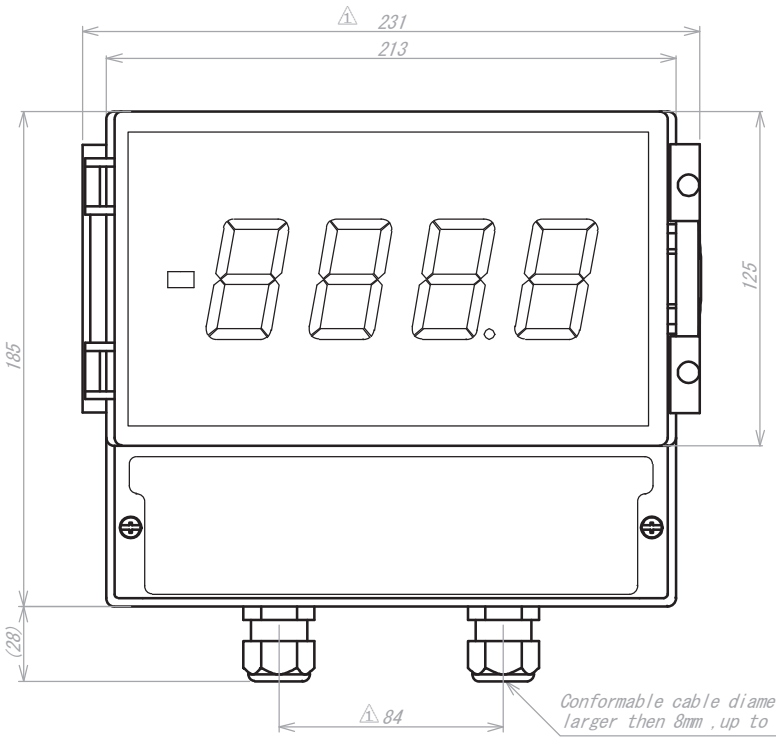
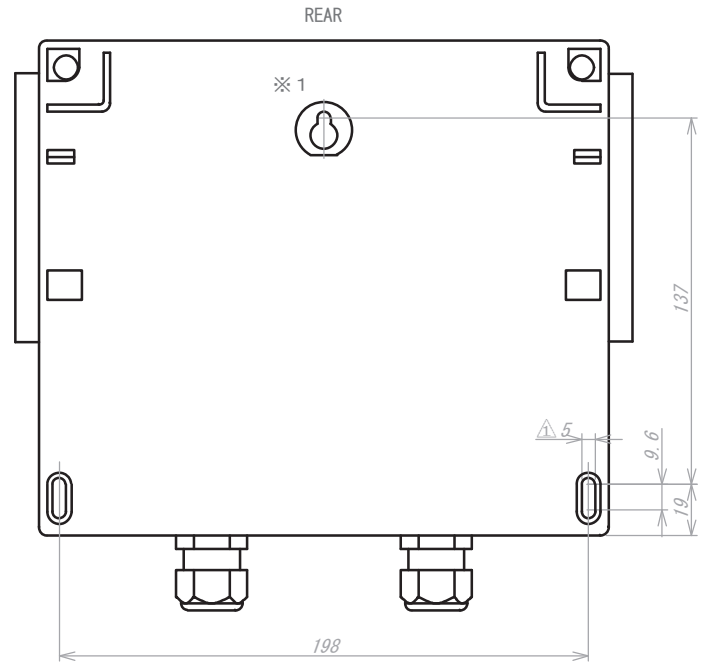
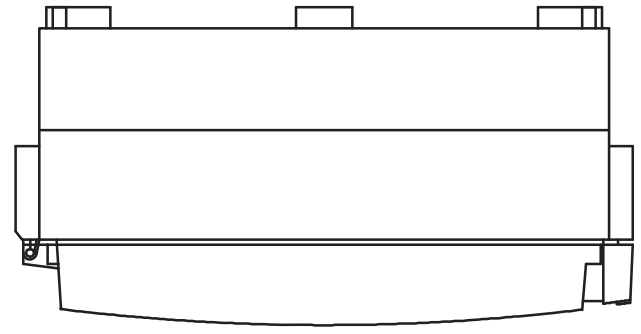
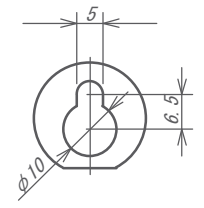


※1 詳細図 (1:1)



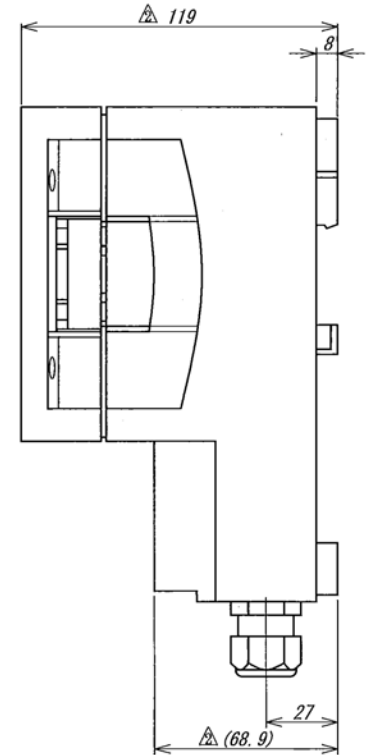
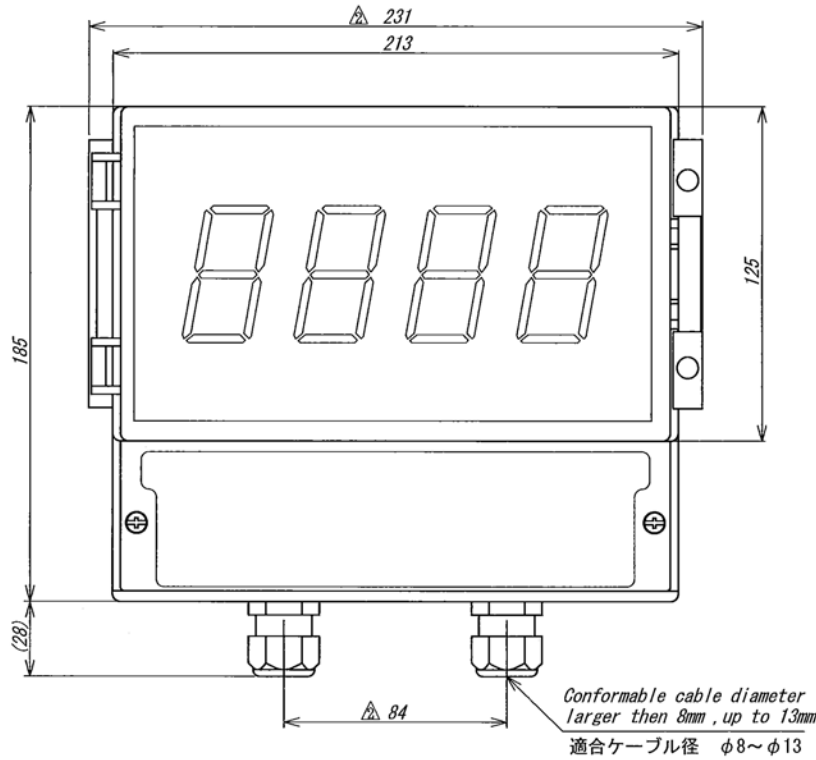
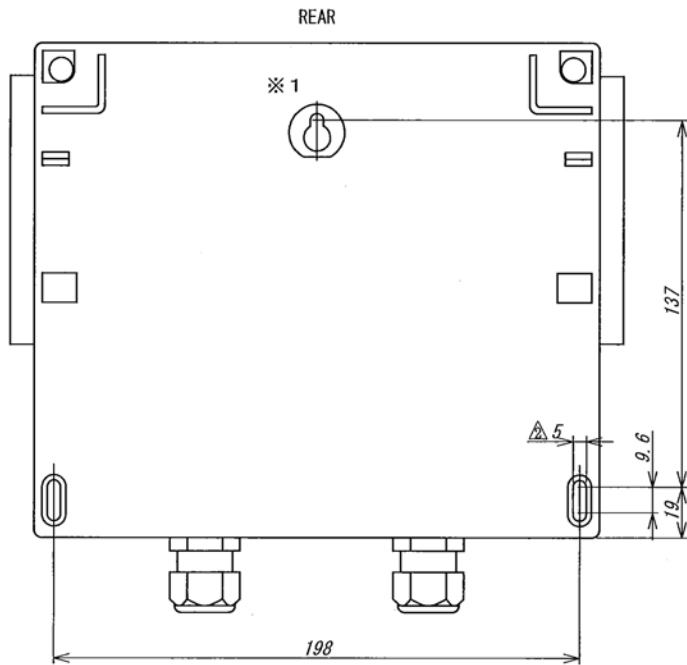
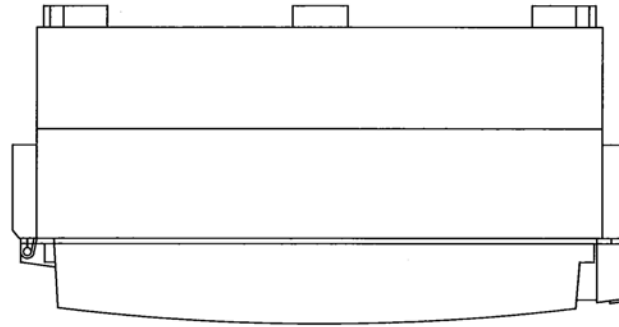
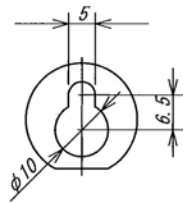
Conformable cable diameter  
larger than 8mm, up to 13mm  
適合ケーブル径 φ8~φ13

TSURUGA ELECTRIC CORPORATION. All Rights Reserved.

|         |                              |               |             |             |
|---------|------------------------------|---------------|-------------|-------------|
| REVISED | DATE                         | Jan. 18. 2011 | APPROVED BY | TITLE       |
|         | SCALE                        |               | CHECKED BY  | 防水・防塵形表示器   |
|         | DESIGNED BY                  | H. Matsunami  | DRAWN BY    | F-3153B     |
|         |                              |               |             | DRAWING No. |
|         | TSURUGA ELECTRIC CORPORATION |               |             | FC-01511-1  |

Mar. 24. 2014 ケース変更による寸法変更 林

※1 Details (1:1)  
詳細図



|  |                              |               |             |   |                           |
|--|------------------------------|---------------|-------------|---|---------------------------|
| REVISED<br><br>△Feb. 24. 2017 change of LED<br>△Feb. 15. 2014 change of case<br>△JUL. 29. 2007 change of model | DATE                         | Jul. 27. 2006 | APPROVED BY | TITLE<br>Waterproof & Dust Display<br>防水・防塵形表示器<br>F-3153A, F-3155B |                           |
|  | SCALE                        |               | CHECKED BY  |   |                           |
|  | DESIGNED BY                  | S. Hayashi    | DRAWN BY    | S. Hayashi  | DRAWING No.<br>FC-01328-3 |
|  | TSURUGA ELECTRIC CORPORATION |               |             |   |                           |