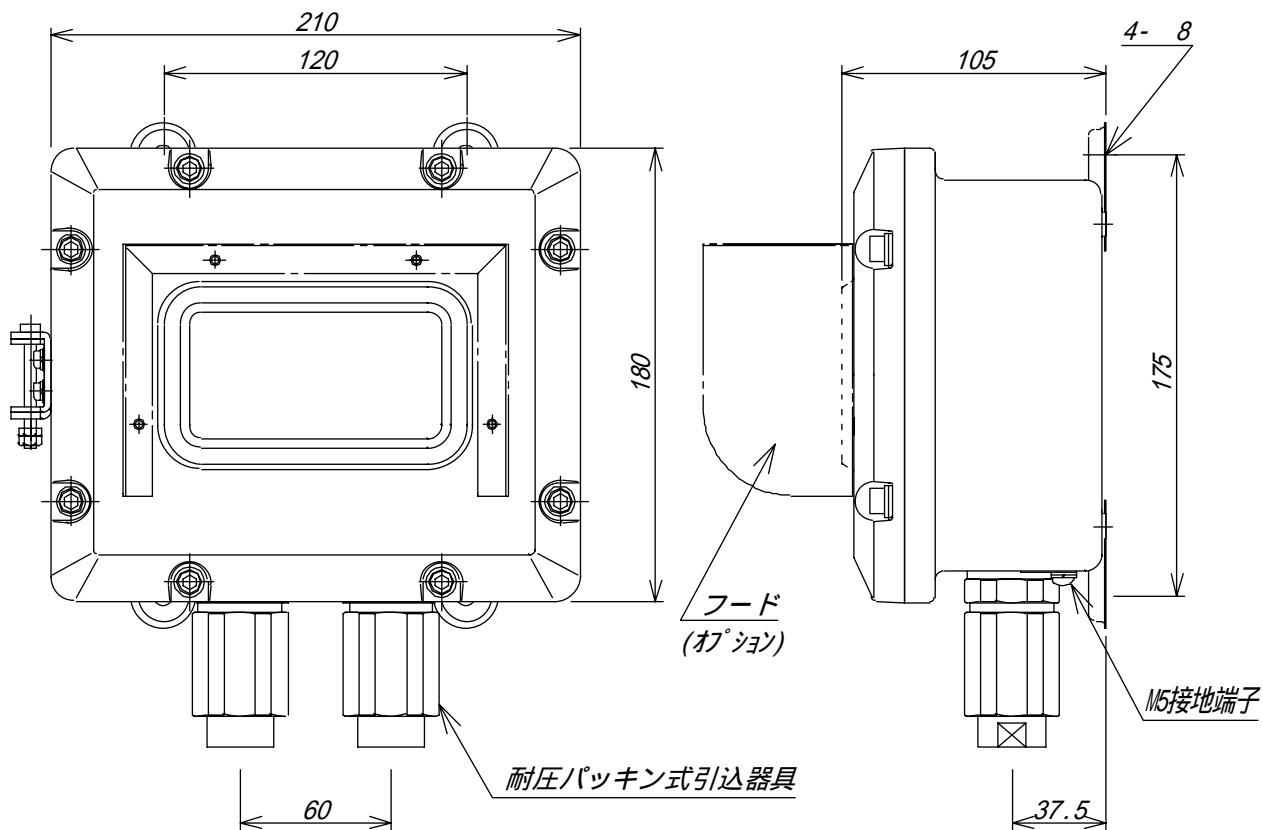
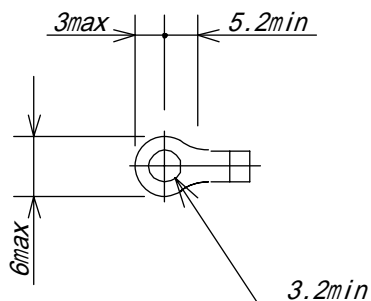


FB-00523

DRAWING No.



【適合圧着端子】



TSURUGA ELECTRIC CORPORATION. All rights reserved.

REVISED

DATE *Sep. 26, 2000*

APPROVED BY

TITLE

SCALE



CHECKED BY

EX1R-D5  
耐圧防爆形表示器

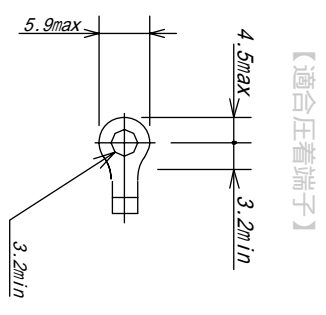
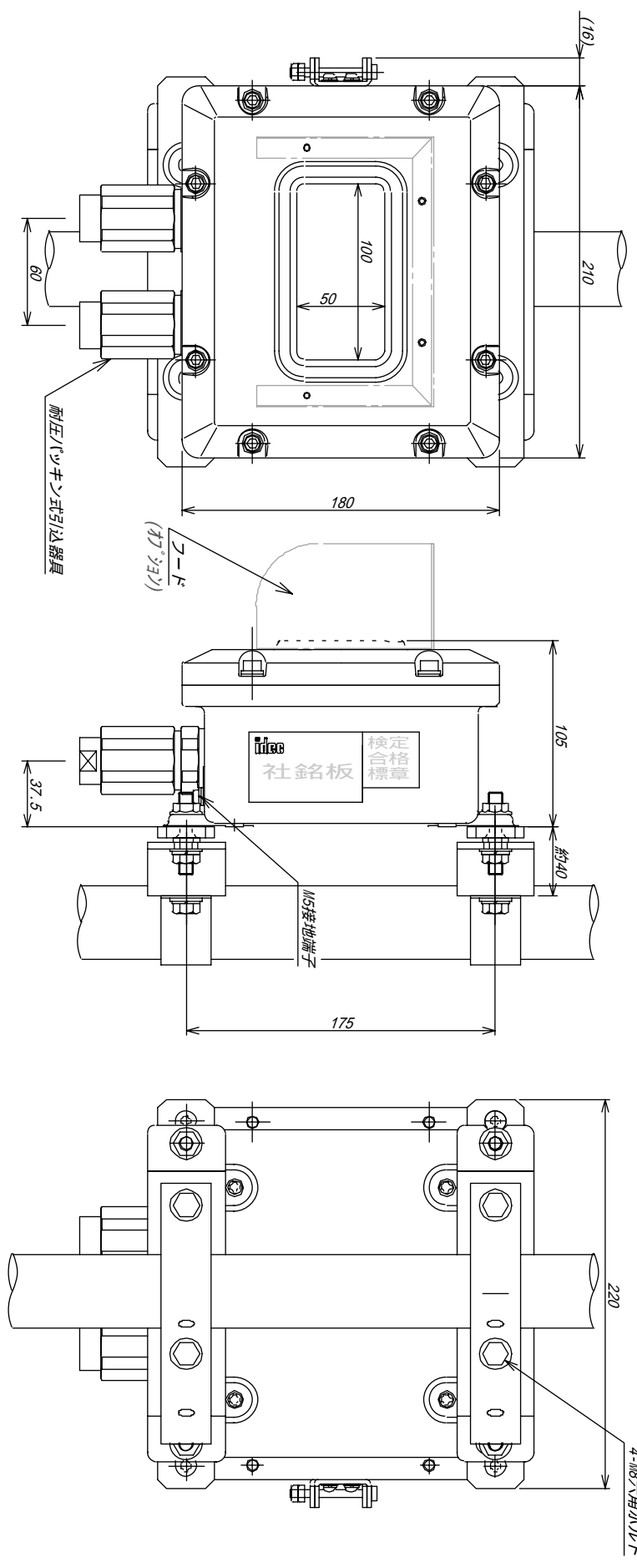
DESIGNED BY

DRAWN BY

DRAWING No.

TSURUGA ELECTRIC CORPORATION

FB-00523



TSURUGA ELECTRIC CORPORATION. All rights reserved.

REVISED	DATE	APPROVED	TITLE
	Apr. 22, 2004	BY	EX1R-D5
SCALE		CHECKED	耐圧防爆形表示器
DESIGNED		BY	ボール取り付け外形図
BY		DRAWN	
TSURUGA ELECTRIC CORPORATION		DRAWING NO.	FC-01229
			1/1