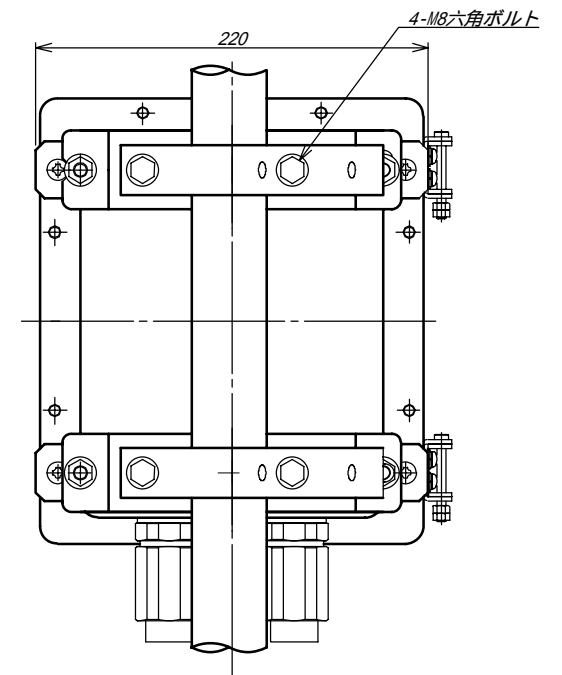
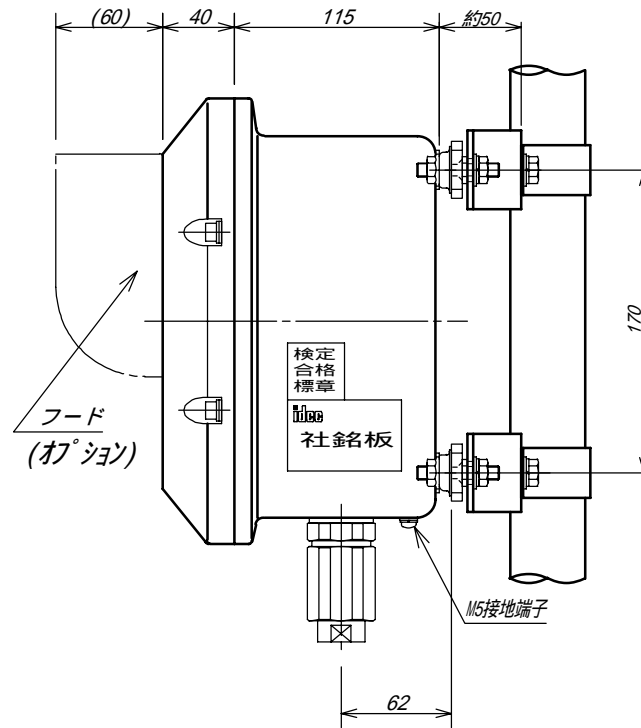
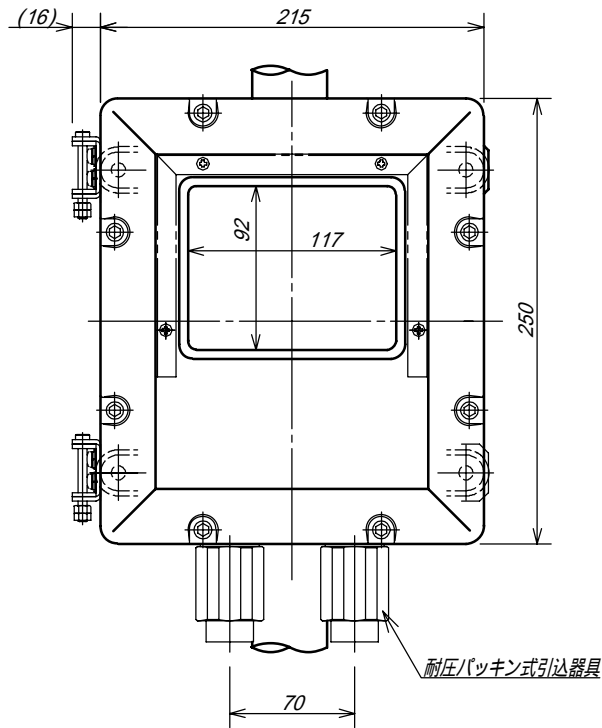
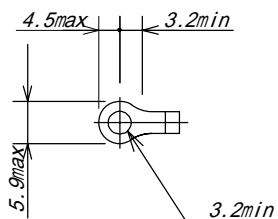


REVISED	DATE May. 10. 2000	APPROVED BY	TITLE EX1R-D10 耐圧防爆形表示器
	SCALE 1 : 4	CHECKED BY	DRAWING No. FB-00511-1
	DESIGNED BY	DRAWN BY S. Hayashi	
△June. 18. 2008 形名変更	TSURUGA ELECTRIC CORPORATION		

本図は、呼び径 1・1/4B鋼管に取り付けた例です。



【適合圧着端子】



REVISED	DATE	Apr. 22. 2004	APPROVED BY	TITLE
	SCALE	1:3	CHECKED BY	EX1R-D10
	DESIGNED BY		DRAWN BY	耐圧防爆形表示器
	TSURUGA ELECTRIC CORPORATION			ボール取り付け外形図
			DRAWING No.	FC-01230
				1/1