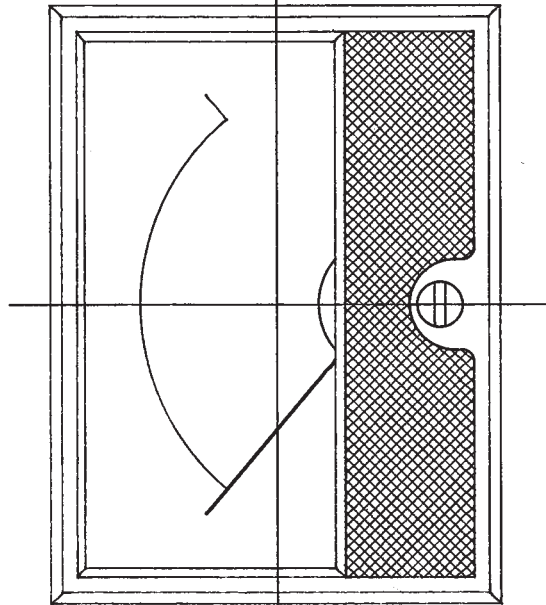
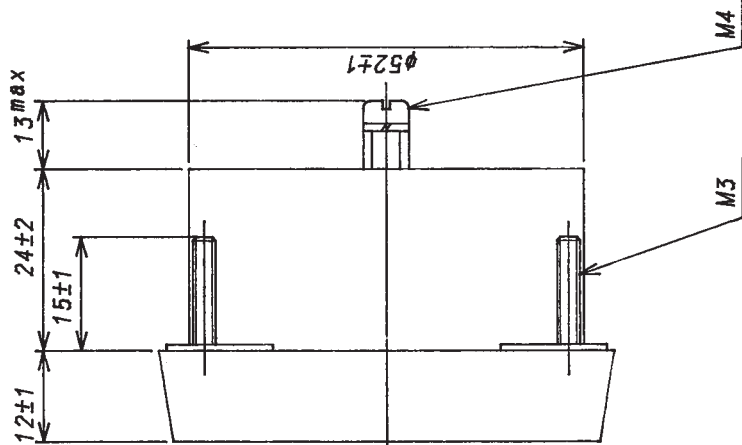
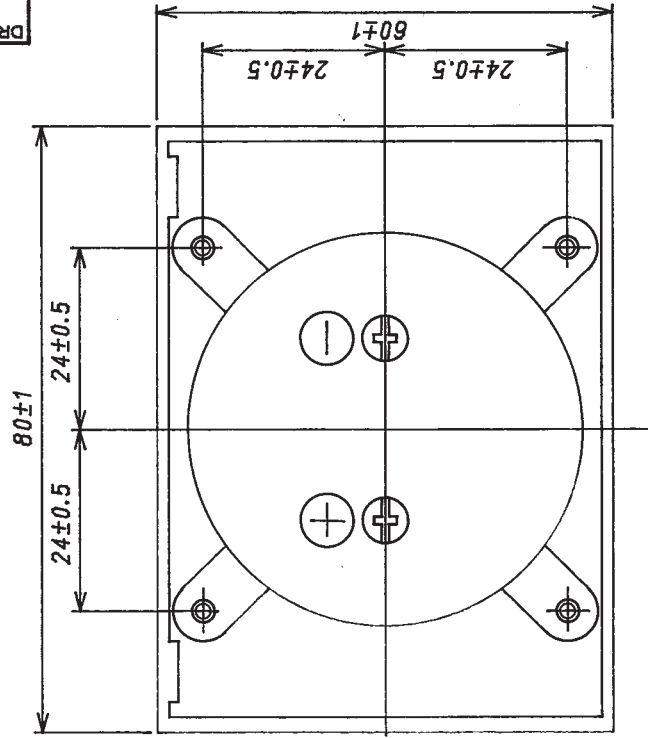


FB-00201

DRAWING NO.



TSURUGA ELECTRIC CORPORATION. All rights reserved.

REVISED

DATE

Feb.25.1991

APPROVED BY

H. Hayashi

TITLE

TOR-2B

SCALE

1 : 1



CHECKED BY

S. Chono

DESIGNED BY

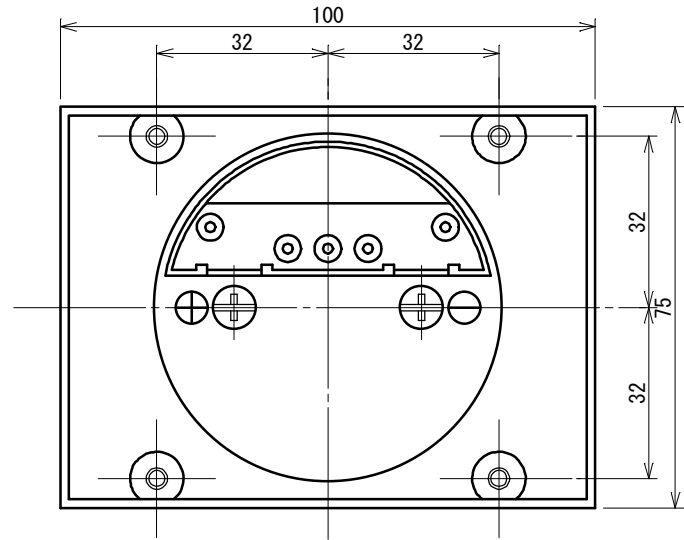
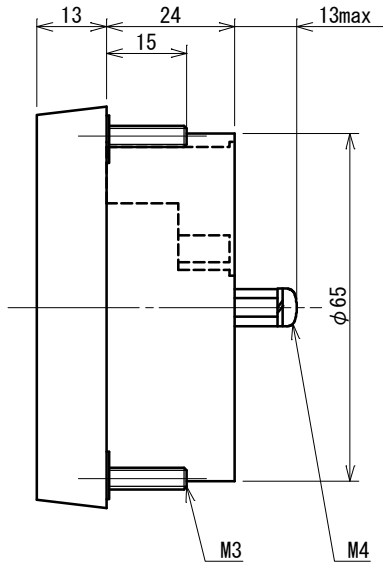
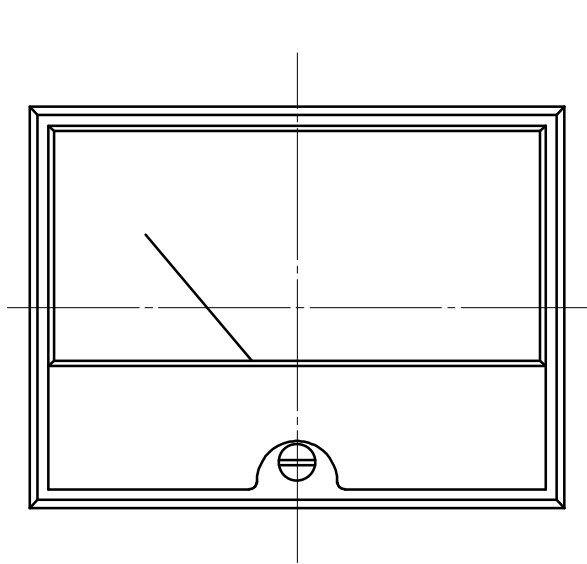
DRAWN BY

M. Ogura

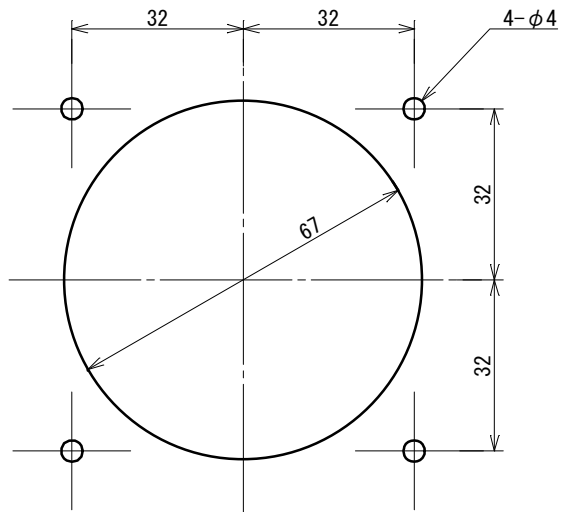
DRAWING NO.

TSURUGA ELECTRIC WORKS, LTD.

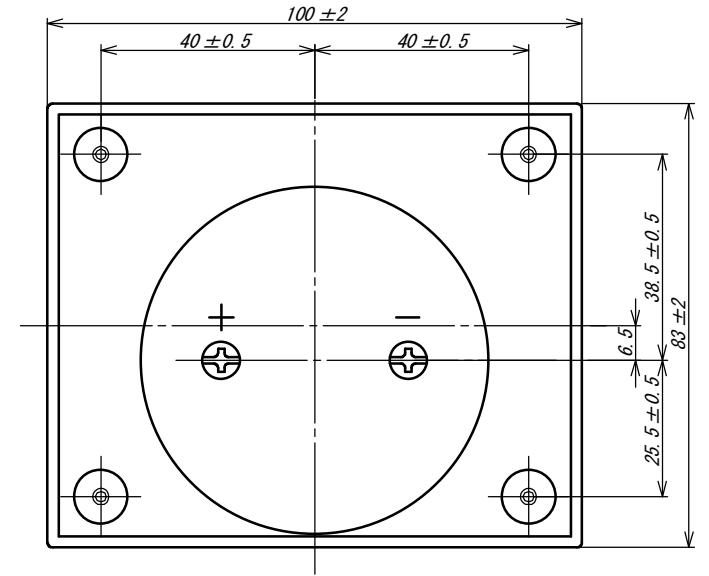
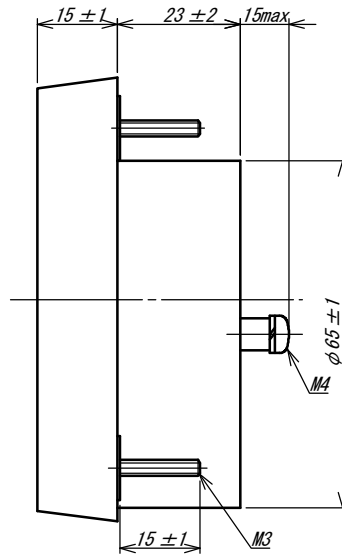
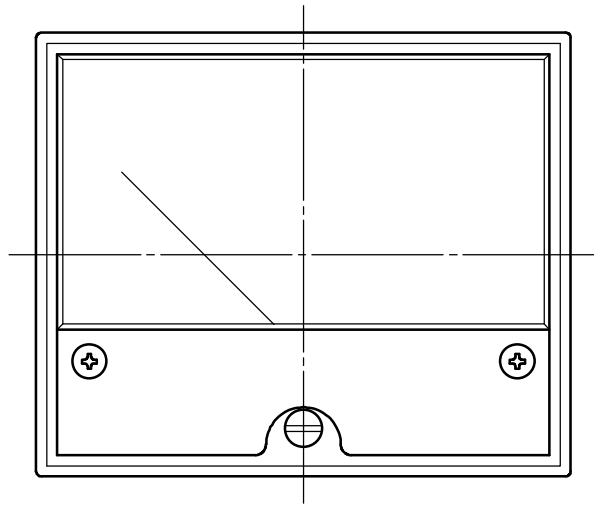
FB-00201



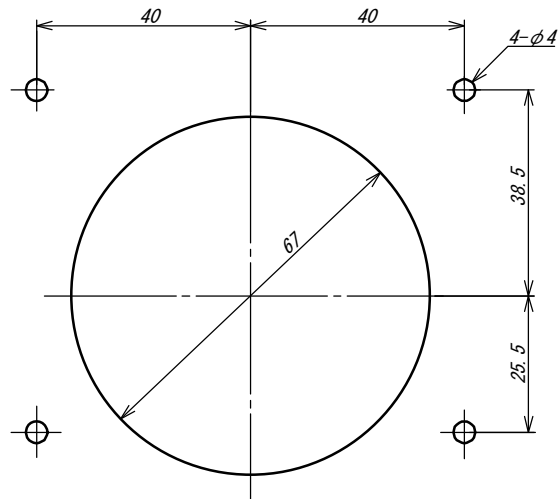
PANEL CUT-OUT



REVISED	DATE	Mar. 8, 2000	APPROVED BY	TITLE
	SCALE		CHECKED BY	TQR-25B <sub>1</sub>
	DESIGNED BY		DRAWN BY	DRAWING No.
	TSURUGA ELECTRIC CORPORATION			FC-01091

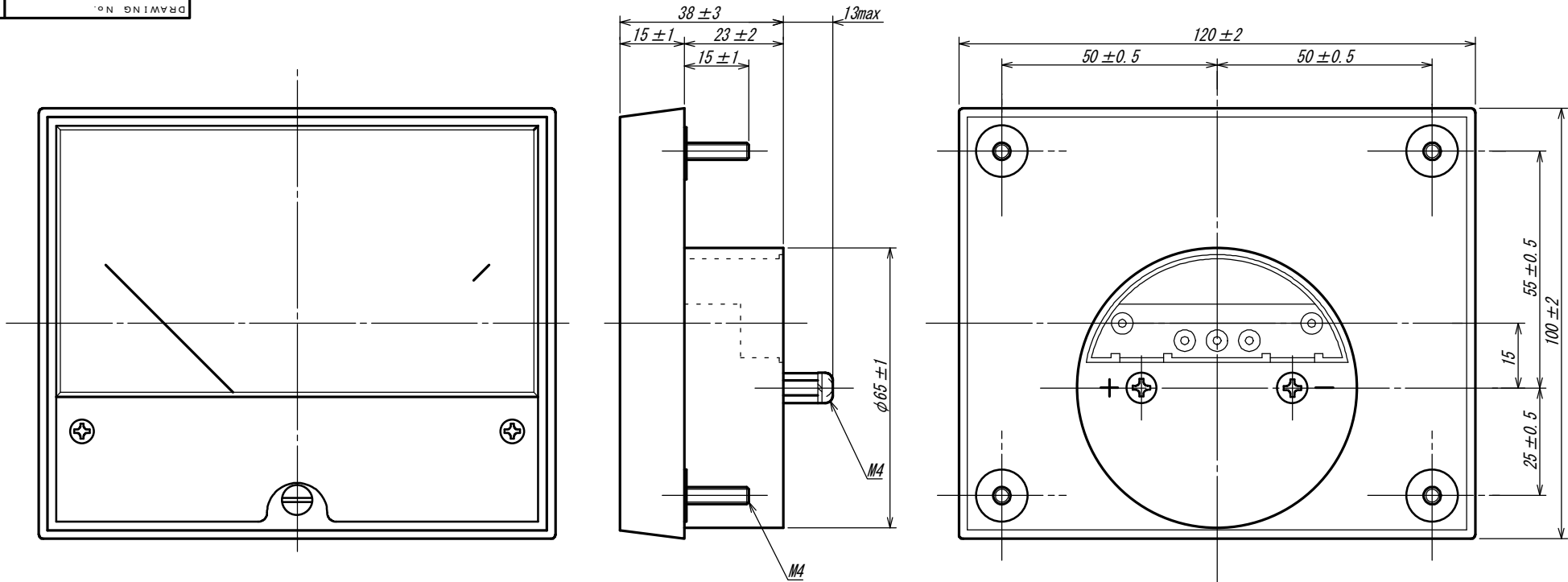


PANEL CUT-OUT

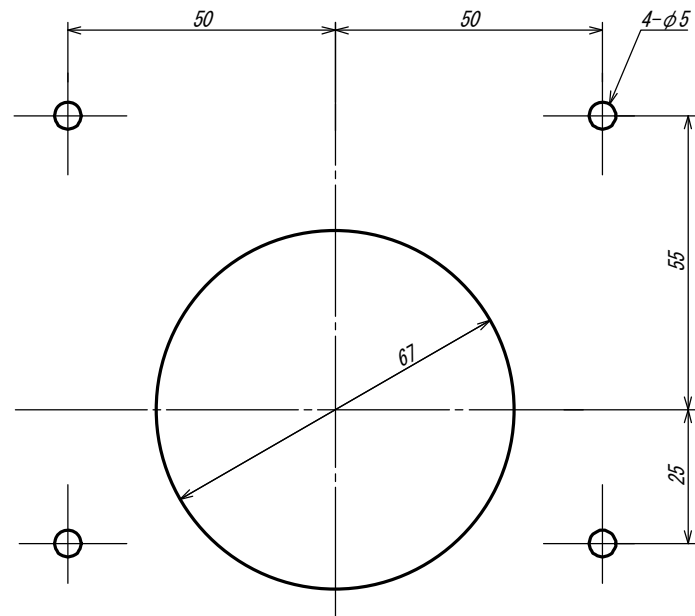


TSURUGA ELECTRIC CORPORATION. All rights reserved.

REVISED	DATE	Dec. 10. 2012	APPROVED BY	TITLE
	SCALE		CHECKED BY	T□R-25C1
	DESIGNED BY		DRAWN BY	DRAWING No.
			H. Matsunami	FC-00208-1 1/1
Dec. 12, 2012 H. Matsunami		TSURUGA ELECTRIC CORPORATION		



PANEL CUTOUT DIMENSION



TSURUGA ELECTRIC CORPORATION. All rights reserved.

UNIT: mm

REVISED	DATE	Sep. 20, 1999	APPROVED BY	TITLE
	SCALE		CHECKED BY	TQR-25C
	DESIGNED BY		DRAWN BY	DRAWING No.
		TSURUGA ELECTRIC CORPORATION		FC-01068