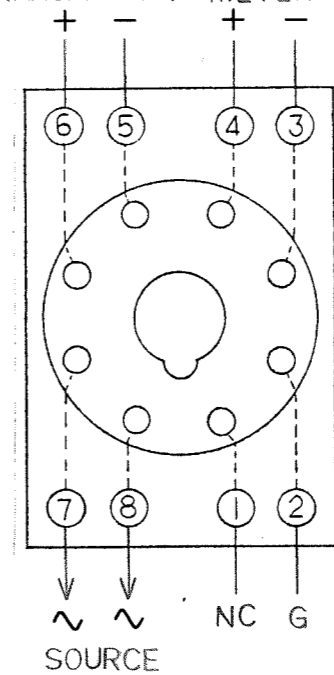


CONNECTION DIAGRAM. 2 WIRE TRANSMITTER METER

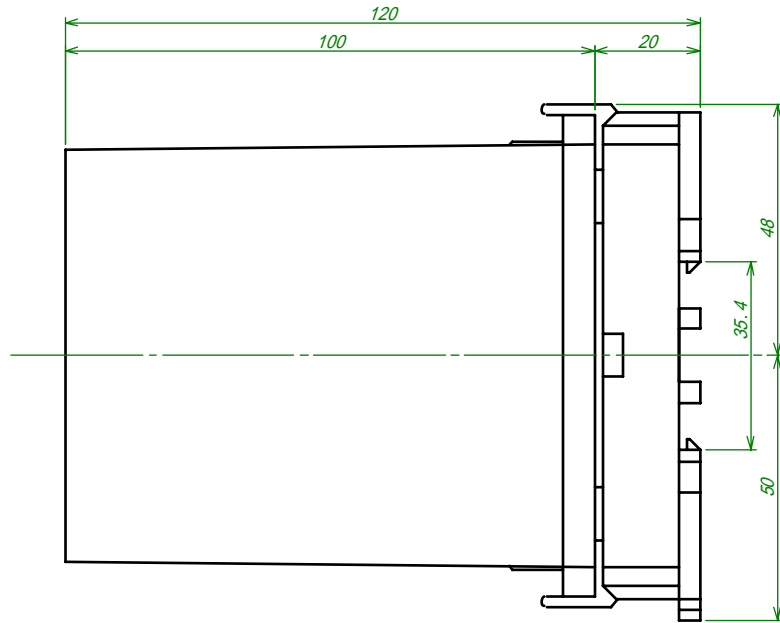
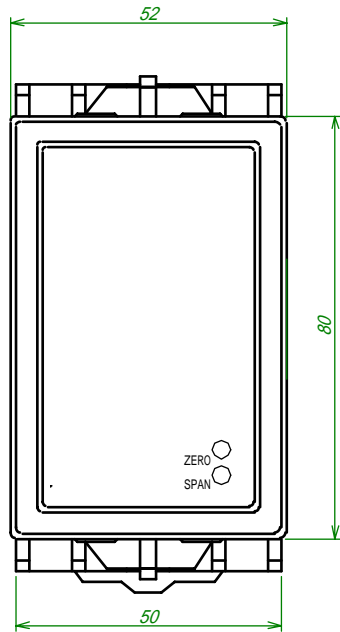


TSURUGA ELECTRIC CORPORATION All Rights Reserved.

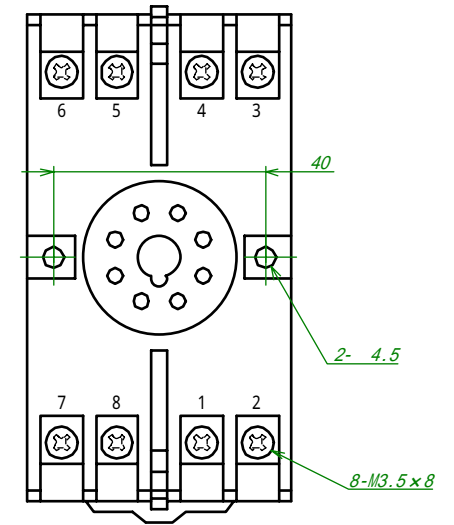
REVISED	DRAWN	CHECKED	APPROVED	NAME
	<i>A. Hayashi</i>	<i>S. Okano</i>	<i>N. Arada</i>	7551
DATE	SCALE	TSURUGA ELECTRIC WORKS. LTD.		DRAWING NO.
10, Oct, 1987	1/1	OSAKA JAPAN		C-08112

FC-00962

DRAWING NO.



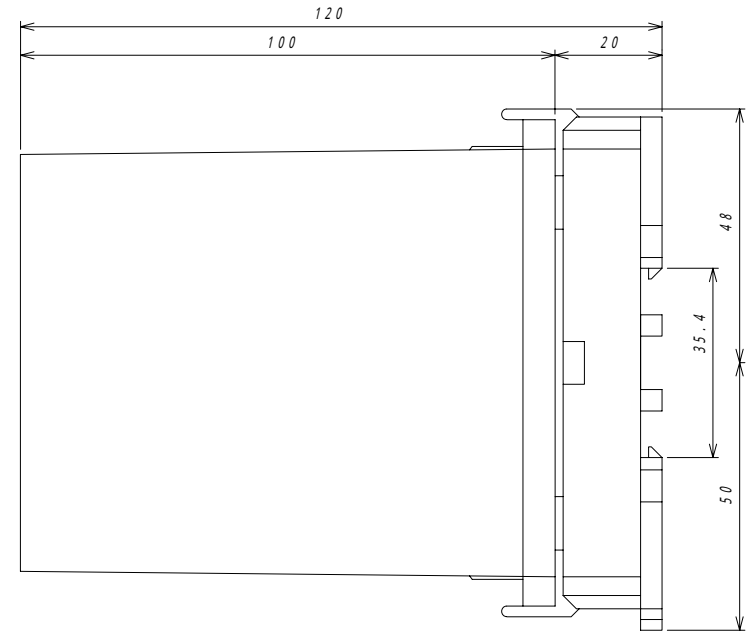
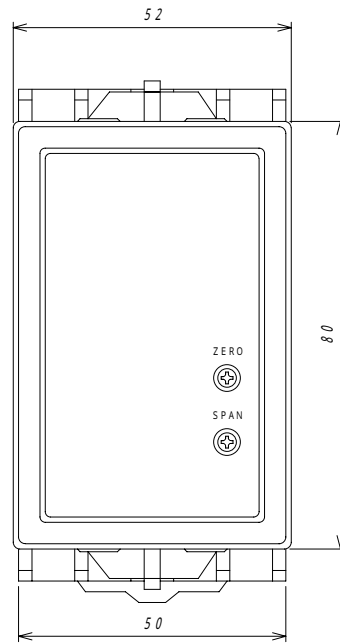
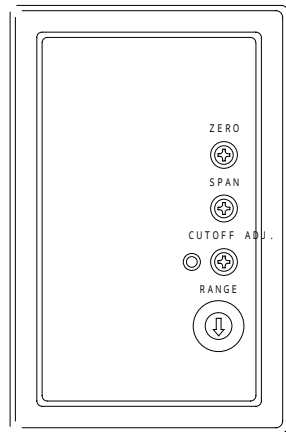
SOCKET



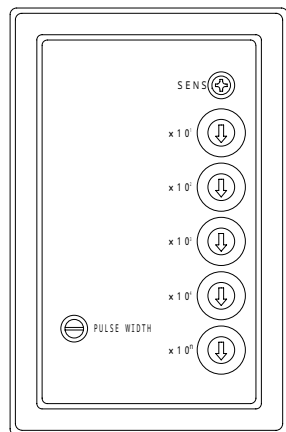
TSURUGA ELECTRIC CORPORATION. All rights reserved.

REVISED	DATE	APPROVED BY	TITLE 7512, 7513, 7514 7515, 7516, 7532 7552, 7562, 7564 7572, 7581, 7582
	SCALE	CHECKED BY	
	DESIGNED BY	DRAWN BY	
	TSURUGA ELECTRIC CORPORATION		

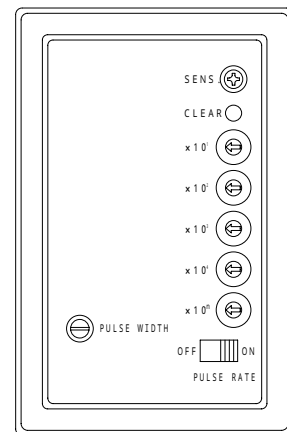
MODEL 7574 ONLY



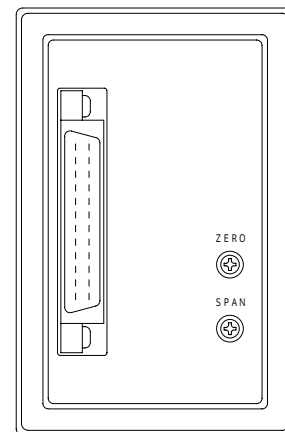
MODEL 7573 ONLY



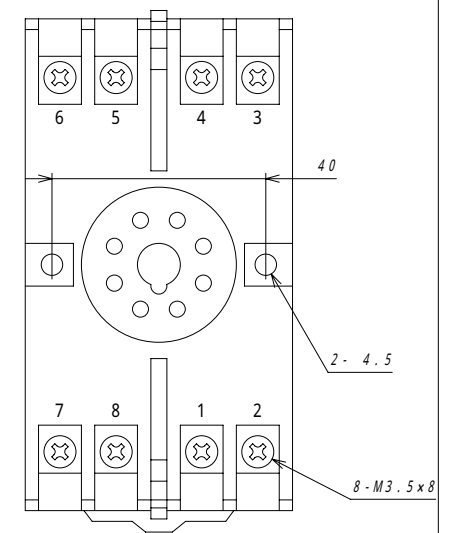
MODEL 7576 ONLY

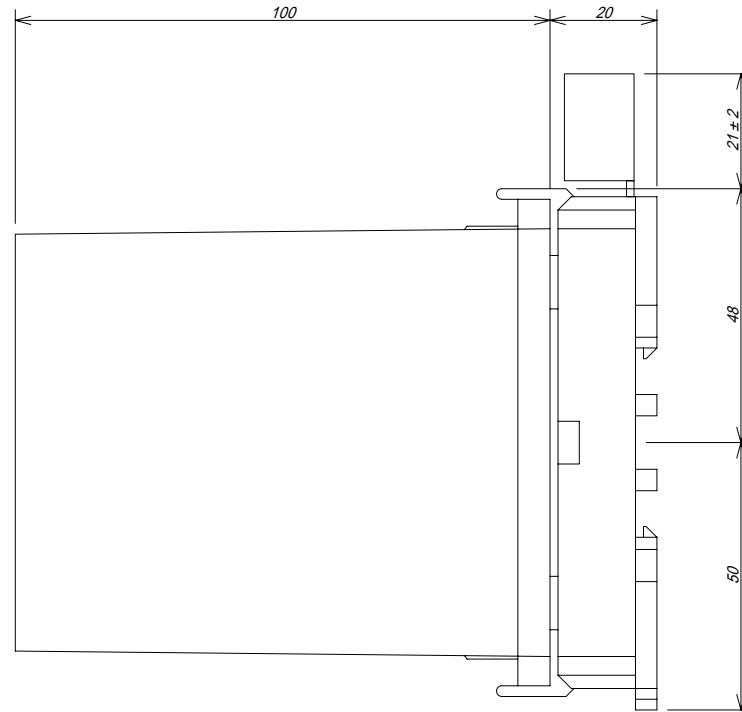
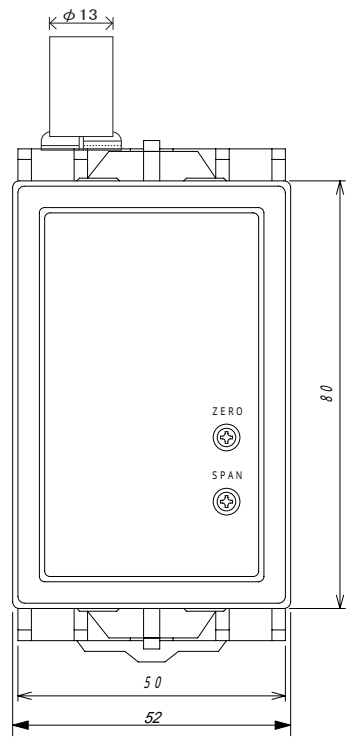


MODEL 7591 ONLY

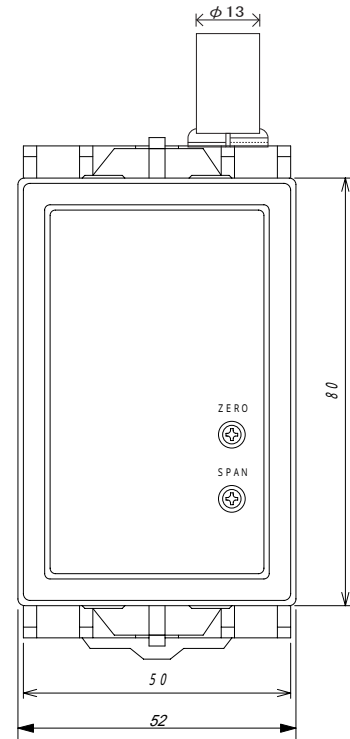
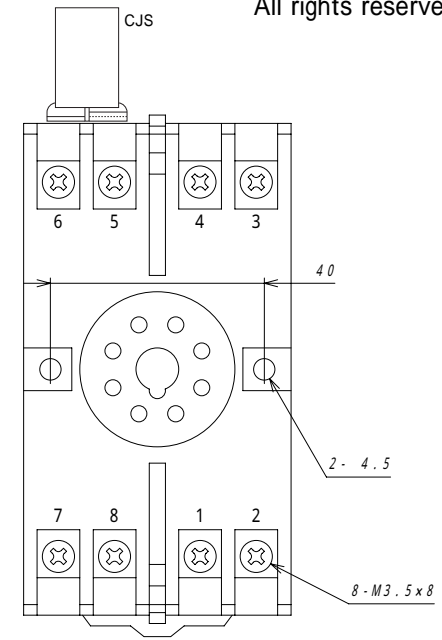


SOCKET

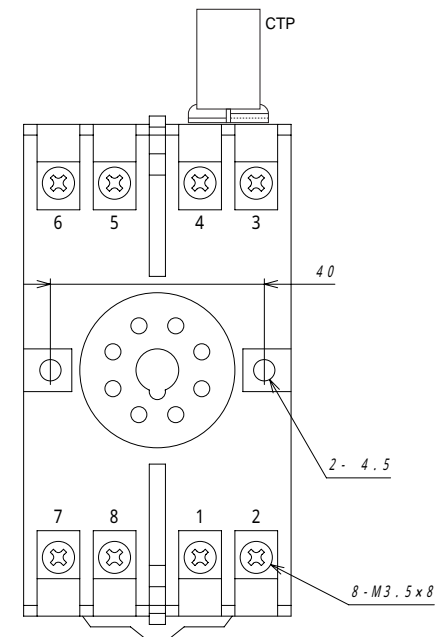


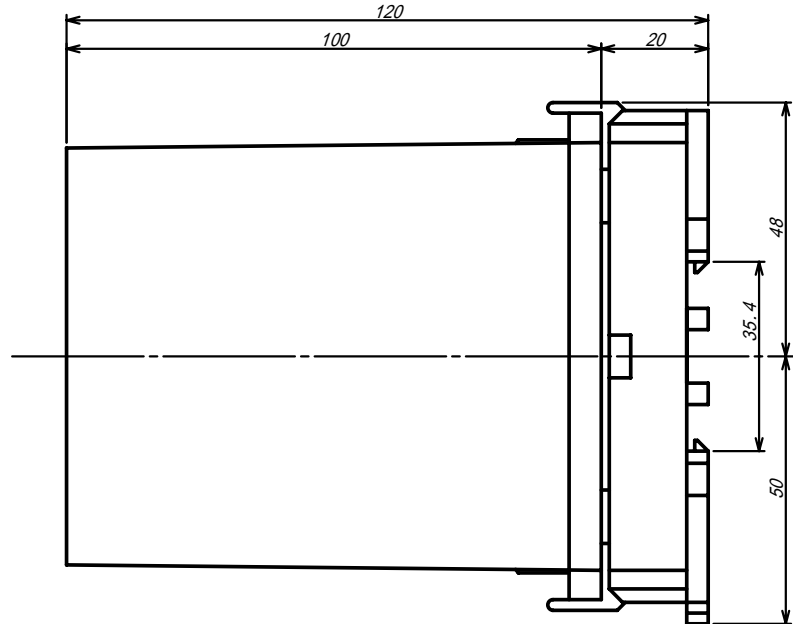
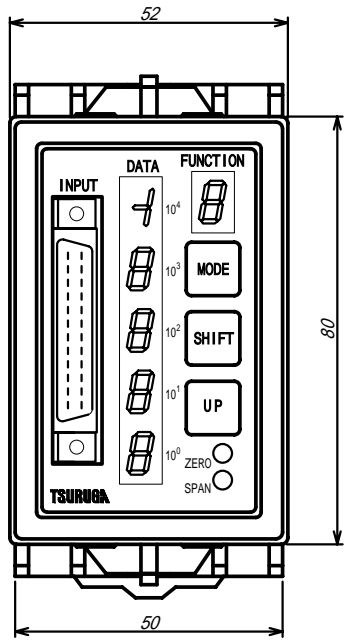


MODEL : 7522

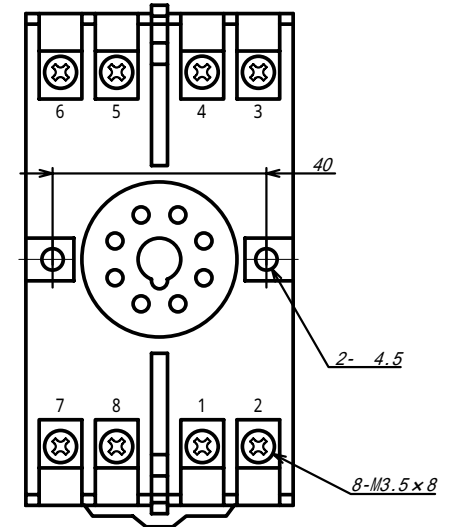


MODEL : 7541, 7542





SOCKET



TSURUGA ELECTRIC CORPORATION. All rights reserved.

REVISED	DATE	APPROVED BY	TITLE 7592
	SCALE	CHECKED BY	
	DESIGNED BY	DRAWN BY	
	TSURUGA ELECTRIC CORPORATION		