

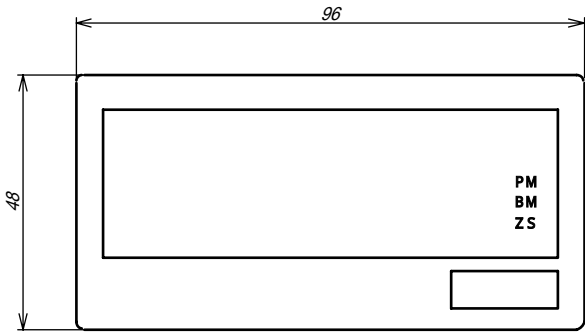
Panel cut-out dimension $92^{+0.8} \times 45^{+0.6}$
Terminal screws : M3

TSURUGA ELECTRIC CORPORATION. All right.reserved.

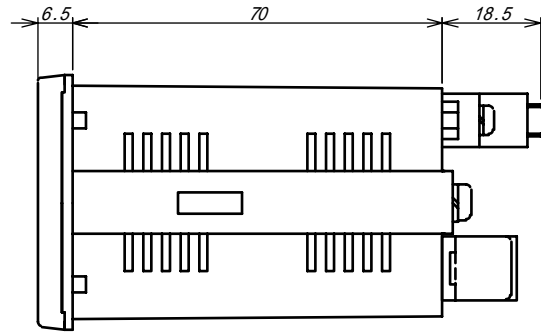
REVISED	DATE	Jul. 25, 2005	APPROVED BY	TITLE	
	SCALE		CHECKED BY		4 8 2 A
	DESIGNED BY	S. Mayumi	DRAWN BY	S. Mayumi	DRAWING No.
	TSURUGA ELECTRIC CORPORATION			FC-01287	
				1/2	

TYPE - B
TYPE - D

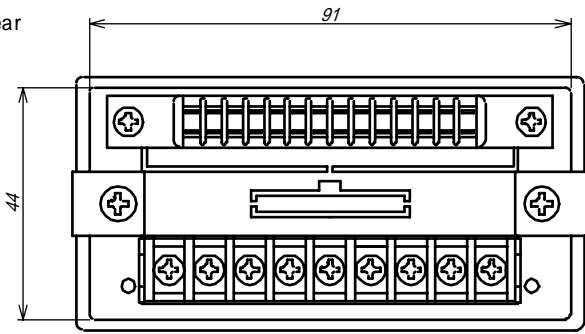
Front



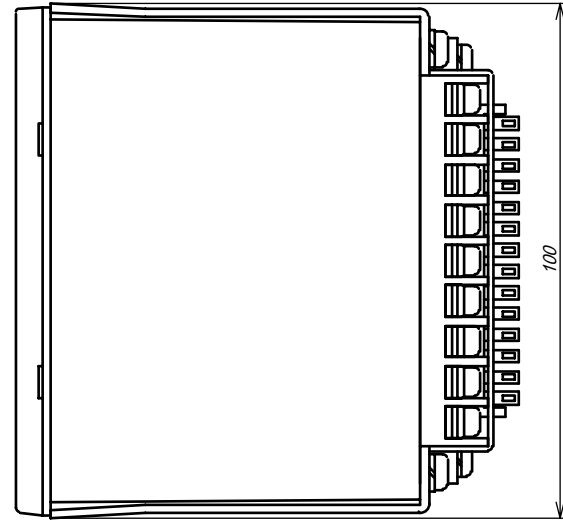
Side



Rear

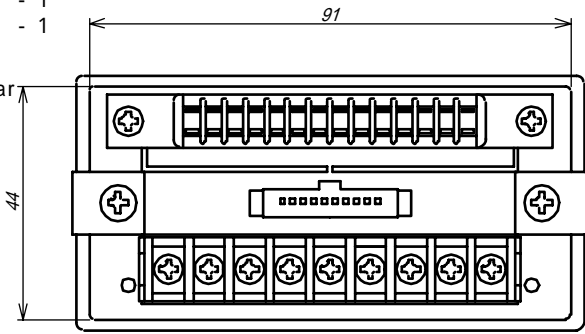


Bottom

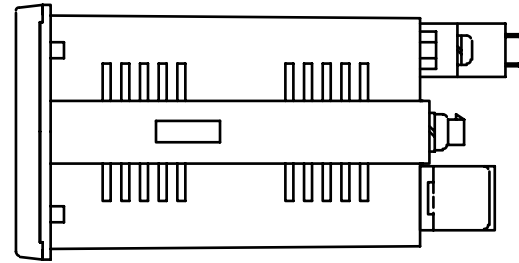


TYPE - B - 1
TYPE - D - 1

Rear



Side



TSURUGA ELECTRIC CORPORATION. All right.reserved.

REVISED	DATE	Jul. 25, 2005	APPROVED BY	TITLE	
	SCALE		CHECKED BY		4 8 2 A
	DESIGNED BY	S. Mayumi	DRAWN BY	S. Mayumi	DRAWING No.
	TSURUGA ELECTRIC CORPORATION			FC-01287	