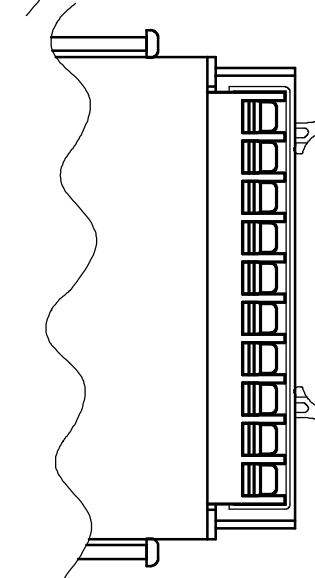
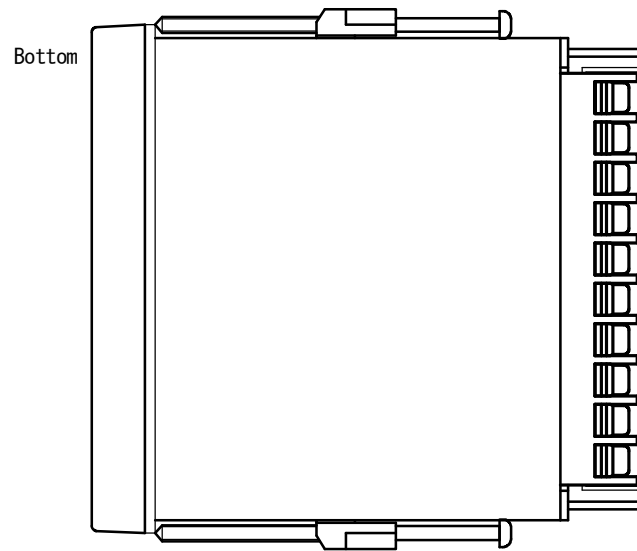
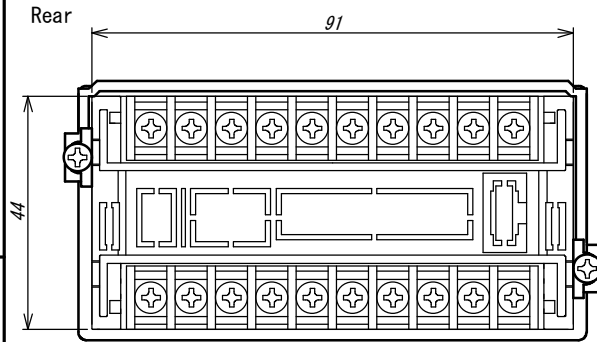
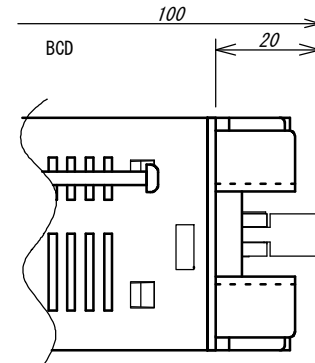
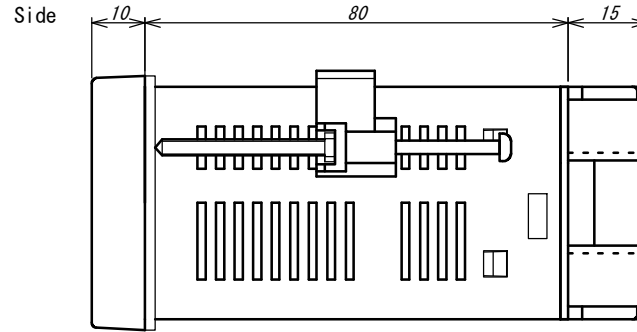
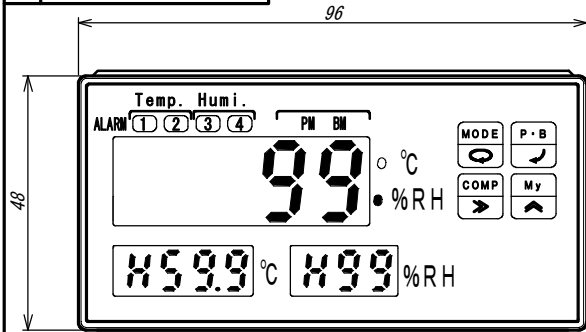
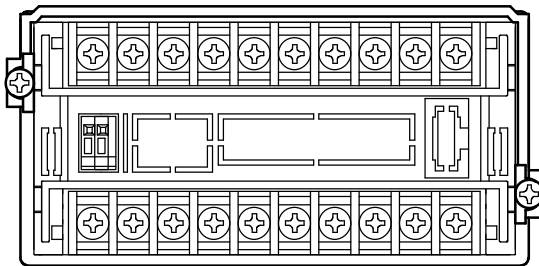


FC-01479

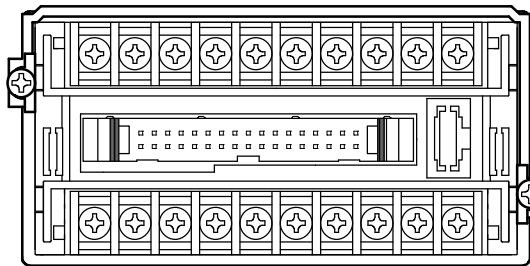
DRAWING No.



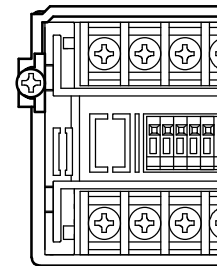
ANALOG



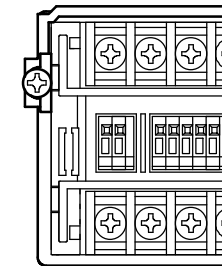
BCD



RS-232C, RS-485



ANALOG+RS-232C, ANALOG+RS-485

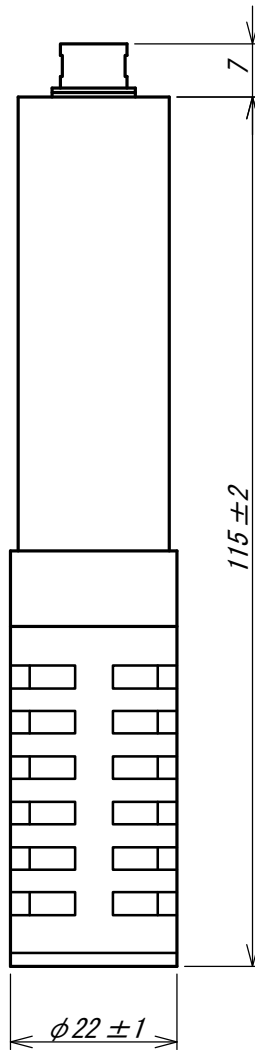


Panel cut-out dimension $92^{+0.8} \times 45^{+0.6}$
Terminal screws : M3

TSURUGA ELECTRIC CORPORATION. All rights reserved.

DATE Mar. 23, 2010	APPROVED BY	TITLE 452H DMR
SCALE	CHECKED BY	DRAWING No. FC-01479
DESIGNED BY H. Saeki	DRAWN BY H. Saeki	
TSURUGA ELECTRIC CORPORATION		

DRAWING No. FB-00686-2 1/1



TSURUGA ELECTRIC CORPORATION. All Rights Reserved.

REVISED	DATE	APPROVED BY	TITLE
	SCALE	CHECKED BY	SENSOR 5816-22
△ Oct. 20. 2009 S. Okano △ Jun. 27. 2006 N. Mizutani	DESIGNED BY	DRAWN BY	DRAWING No.
	TSURUGA ELECTRIC CORPORATION		FB-00686-2 1/1