

PANEL CUTOUT : $92^{+0.8}_0 \times 92^{+0.8}_0$

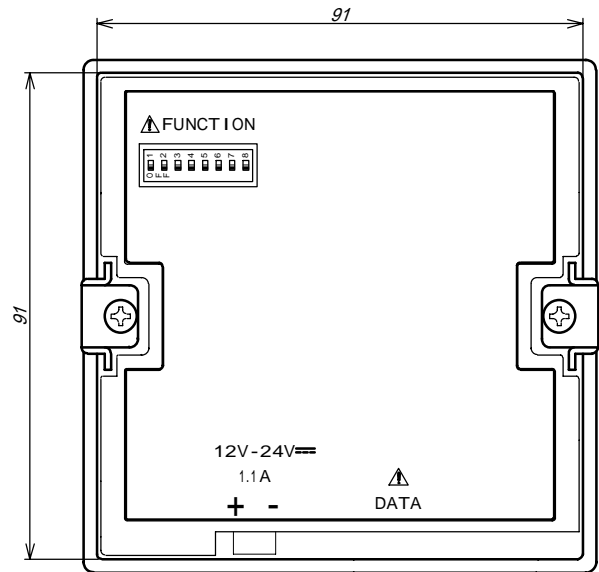
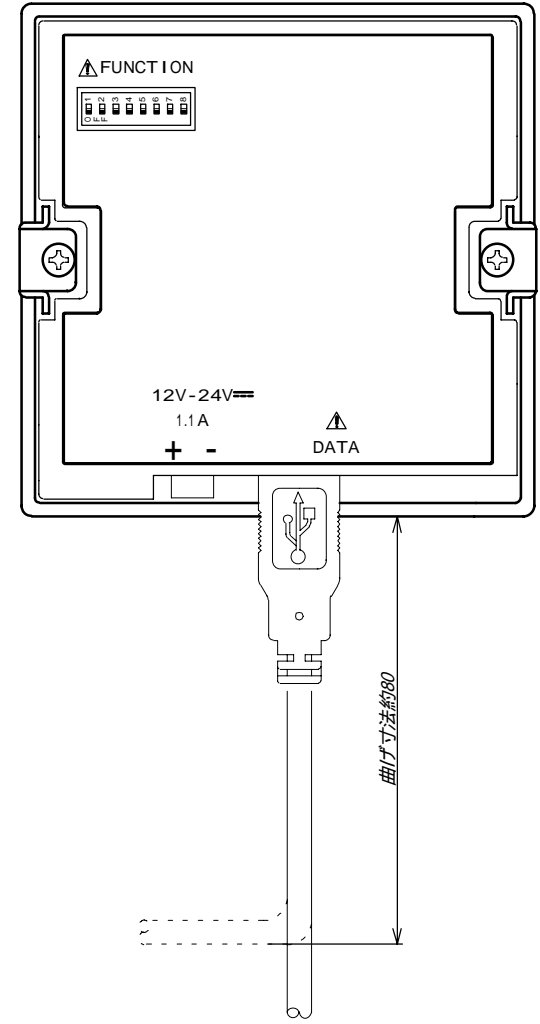
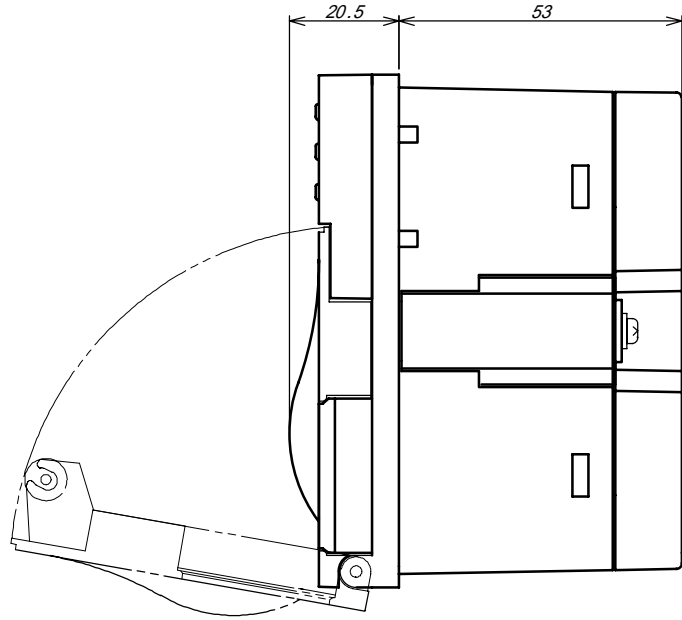
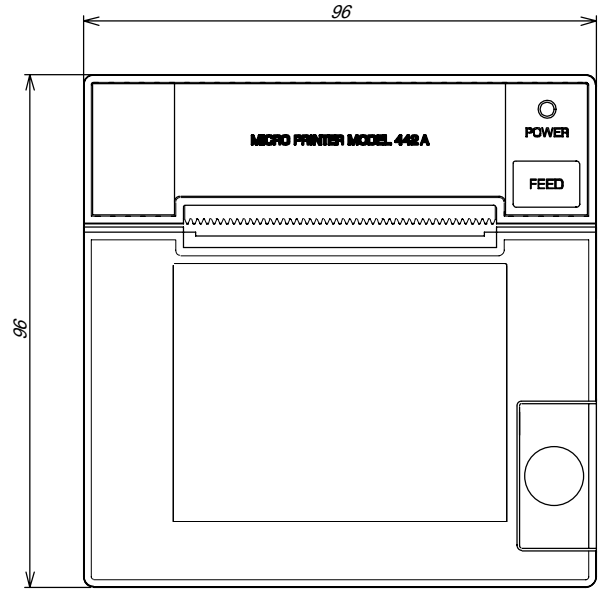
TERMINAL SCREW : M3 SCREW

UNIT mm

TSURUGA ELECTRIC CORPORATION. All rights reserved.

| | | | | |
|---------|------------------------------|---------------|-------------|------------------|
| REVISED | DATE | Jun. 15. 2007 | APPROVED BY | TITLE |
| | SCALE | | CHECKED BY | |
| | DESIGNED BY | | DRAWN BY | DRAWING No. |
| | TSURUGA ELECTRIC CORPORATION | | | FC-01323- 1/2 |

442A-E2



PANEL CUTOUT : $92^{+0.8} \times 92^{+0.8}$
 TERMINAL SCREW : M3 SCREW
 UNIT mm

TSURUGA ELECTRIC CORPORATION . All rights reserved .

| | | | | |
|---------|------------------------------|---------------|-------------|-------------|
| REVISED | DATE | Jun. 15. 2007 | APPROVED BY | TITLE |
| | SCALE | | CHECKED BY | |
| | DESIGNED BY | | DRAWN BY | DRAWING No. |
| | TSURUGA ELECTRIC CORPORATION | | | FC-01323- |