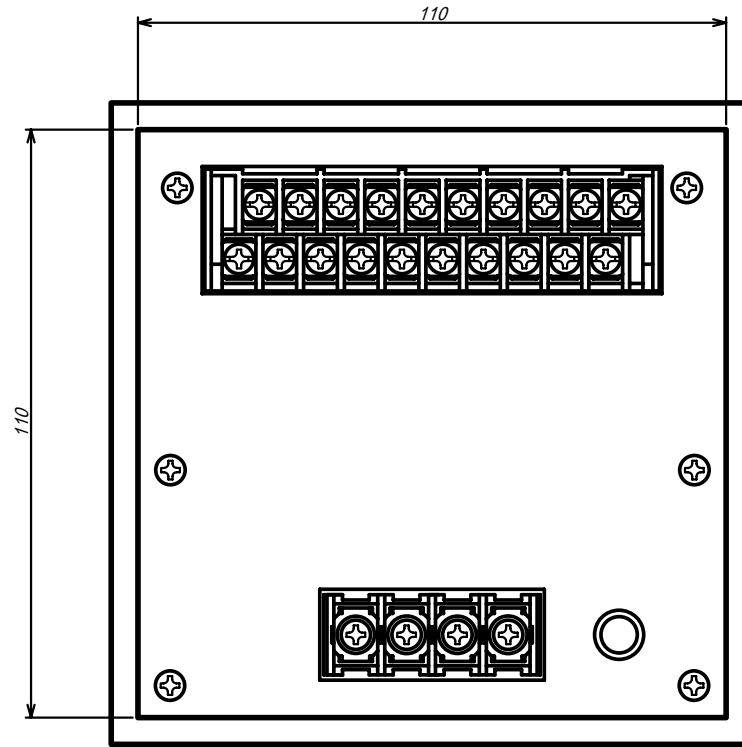
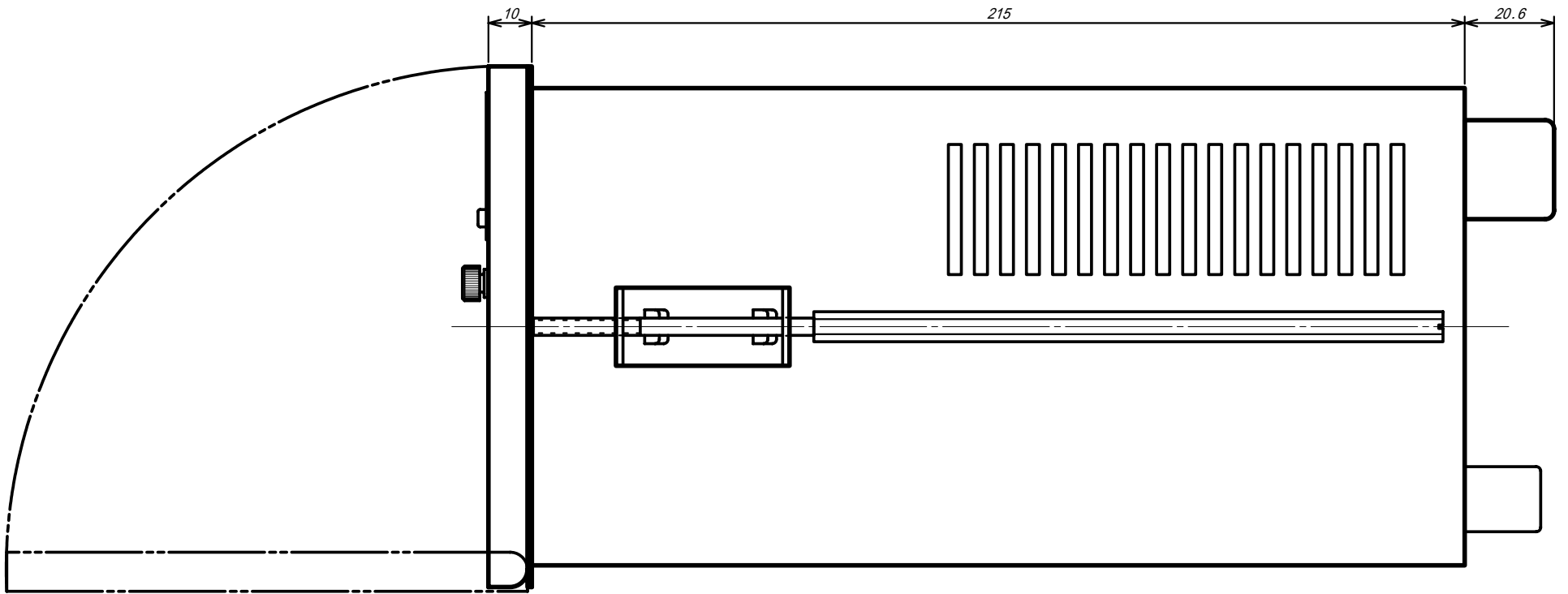


正面図



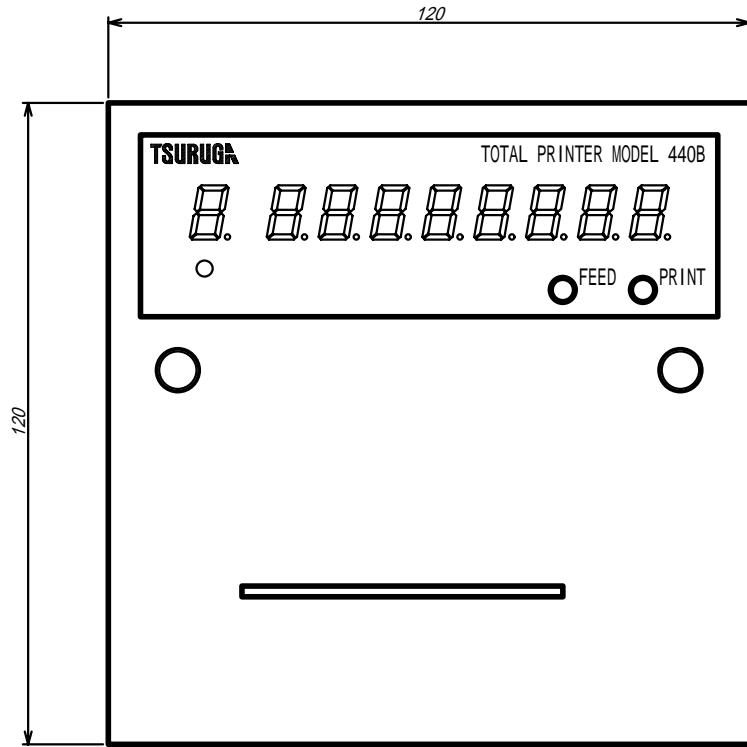
背面図

| | | | | |
|---------|------------------------------|---------------|-------------|-------------|
| REVISED | DATE | Jul. 30. 1998 | APPROVED BY | TITLE |
| | SCALE | | CHECKED BY | |
| | DESIGNED BY | | DRAWN BY | 440A 外形図 |
| | TSURUGA ELECTRIC CORPORATION | | | DRAWING No. |

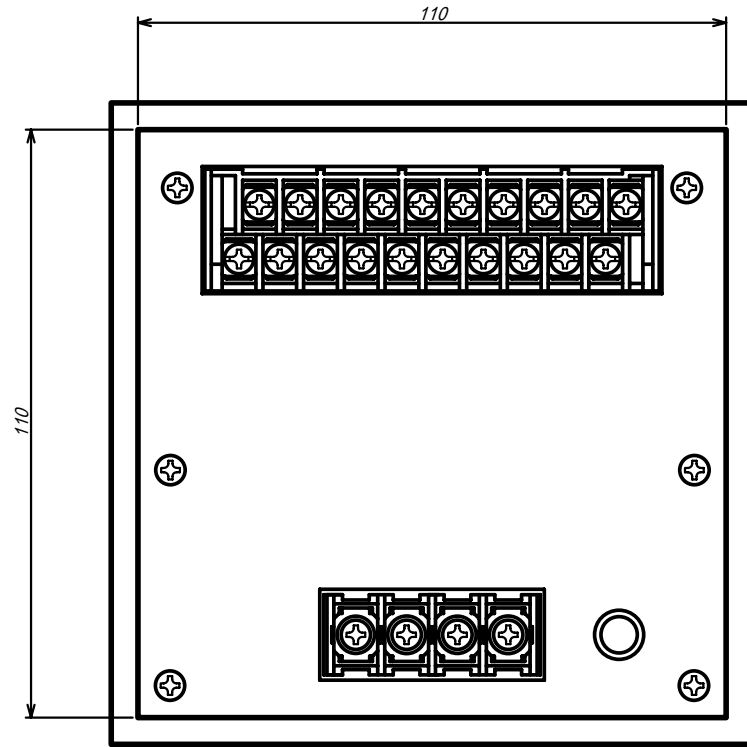


右側面図

| | | | | |
|---------|------------------------------|---------------|-------------|----------------------|
| REVISED | DATE | Jul. 30. 1998 | APPROVED BY | TITLE |
| | SCALE | | CHECKED BY | 積算ドットインパクトプリンタ |
| | DESIGNED BY | | DRAWN BY | 440A 外形図 |
| | TSURUGA ELECTRIC CORPORATION | | | DRAWING No. FC-01006 |

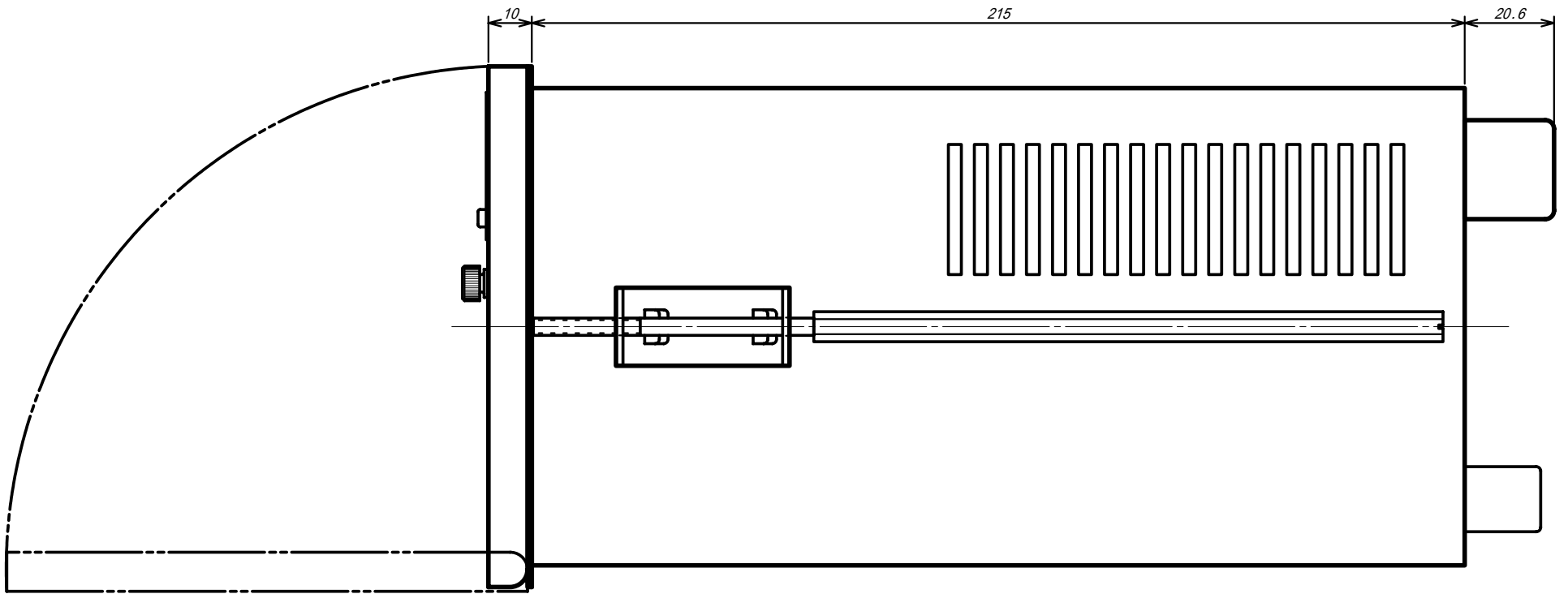


正面図



背面図

| | | | | |
|---------|------------------------------|--------------|-------------|-------------|
| REVISED | DATE | Feb. 3, 1998 | APPROVED BY | TITLE |
| | SCALE | | CHECKED BY | |
| | DESIGNED BY | | DRAWN BY | 440B 外形図 |
| | TSURUGA ELECTRIC CORPORATION | | | DRAWING No. |



右側面図

| | | | | |
|---------|------------------------------|--------------|-------------|----------------------------|
| REVISED | DATE | Feb. 3. 1998 | APPROVED BY | TITLE |
| | SCALE | | CHECKED BY | 積算ドットインパクトプリンタ |
| | DESIGNED BY | | DRAWN BY | 440B 外形図 |
| | TSURUGA ELECTRIC CORPORATION | | | DRAWING No. FC-00982-1 2/2 |