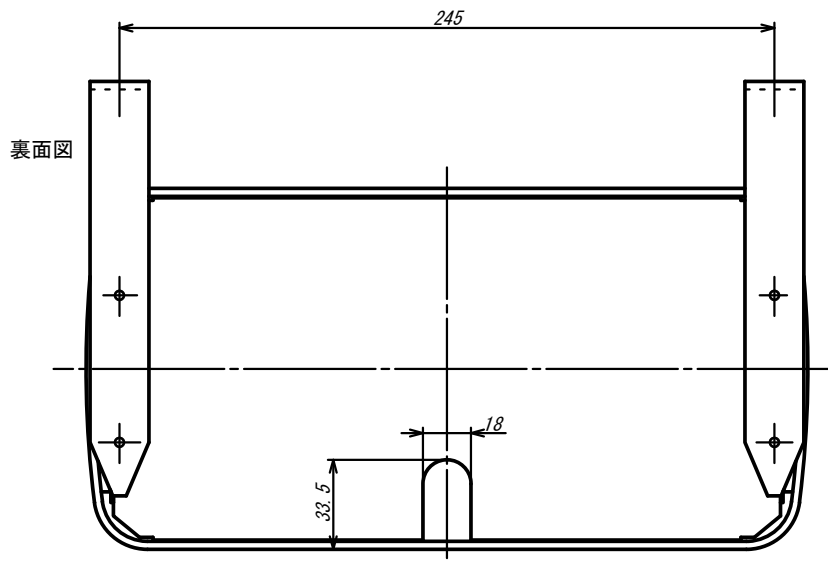
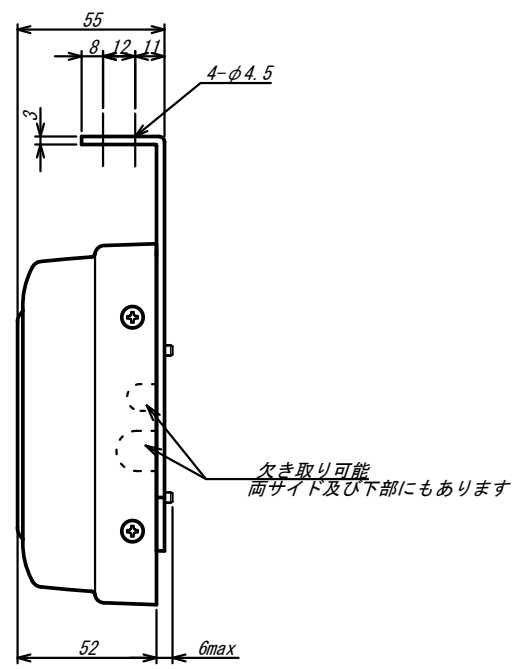
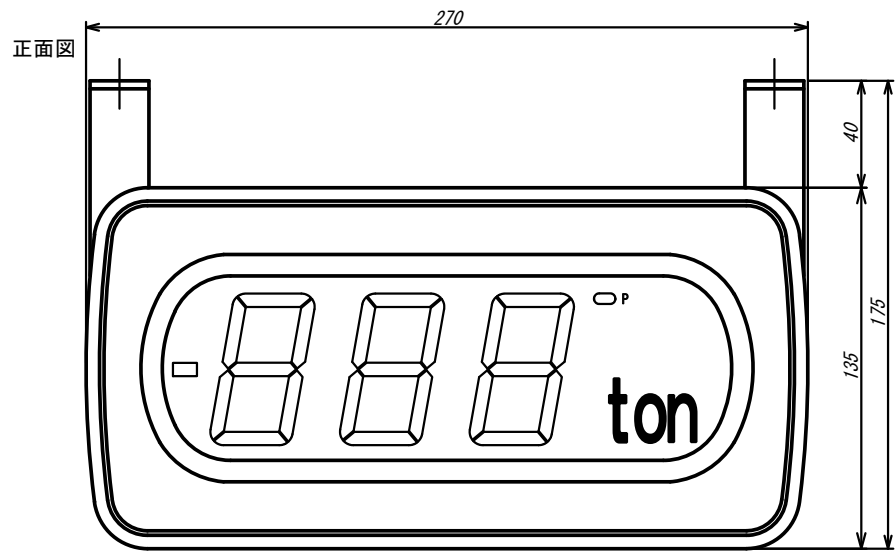


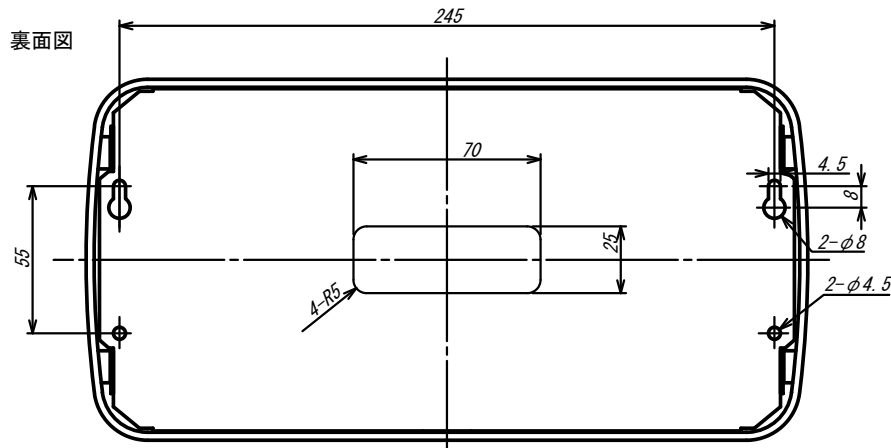
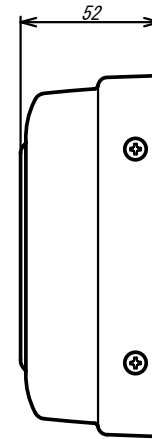
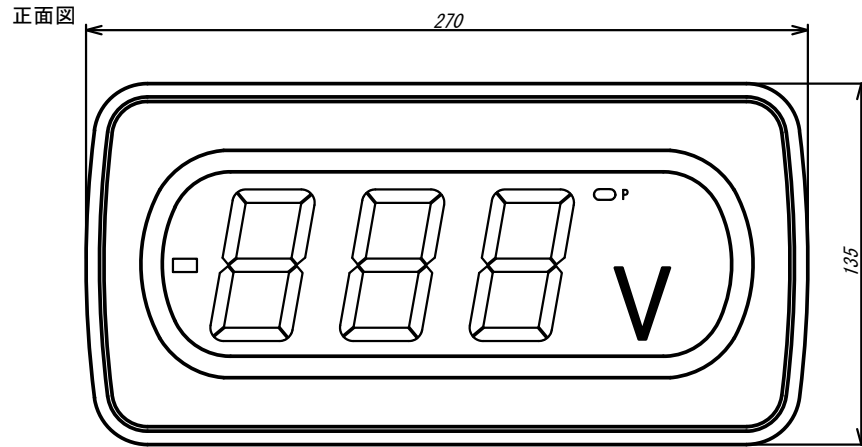
TSURUGA ELECTRIC CORPORATION. All rights reserved.

REVISED	DATE	Apr. 3, 2003	APPROVED BY	TITLE
	SCALE		CHECKED BY	4021-□□
	DESIGNED BY		DRAWN BY	4022-□□
				-51 (壁掛け取付)
TSURUGA ELECTRIC CORPORATION			DRAWING No.	FC-01197-1



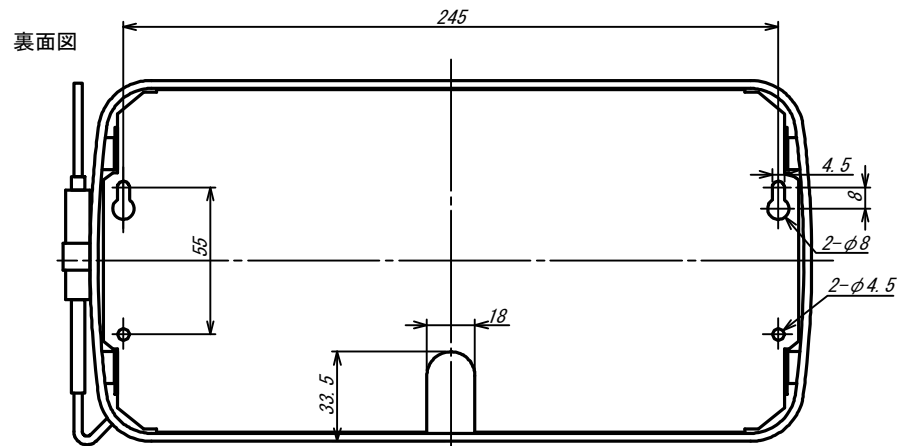
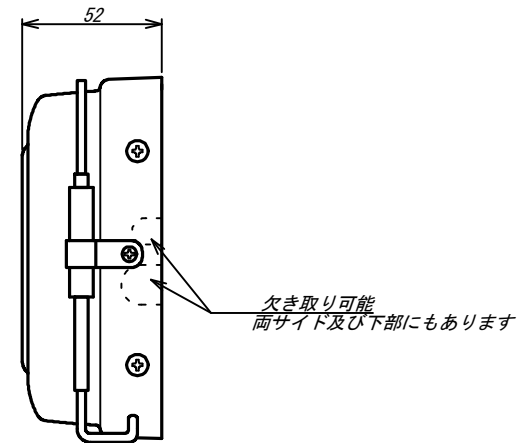
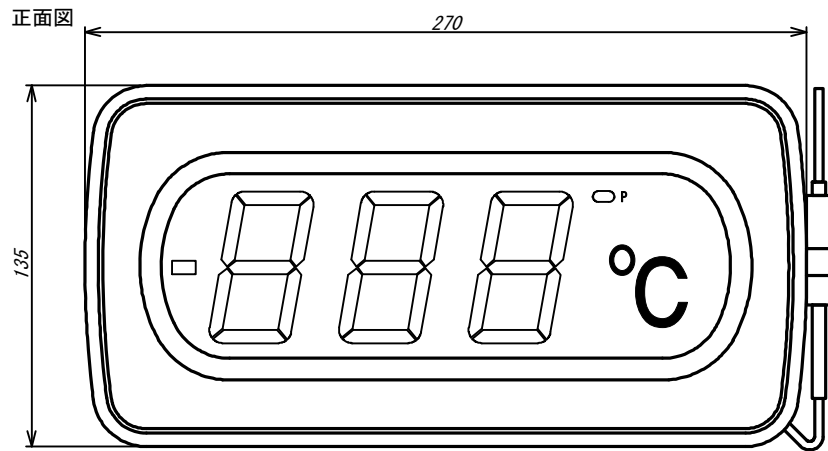
TSURUGA ELECTRIC CORPORATION. All rights reserved.

REVISED	DATE	Apr. 3, 2003	APPROVED BY	TITLE
	SCALE		CHECKED BY	4021-□□
	DESIGNED BY		DRAWN BY	4022-□□
				-52 (吊り下げ取付)
TSURUGA ELECTRIC CORPORATION			DRAWING No.	FC-01198-1
Jul. 23, 2013 Y. Morikane				



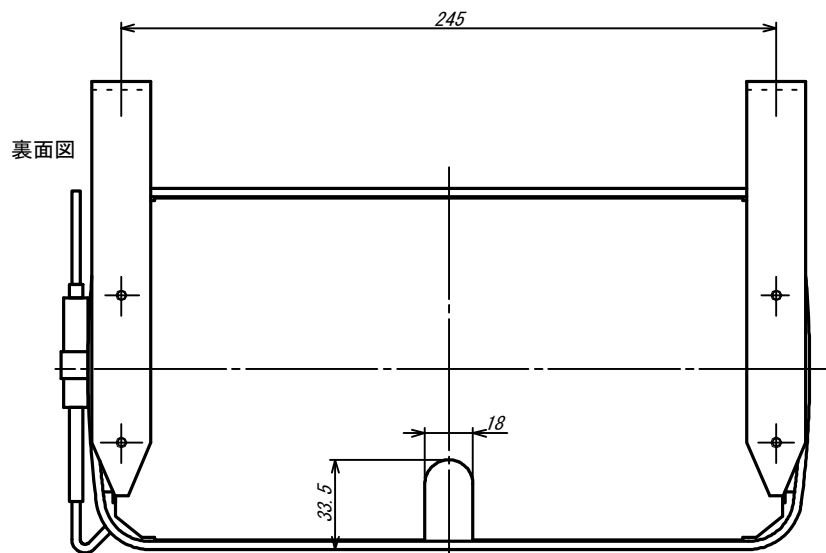
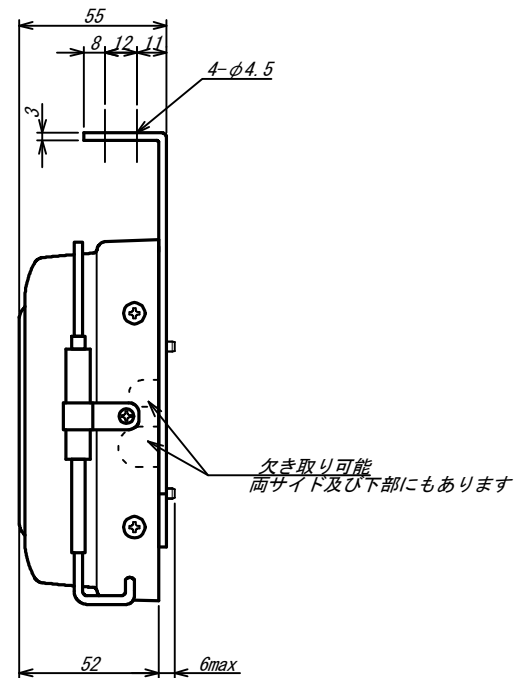
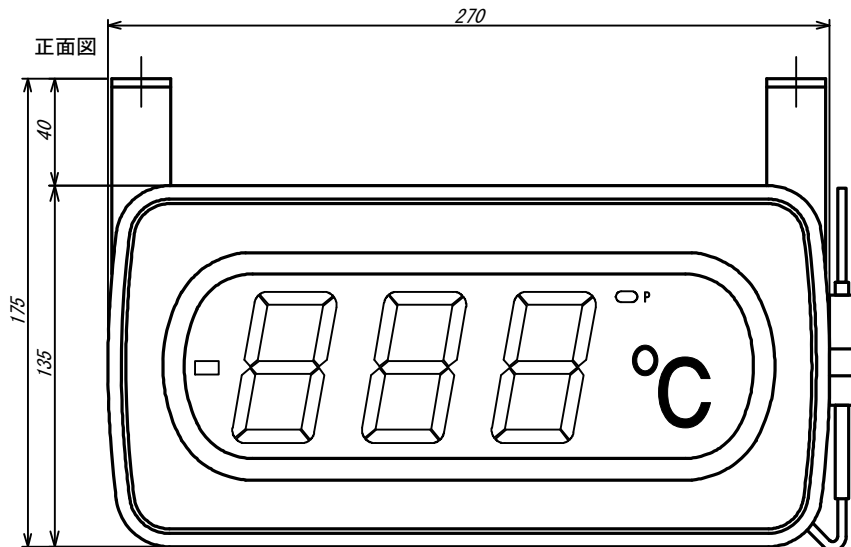
TSURUGA ELECTRIC CORPORATION. All rights reserved.

REVISED	DATE	Apr. 3, 2003	APPROVED BY	TITLE
	SCALE		CHECKED BY	4021-□□
	DESIGNED BY		DRAWN BY	4022-□□
				-53 (壁面張り付け取付)
	TSURUGA ELECTRIC CORPORATION			DRAWING No. FC-01199-1



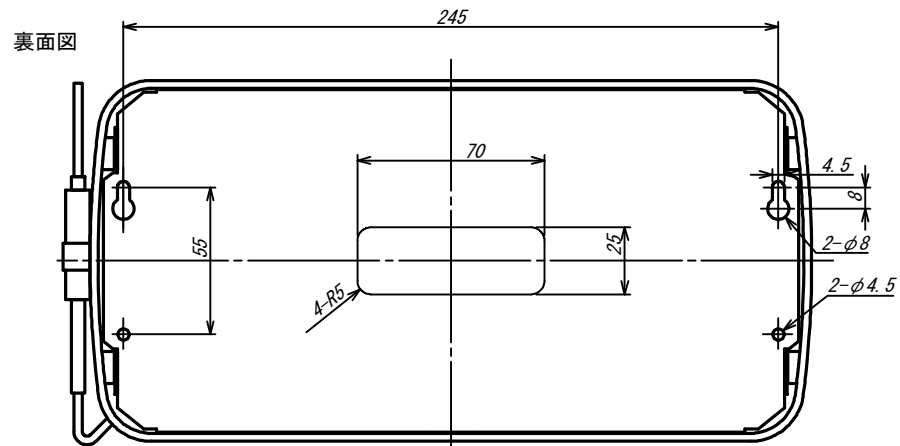
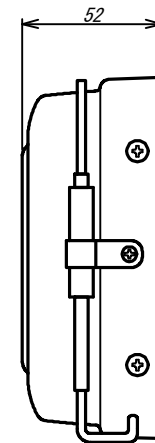
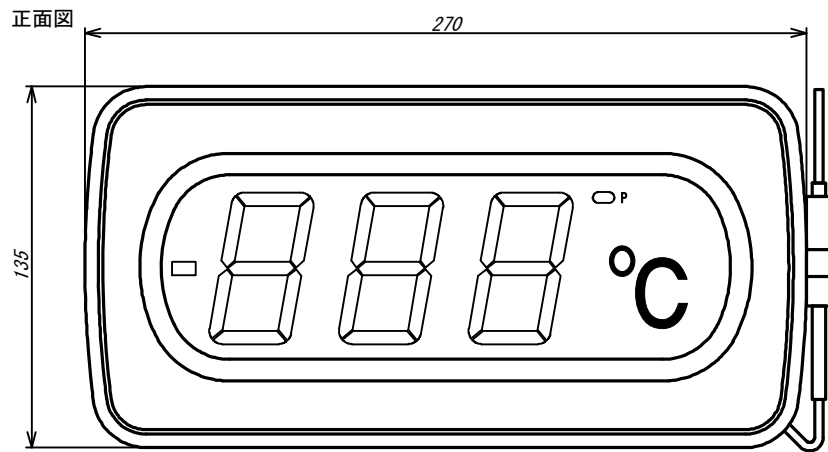
TSURUGA ELECTRIC CORPORATION. All right reserved.

REVISED	DATE	Apr. 9, 2003	APPROVED BY	TITLE
	SCALE		CHECKED BY	4021-1□ Ptセンサー一体形 -61 (壁掛け取付)
	DESIGNED BY		DRAWN BY	DRAWING No.
	TSURUGA ELECTRIC CORPORATION			FC-01202
				1/1



TSURUGA ELECTRIC CORPORATION. All right reserved.

REVISED	DATE	Apr. 9, 2003	APPROVED BY	TITLE
	SCALE		CHECKED BY	4021-1□ Ptセンサー一体形 -62(吊り下げ取付)
	DESIGNED BY		DRAWN BY	DRAWING No.
	TSURUGA ELECTRIC CORPORATION			FC-01203 1/1



TSURUGA ELECTRIC CORPORATION. All right reserved.

REVISED	DATE	Apr. 9, 2003	APPROVED BY	TITLE
	SCALE		CHECKED BY	4021-1□
	DESIGNED BY		DRAWN BY	Pt センサー一体形
				-63 (壁面張り付け取付)
TSURUGA ELECTRIC CORPORATION			DRAWING No.	FC-01204-1/1
<p>△ Aug. 25, 2010 Morikane</p>				