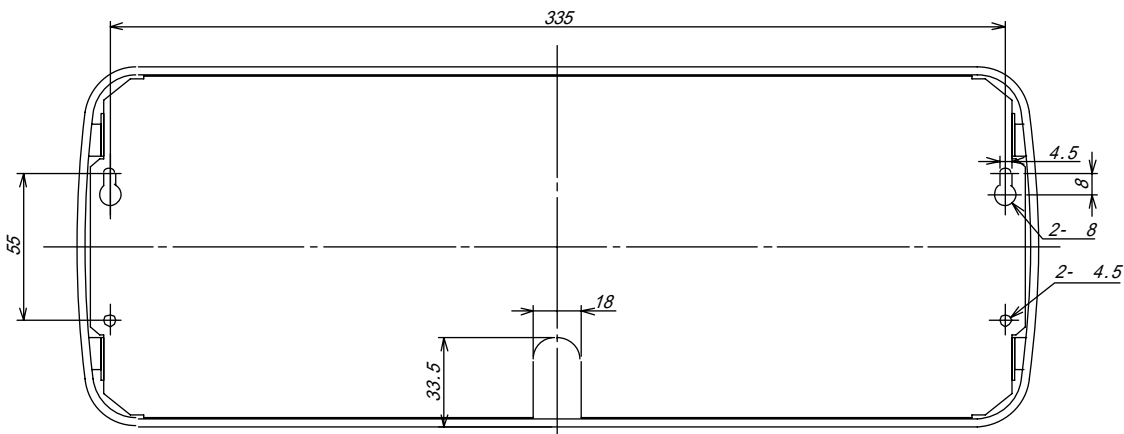
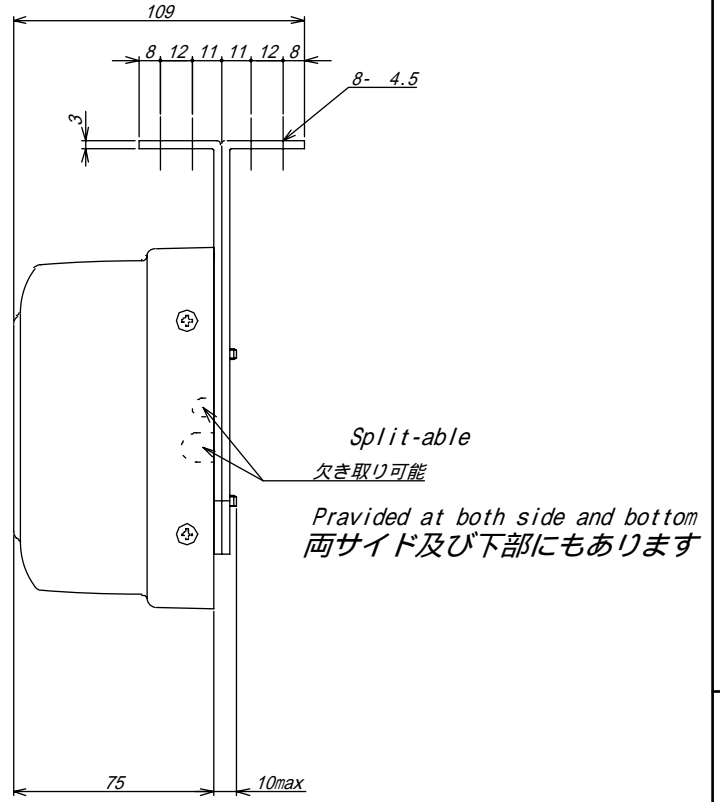
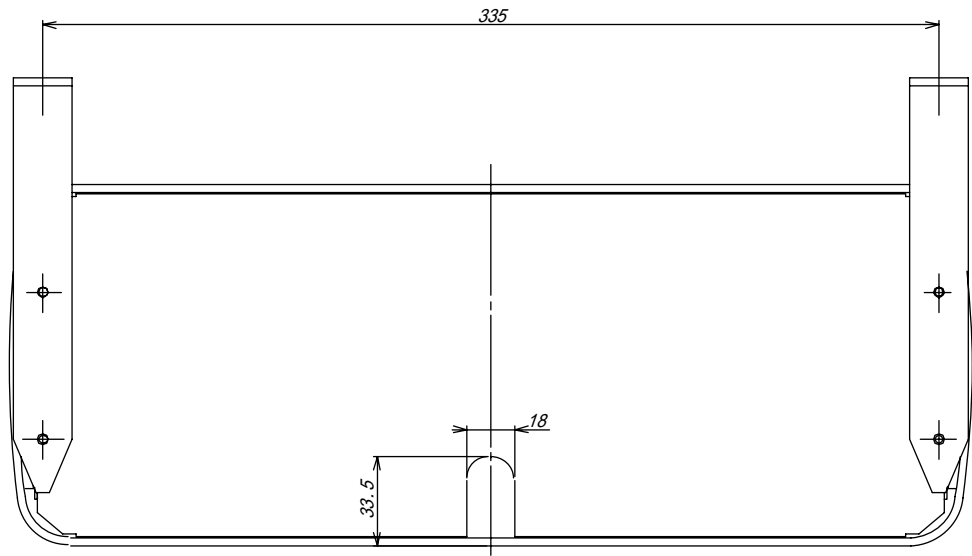
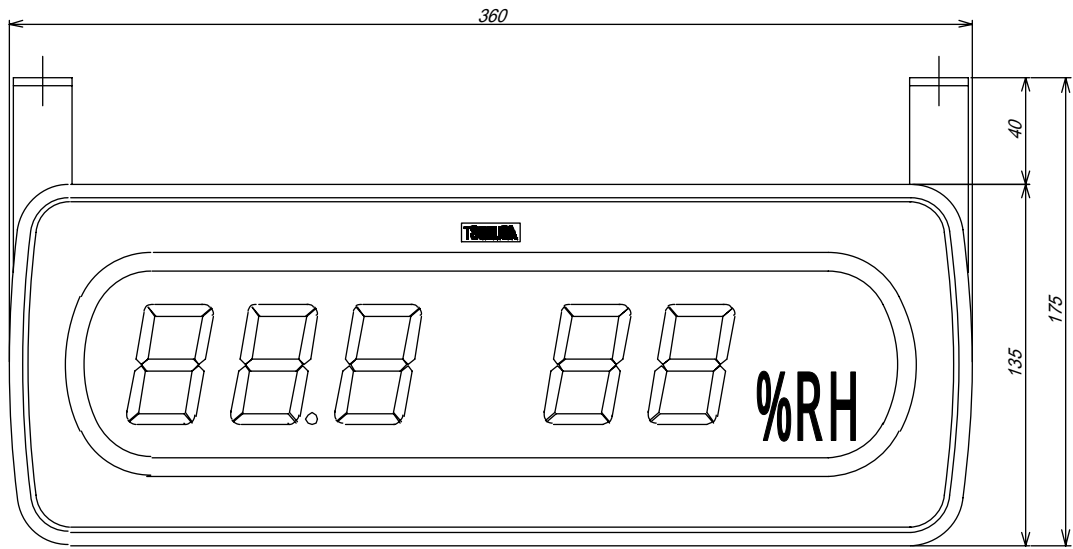


Split-able  
欠き取り可能  
Provided at both side and bottom  
両サイド及び下部にもあります



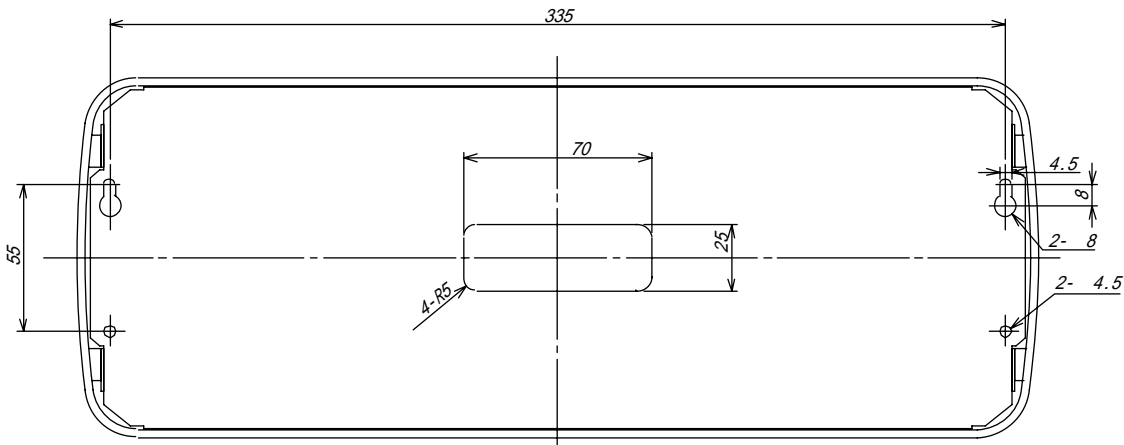
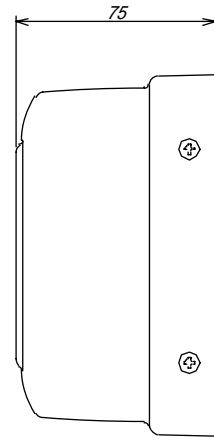
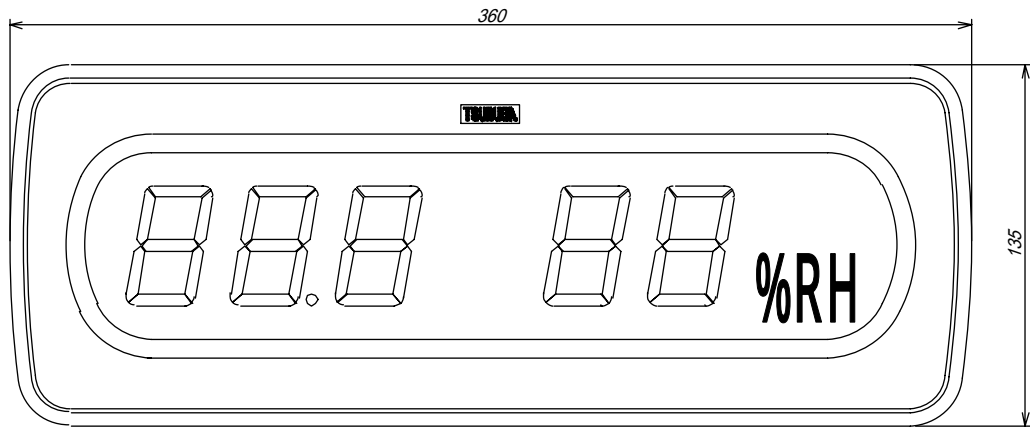
TSURUGA ELECTRIC CORPORATION. All rights reserved.

REVISED	DATE	Dec. 12, 2007	APPROVED BY	TITLE
	SCALE		CHECKED BY	
	DESIGNED BY	S. Mayumi	DRAWN BY	S. Mayumi
	TSURUGA ELECTRIC CORPORATION			DRAWING No.
				4 0 1 7 - 5 1 Wall-mount 壁掛け取付
				1/1



TSURUGA ELECTRIC CORPORATION. All rights reserved.

REVISED	DATE	Dec. 12, 2007	APPROVED BY	TITLE	
	SCALE		CHECKED BY		4 0 1 7 - 5 2 Lift-mount 吊り下げ取付
	DESIGNED BY	S. Mayumi	DRAWN BY	S. Mayumi	DRAWING No.
	TSURUGA ELECTRIC CORPORATION			FC-01387	1/1



TSURUGA ELECTRIC CORPORATION. All rights reserved.

REVISED	DATE	Dec. 12, 2007	APPROVED BY	TITLE
	SCALE		CHECKED BY	
	DESIGNED BY	S. Mayumi	DRAWN BY	S. Mayumi
	TSURUGA ELECTRIC CORPORATION			DRAWING No.
				1/1

4017-53  
Implant-mount  
壁面張り付け取付