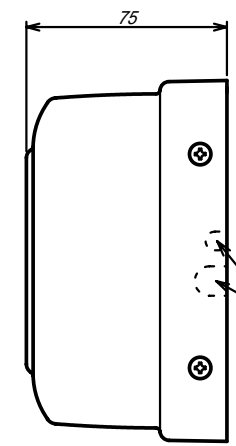
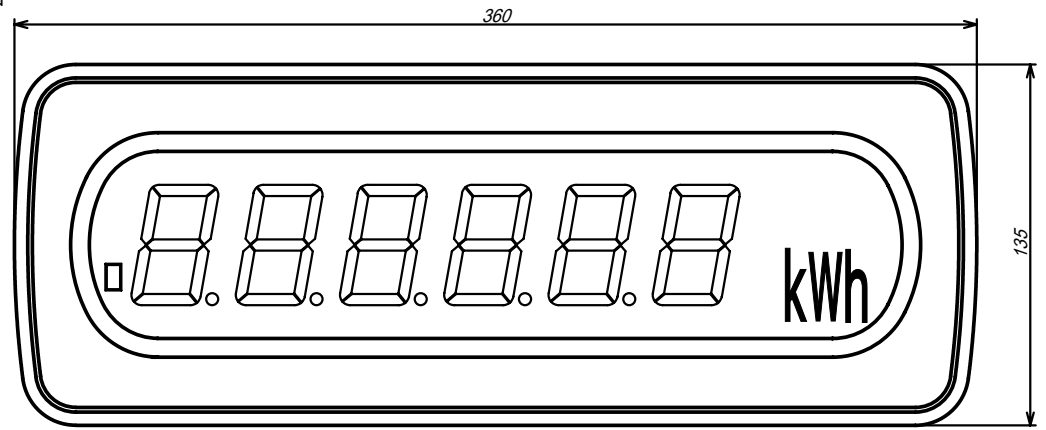
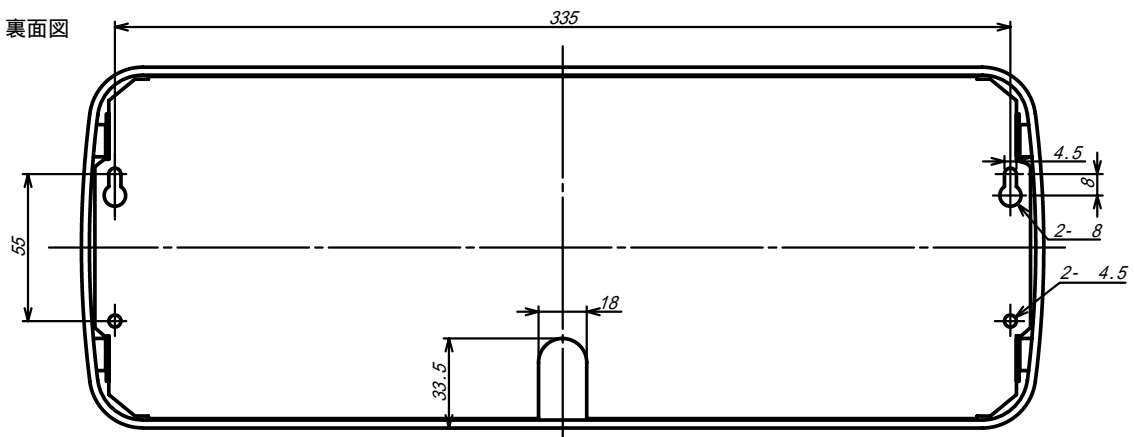


正面図



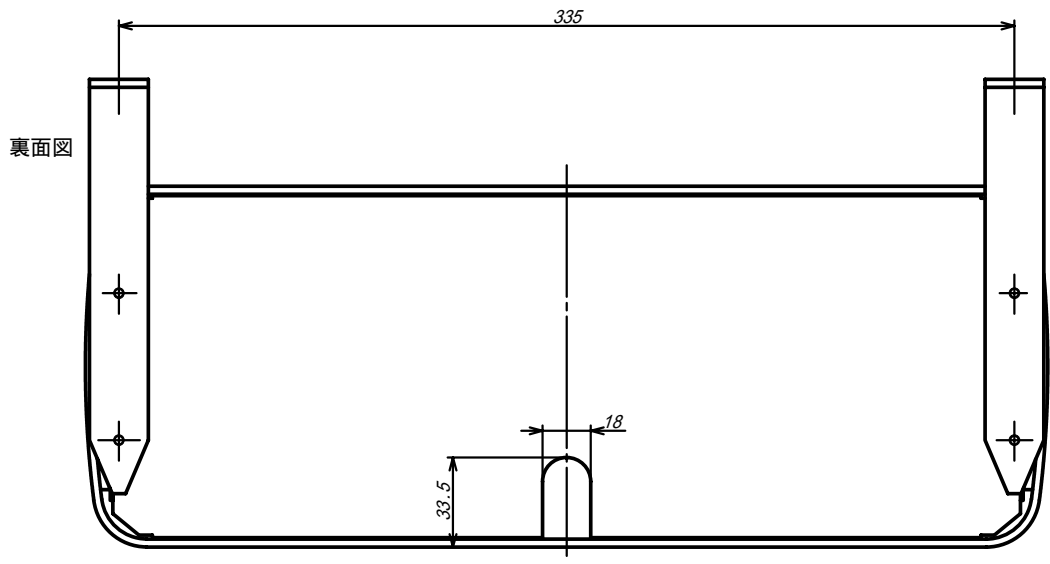
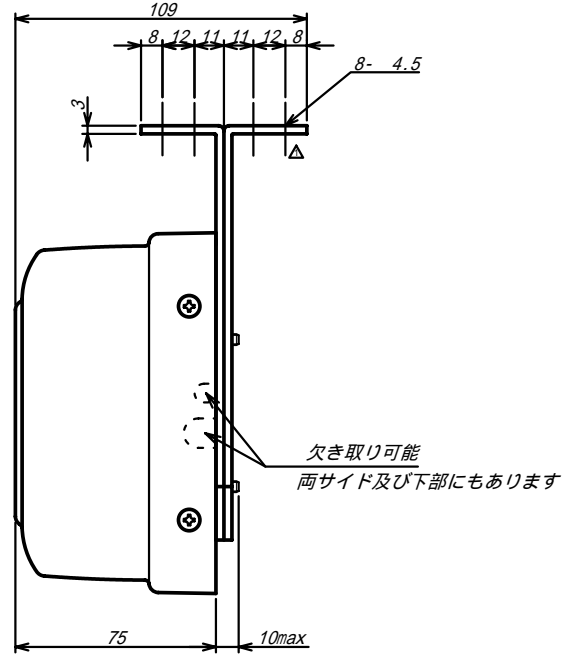
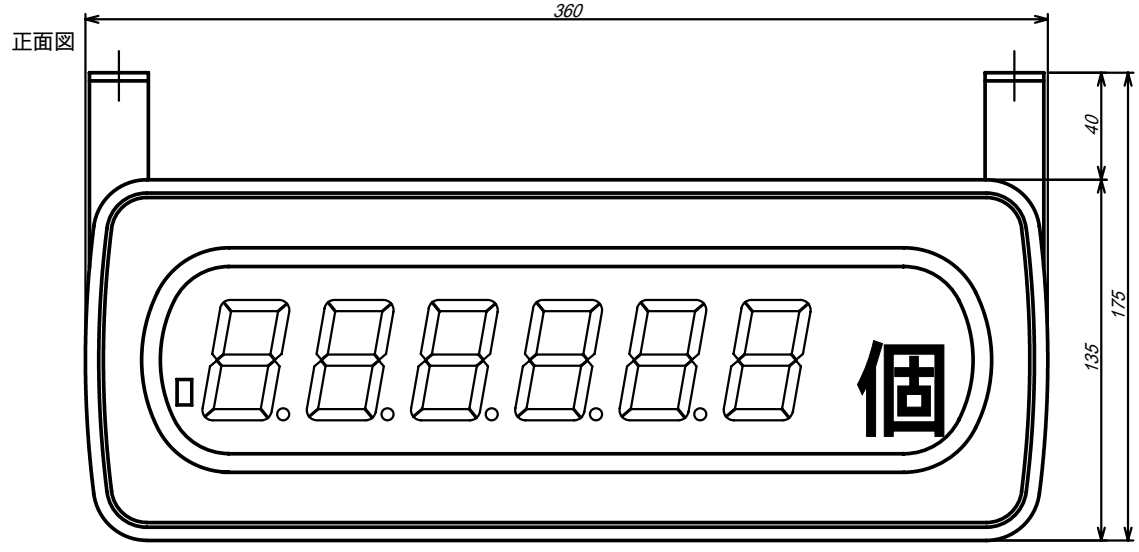
欠き取り可能  
両サイド及び下部にもあります

裏面図



単位 : mm

REVISED	DATE	Jul. 4, 2001	APPROVED BY	TITLE	4014-51 壁掛け取付外形図
	SCALE		CHECKED BY	DRAWING No.	
	DESIGNED BY		DRAWN BY	FC-01133	1/1
	TSURUGA ELECTRIC CORPORATION				

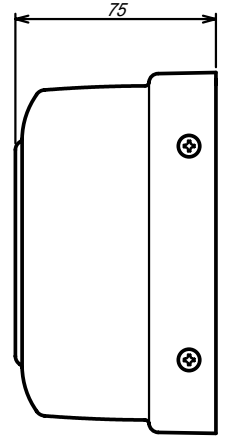
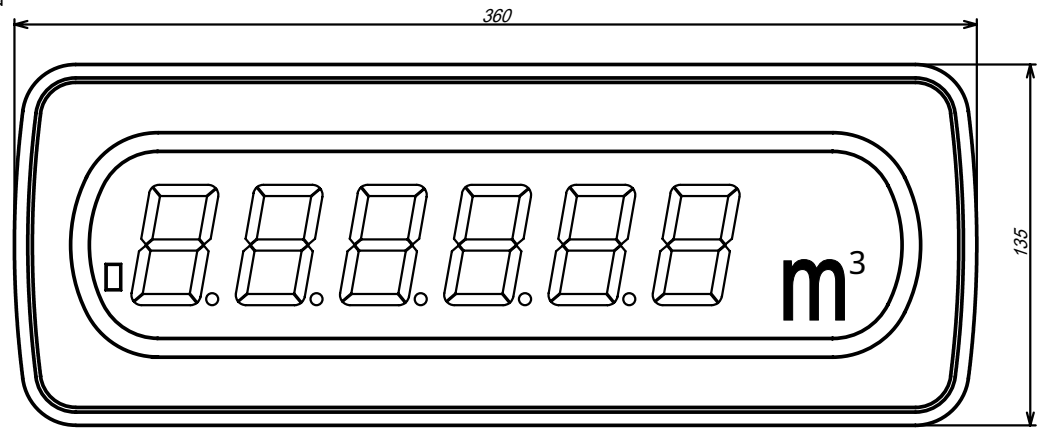


単位 : mm

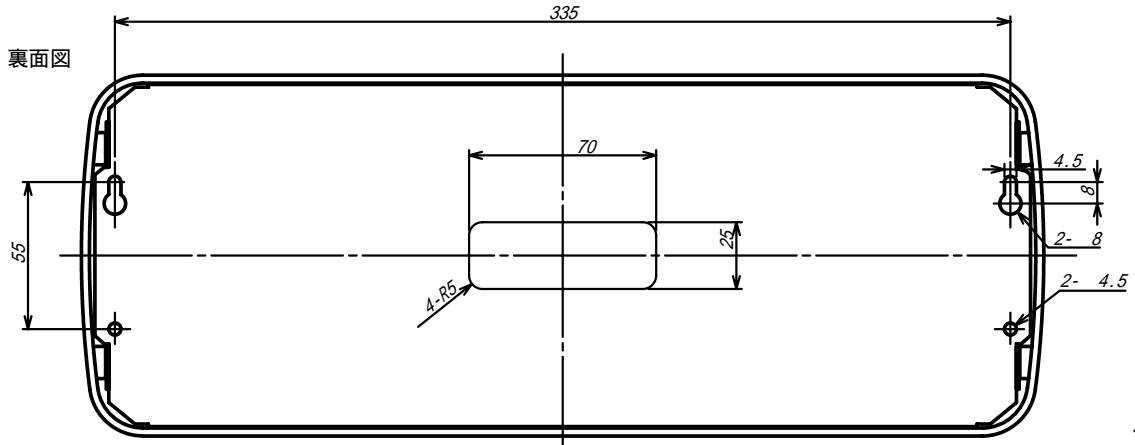
REVISED	DATE	Jul. 4, 2001	APPROVED BY	TITLE
	SCALE		CHECKED BY	
	DESIGNED BY		DRAWN BY	DRAWING No.
	TSURUGA ELECTRIC CORPORATION			FC-01134-1

1/1

正面図



裏面図



単位 : mm

REVISED	DATE	Jul. 4, 2001	APPROVED BY	TITLE	4014-53
	SCALE		CHECKED BY	壁面張り付け取付外形図	
	DESIGNED BY		DRAWN BY	DRAWING No.	FC-01135
	TSURUGA ELECTRIC CORPORATION				1/1