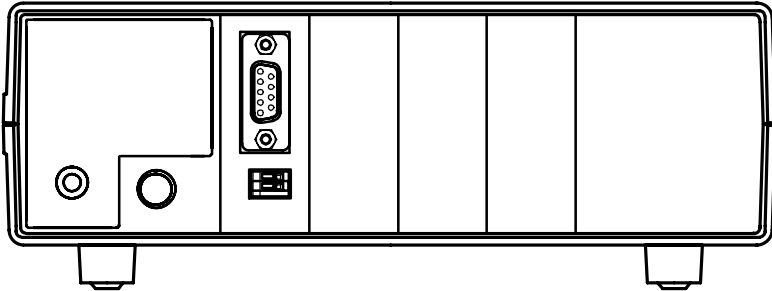
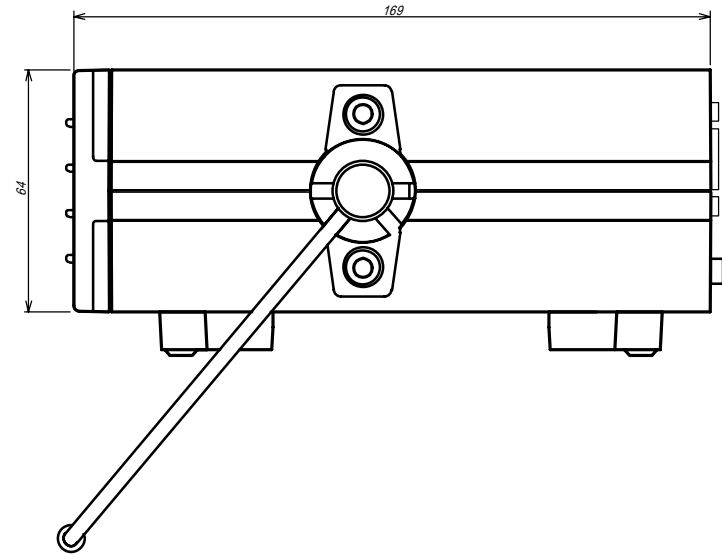
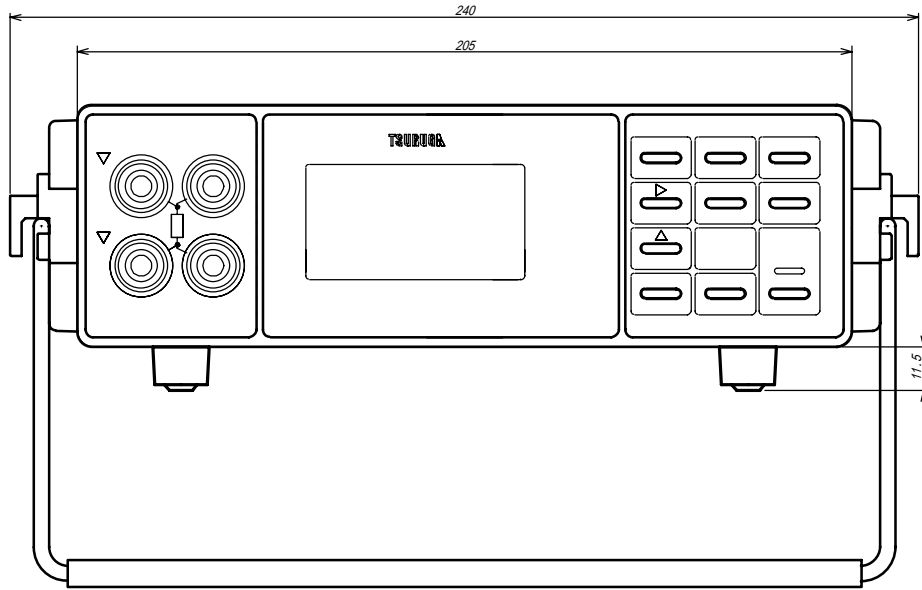


FC-01335

DRAWING No.



TSURUGA ELECTRIC CORPORATION. All rights reserved.

REVISED	DATE	Sep. 25, 2006	APPROVED BY	TITLE
	SCALE		CHECKED BY	
	DESIGNED BY		DRAWN BY	DRAWING No.
	TSURUGA ELECTRIC CORPORATION			FC-01335