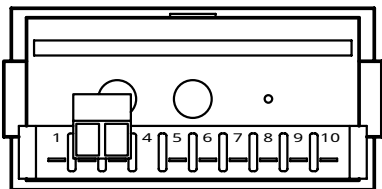


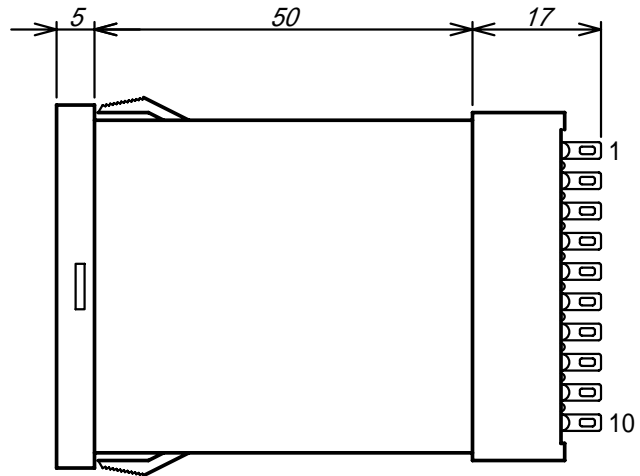
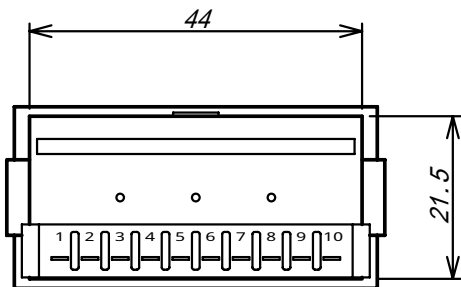
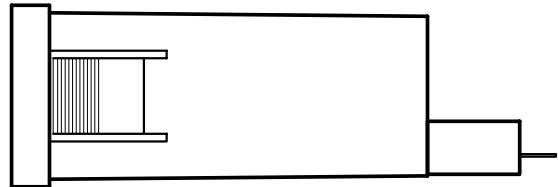
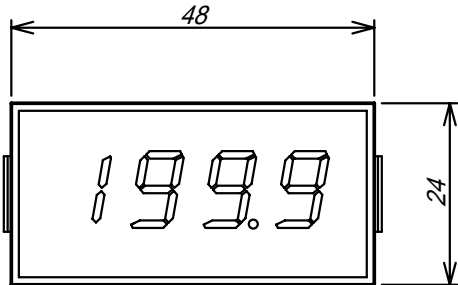
- A 0 1 アナログ出力



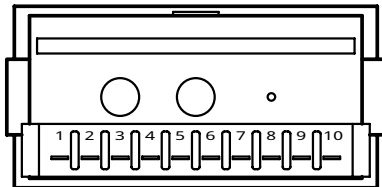
パネルカット寸法  $45^{+0.5} \times 22.2^{+0.3}$

TSURUGA ELECTRIC CORPORATION . All rights reserved.

REVISED	DATE	Jul. 17, 2000	APPROVED BY	TITLE	3 1 2 6 - 0 熱電温度計
	SCALE		CHECKED BY	DRAWING No.	
	DESIGNED BY		DRAWN BY	FB-00518	1/1
	TSURUGA ELECTRIC CORPORATION				



- A 0 1 アナログ出力



パネルカット寸法  $45^{+0.5} \times 22.2^{+0.3}$

TSURUGA ELECTRIC CORPORATION . All rights reserved.

REVISED

DATE *Dec. 8, 2000*

APPROVED BY

TITLE  
3 1 2 6 - 1 \*  
抵抗温度計

SCALE

CHECKED BY

DESIGNED BY

DRAWN BY

DRAWING No.

TSURUGA ELECTRIC CORPORATION

FB-00534