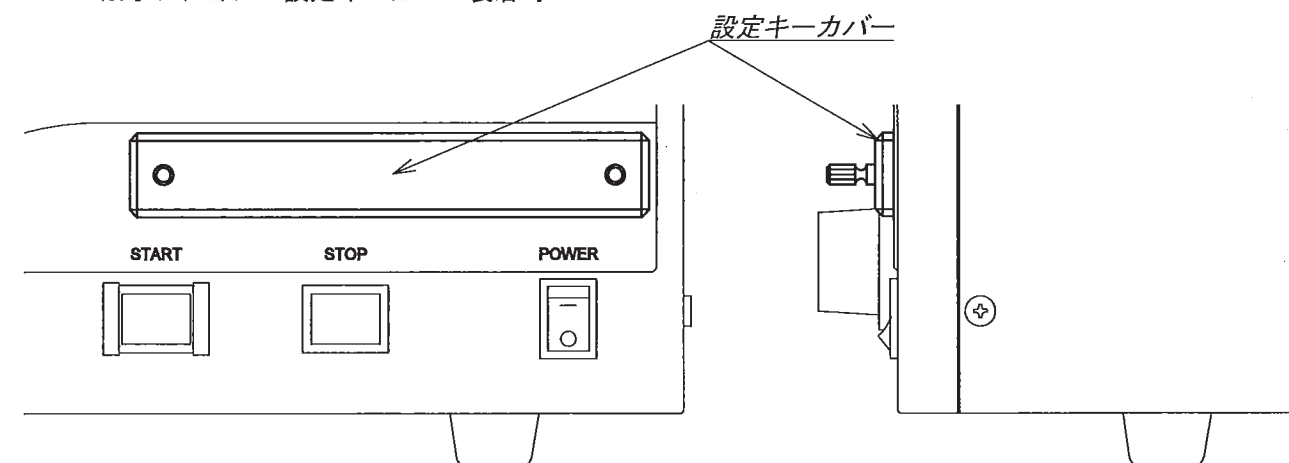


※オプション：設定キーカバー装着時



REVISED	DATE	Jan. 23. 2013	APPROVED BY	K. Kumano	TITLE	W/I AUTO TESTER
	SCALE		CHECKED BY	S. Hayashi	8505	
	DESIGNED BY	A. Daigo	DRAWN BY	A. Daigo	DRAWING No.	FC-01602-1
1. 部品変更、外形変更、シルク変更 Sep. 18. 2015 大迫					TSURUGA ELECTRIC CORPORATION	