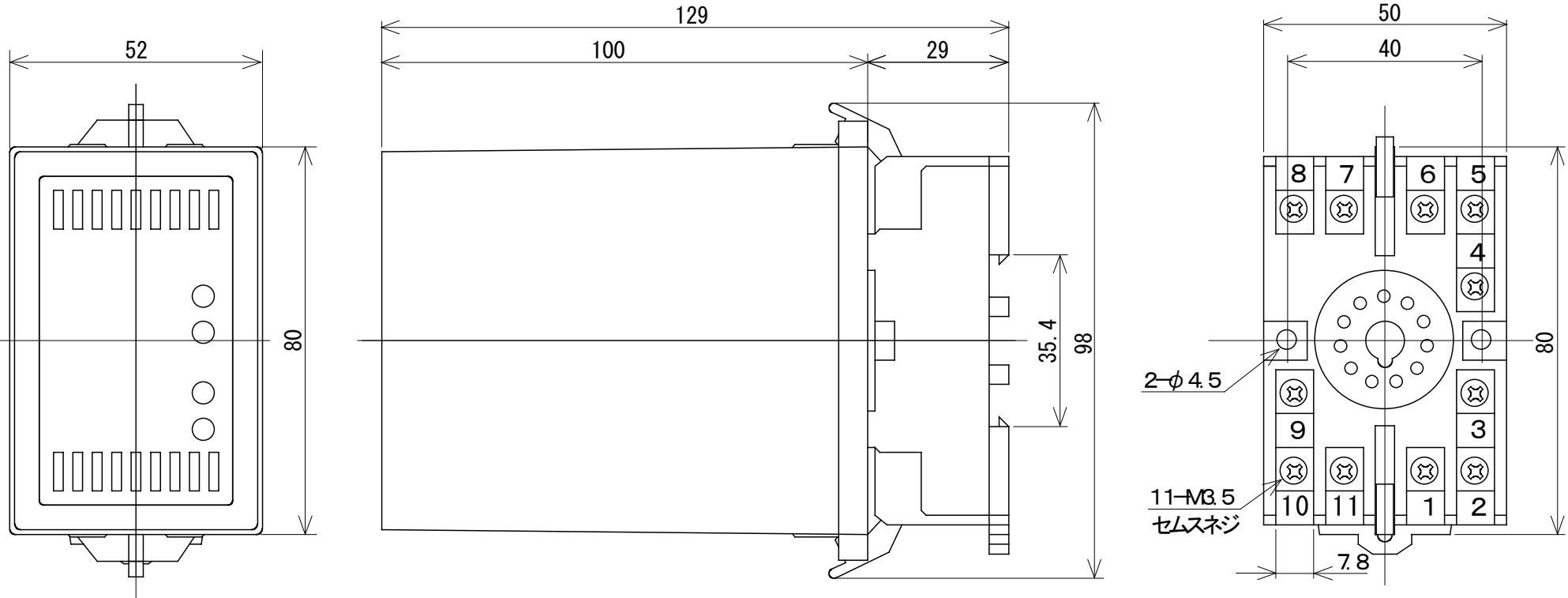


単位 : mm

TSURUGA ELECTRIC CORPORATION. All right reserved.

|                              |          |          |       |
|------------------------------|----------|----------|-------|
| REVISED                      | DATE     | APPROVED | TITLE |
|                              | SCALE    | CHECKED  | 7662S |
|                              | DESIGNED | DRAWN    |       |
|                              | BY       |          | BY    |
| TSURUGA ELECTRIC CORPORATION |          |          |       |



単位 : mm

TSURUGA ELECTRIC CORPORATION. All right reserved.

|                              |          |          |       |
|------------------------------|----------|----------|-------|
| REVISED                      | DATE     | APPROVED | TITLE |
|                              | SCALE    | CHECKED  | 7662W |
|                              | DESIGNED | DRAWN    |       |
|                              | BY       |          | BY    |
| TSURUGA ELECTRIC CORPORATION |          |          |       |