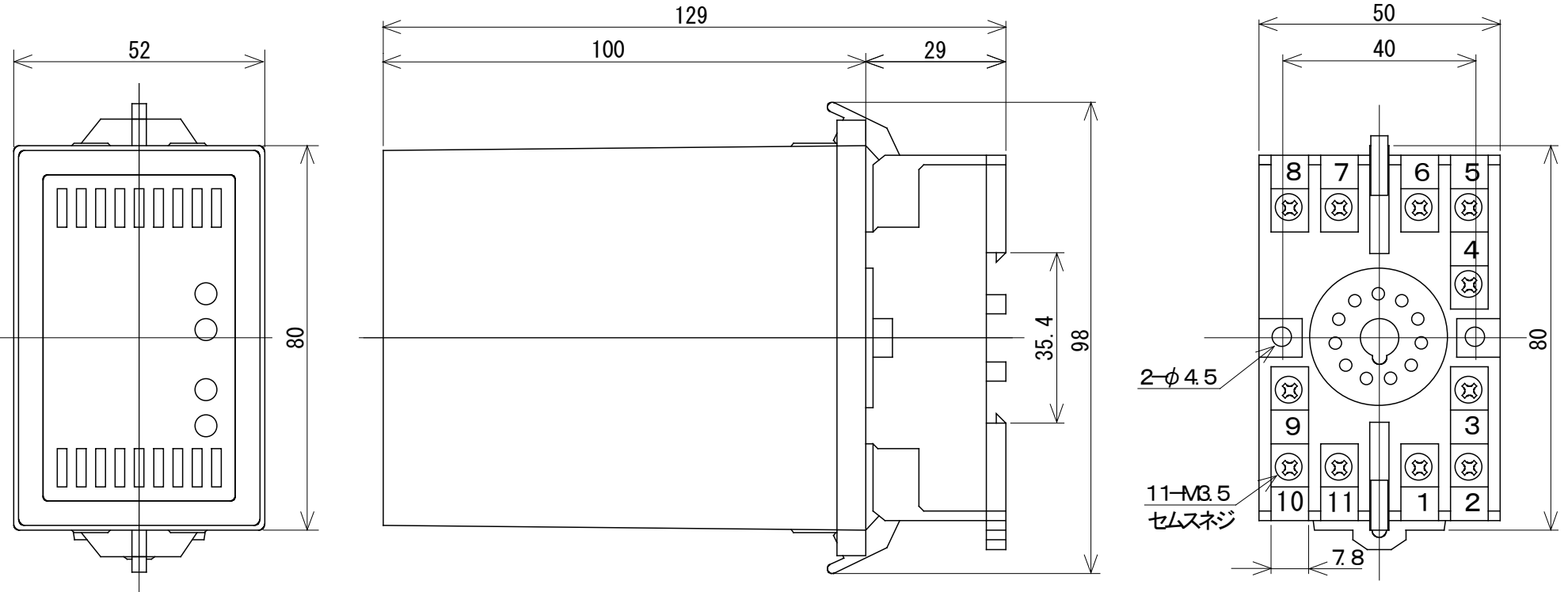


単位 : mm

TSURUGA ELECTRIC CORPORATION. All right reserved.

| | | | |
|---------|------------------------------|-------------|-------------|
| REVISED | DATE | APPROVED BY | TITLE |
| | SCALE | CHECKED BY | 7632S |
| | DESIGNED BY | DRAWN BY | DRAWING No. |
| | TSURUGA ELECTRIC CORPORATION | | |



単位 : mm

TSURUGA ELECTRIC CORPORATION. All right reserved.

| | | | |
|------------------------------|----------|----------|-------------|
| REVISED | DATE | APPROVED | TITLE |
| | SCALE | CHECKED | 7632W |
| | DESIGNED | DRAWN | |
| | BY | | DRAWING No. |
| TSURUGA ELECTRIC CORPORATION | | | |