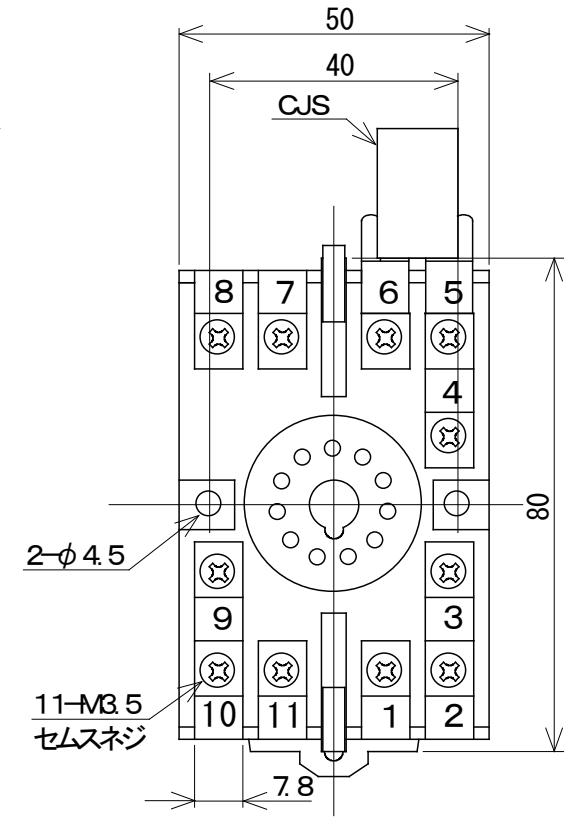
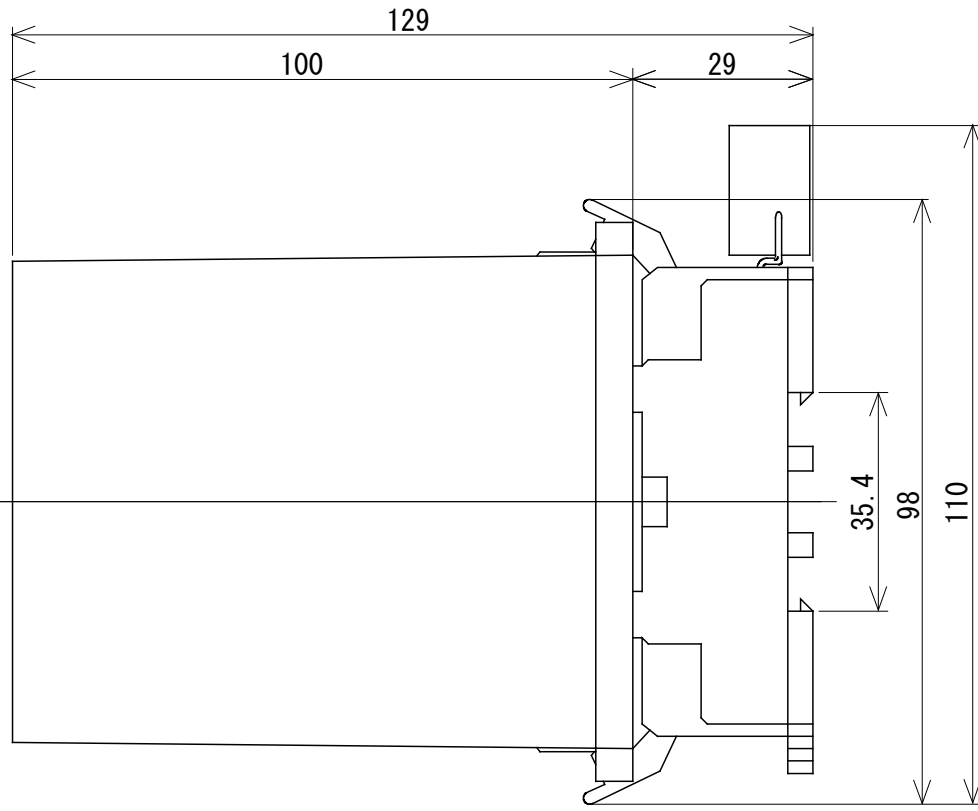
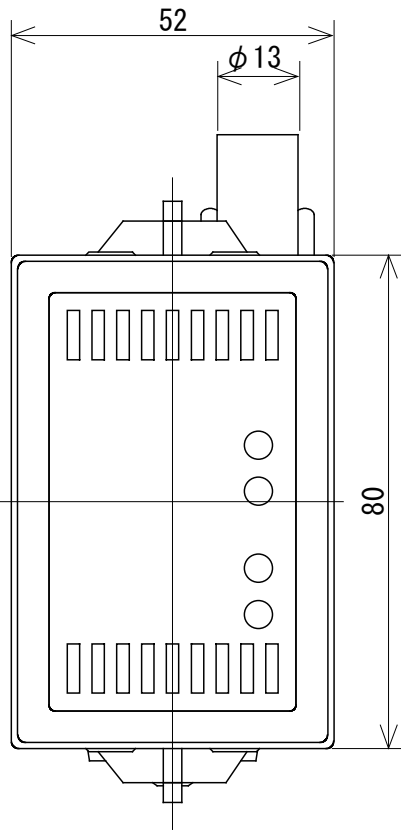


単位 : mm

TSURUGA ELECTRIC CORPORATION. All right reserved.

REVISED	DATE	APPROVED	TITLE
	SCALE	CHECKED	
	DESIGNED	DRAWN	DRAWING No.
	TSURUGA ELECTRIC CORPORATION		



単位 : mm

TSURUGA ELECTRIC CORPORATION. All right reserved.

REVISED	DATE	APPROVED	TITLE
	SCALE	CHECKED	
	DESIGNED	DRAWN	DRAWING No.
		TSURUGA ELECTRIC CORPORATION	