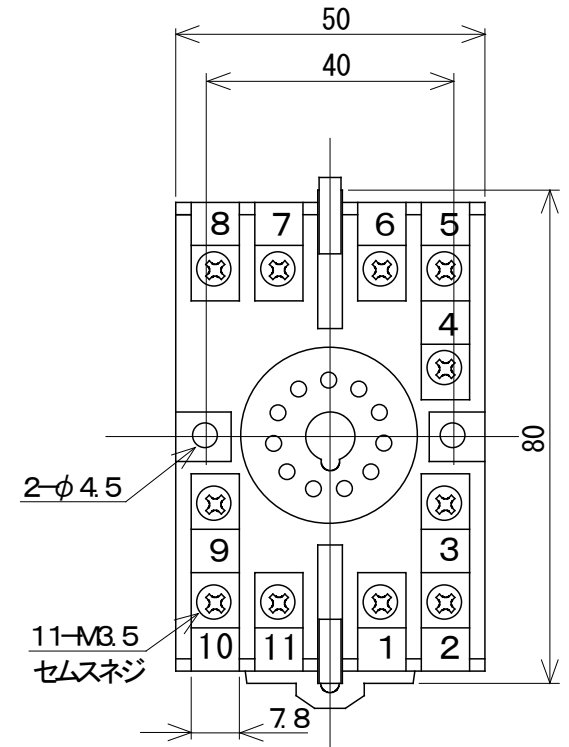
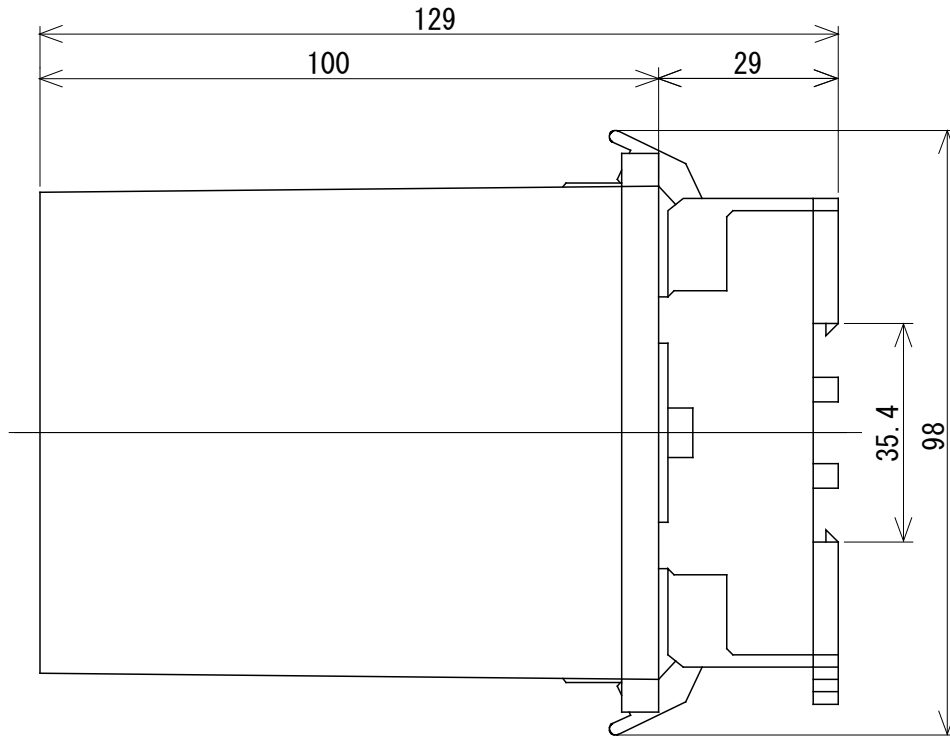
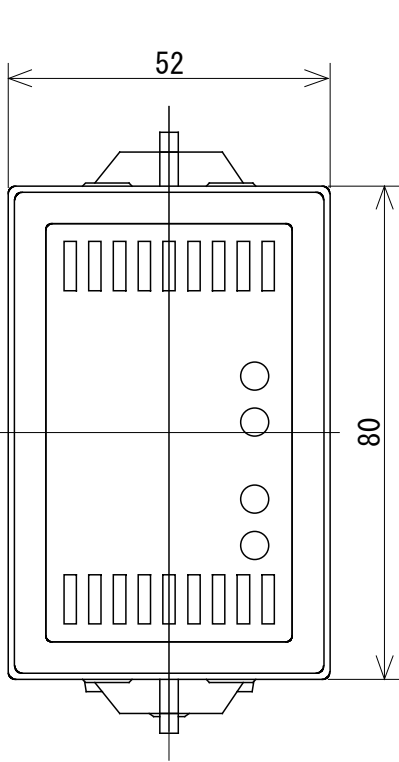


単位 : mm

TSURUGA ELECTRIC CORPORATION. All right reserved.

REVISED	DATE	APPROVED	TITLE
	SCALE	CHECKED	7616S
	DESIGNED	DRAWN	
	BY		DRAWING No.
TSURUGA ELECTRIC CORPORATION			



単位 : mm

TSURUGA ELECTRIC CORPORATION. All right reserved.

REVISED	DATE	APPROVED	TITLE
	SCALE	CHECKED	7616W
	DESIGNED	DRAWN	
	TSURUGA ELECTRIC CORPORATION		