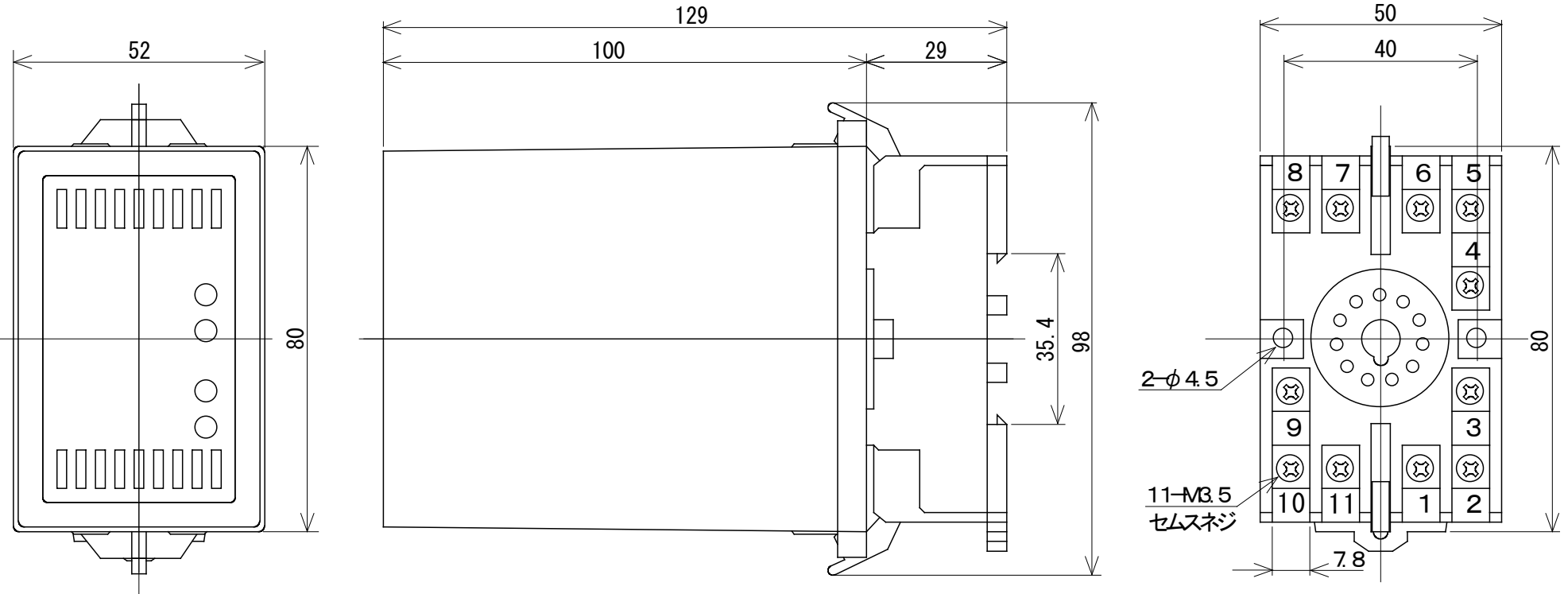


単位 : mm

TSURUGA ELECTRIC CORPORATION. All right reserved.

REVISED	DATE	APPROVED	TITLE
	SCALE	CHECKED	7612S
DESIGNED	DRAWN	DRAWING No.	
TSURUGA ELECTRIC CORPORATION			



単位 : mm

TSURUGA ELECTRIC CORPORATION. All right reserved.

REVISED	DATE	APPROVED	TITLE
	SCALE	CHECKED	7612W
	DESIGNED	DRAWN	
	BY		BY
TSURUGA ELECTRIC CORPORATION			