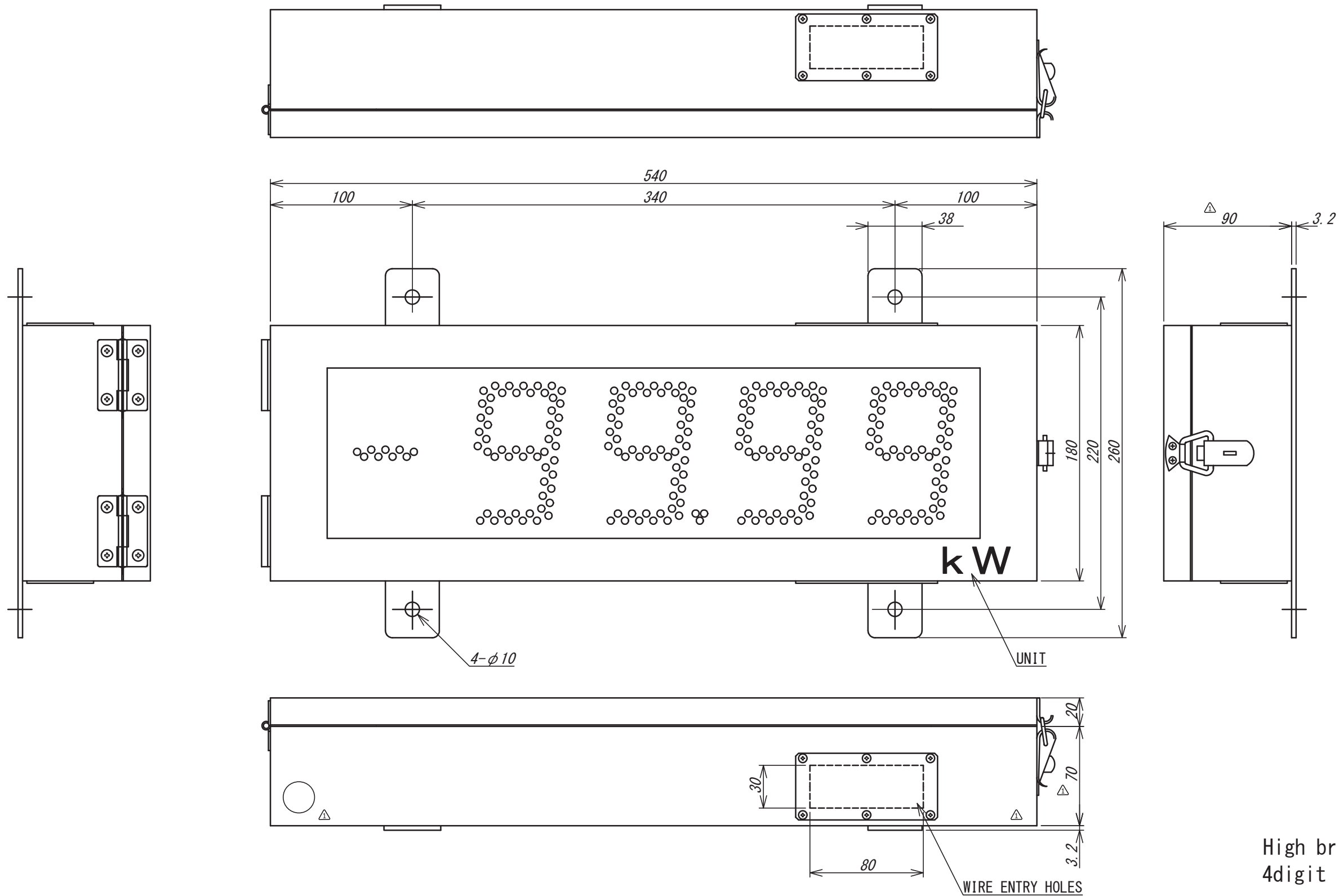


TSURUGA ELECTRIC CORPORATION All Rights Reserved.

REVISED	DATE	Nov. 15, 2011	APPROVED BY	TITLE	
	SCALE		CHECKED BY		3018 (Analog Input)
	DESIGNED BY	H. Matsunami	DRAWN BY	H. Matsunami	DRAWING No.
	TSURUGA ELECTRIC CORPORATION			FC-01545-1	1/1

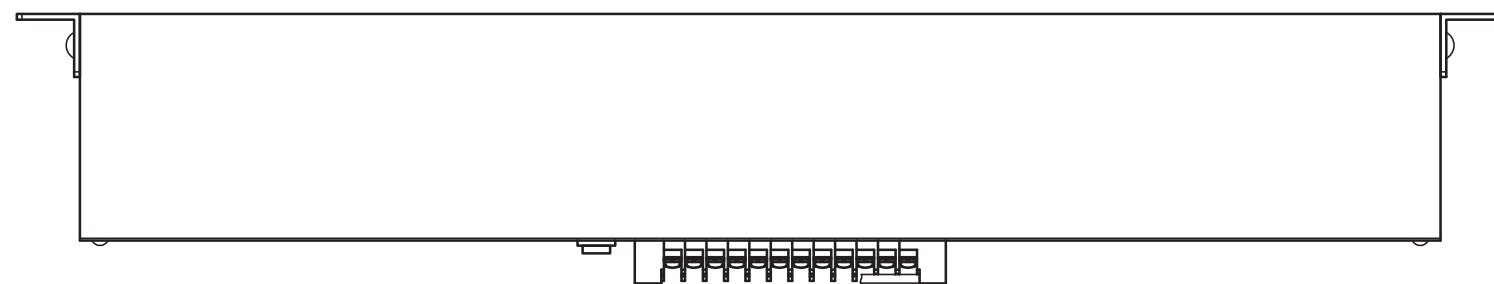
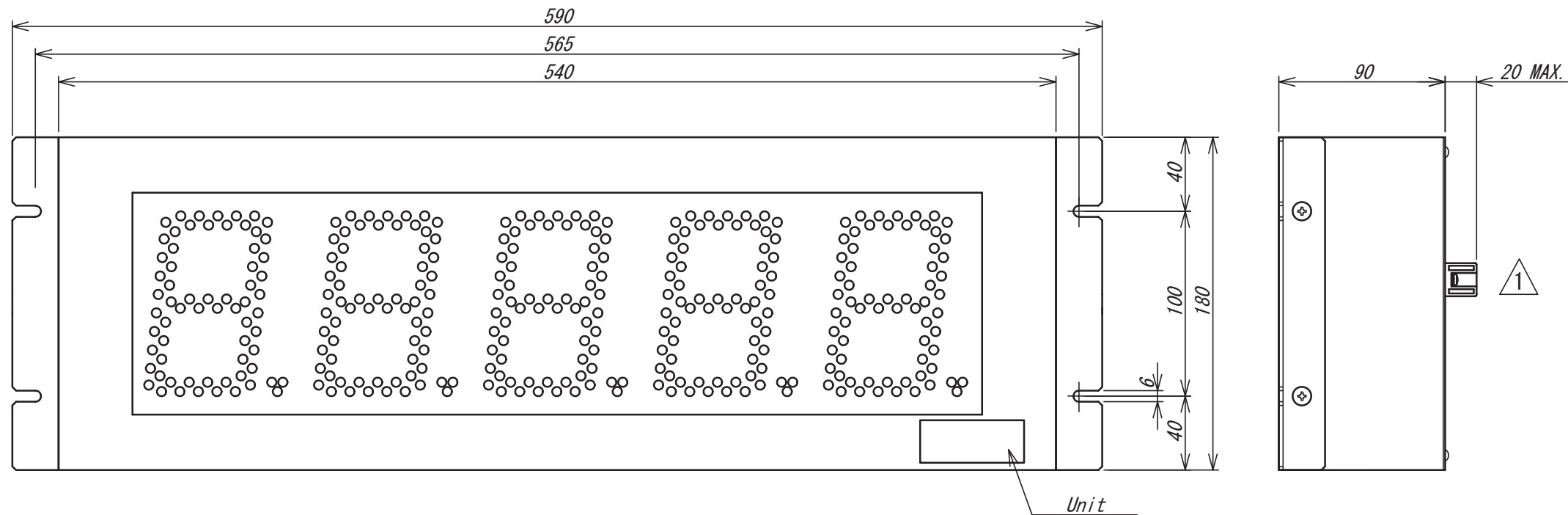
△2021/02/19 Y. MORIKANE



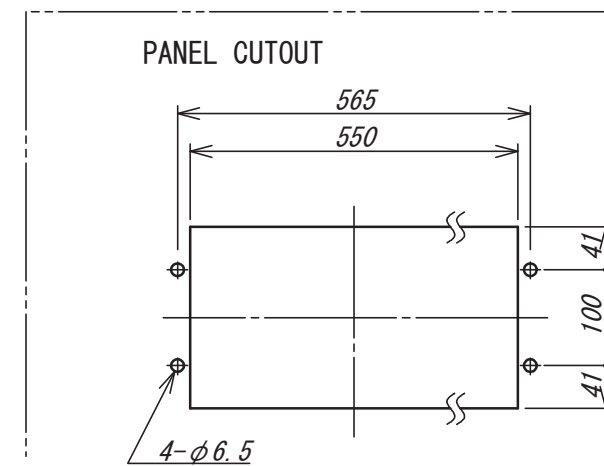
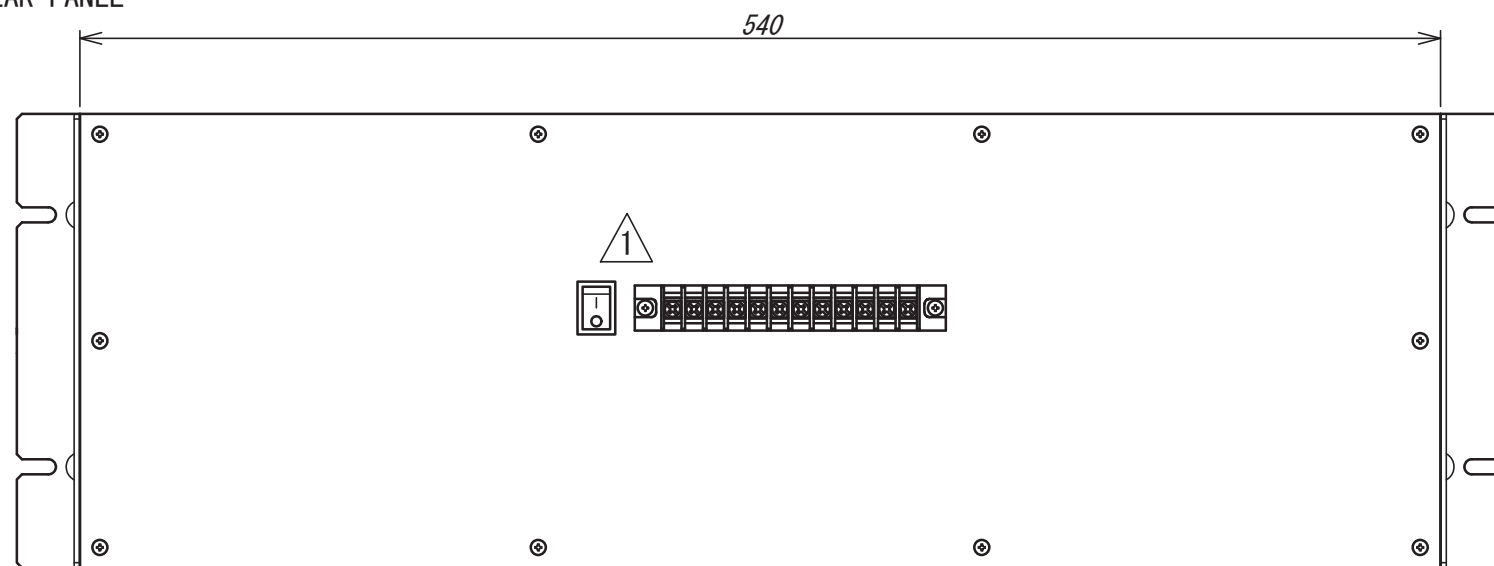
High brightness
4digit

TSURUGA ELECTRIC CORPORATION All Rights Reserved.

REVISED	DATE	Dec. 5, 2011	APPROVED BY	TITLE
	SCALE		CHECKED BY	
	DESIGNED BY	H. Matsunami	DRAWN BY	3018 BCD Input
	TSURUGA ELECTRIC CORPORATION			DRAWING No.
△2021/02/19 Y. MORIKANE				



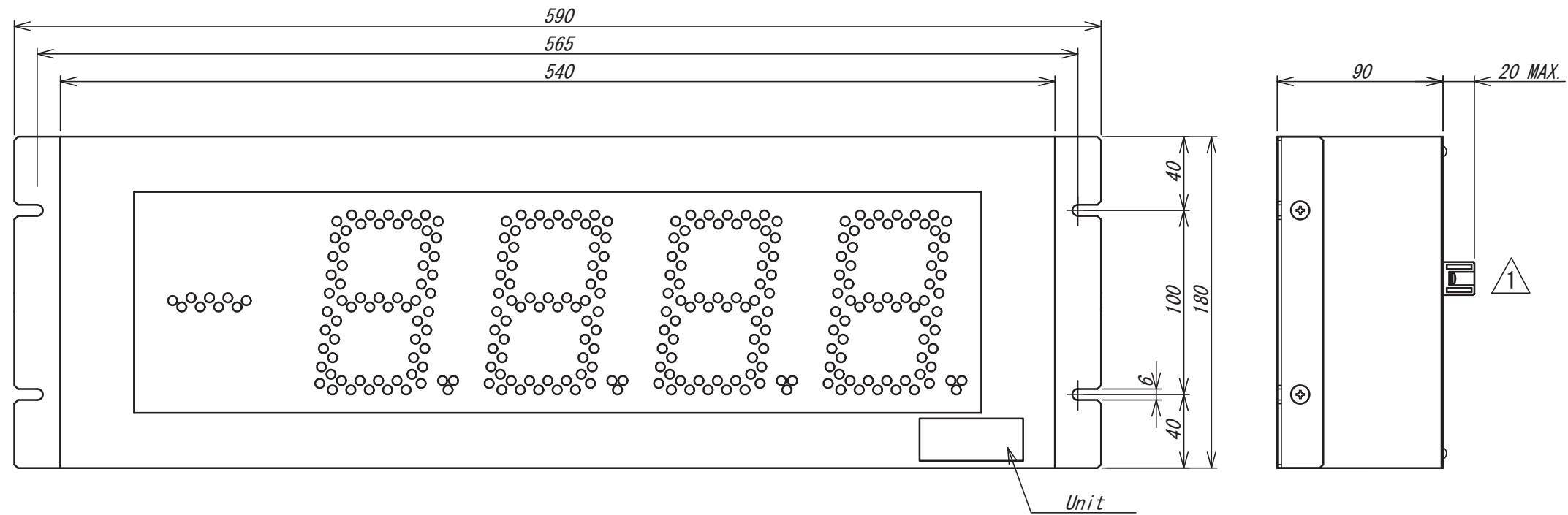
REAR PANEL



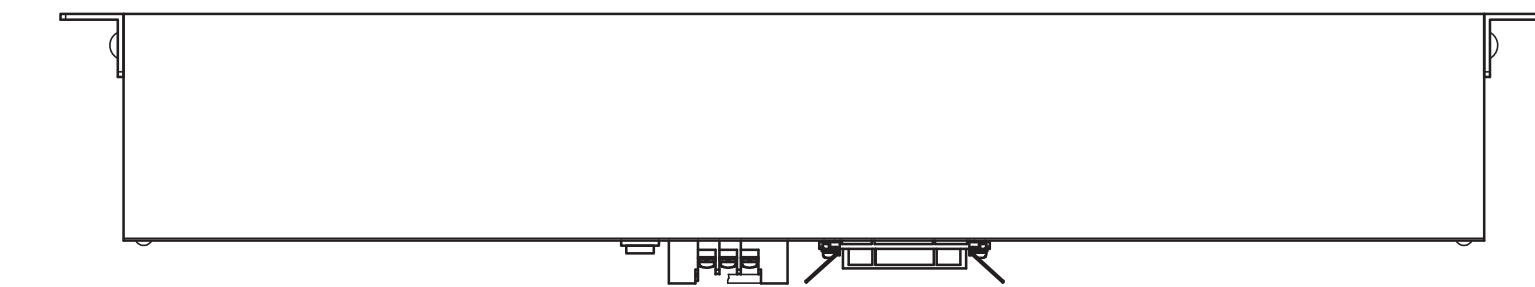
TSURUGA ELECTRIC CORPORATION All rights reserved.

REVISED	DATE	2021/07/12	APPROVED BY	TITLE
	CHECKED BY			3018 Analog input Panel mount type
	SCALE		DRAWN BY	DRAWING No.
TSURUGA ELECTRIC CORPORATION				FC-01764-1 ¹ / ₂

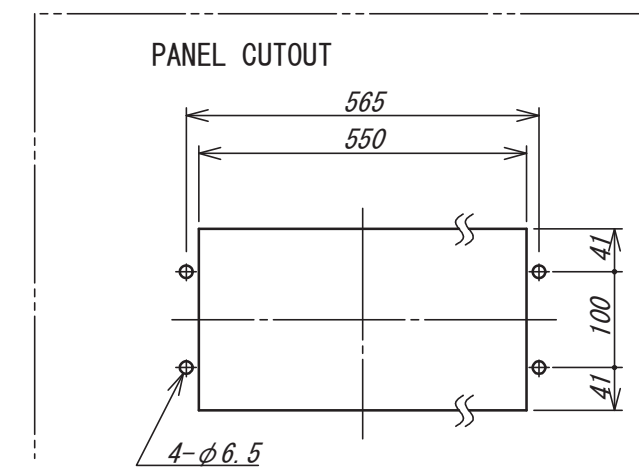
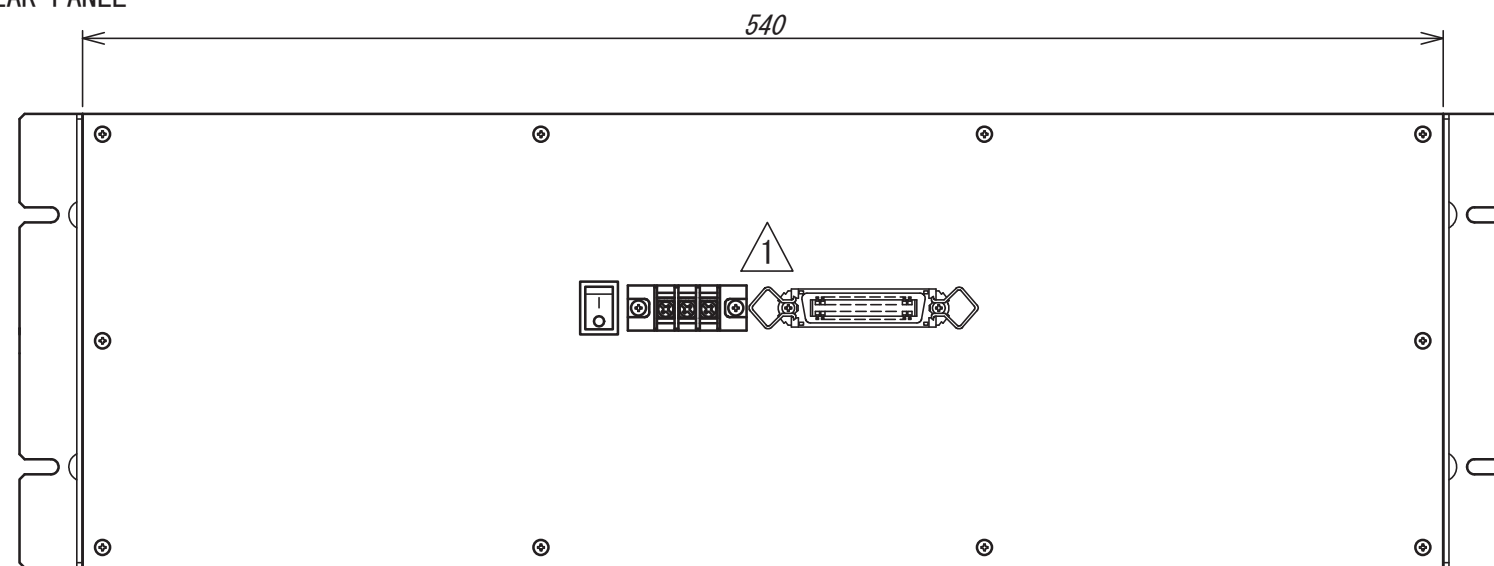
△2022.3.14 端子台等の配置修正 H.Mitsumoto



4-digit display



REAR PANEL



TSURUGA ELECTRIC CORPORATION All rights reserved.

REVISED	DATE	2021/07/12	APPROVED BY	TITLE
	CHECKED BY			3018 BCD input Panel mount type
	SCALE		DRAWN BY	DRAWING No.
	TSURUGA ELECTRIC CORPORATION			FC-01764-1 2/2